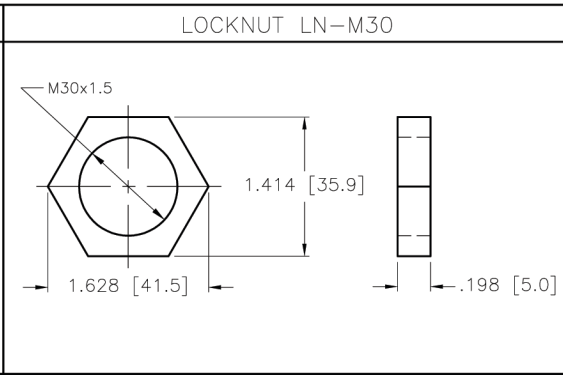
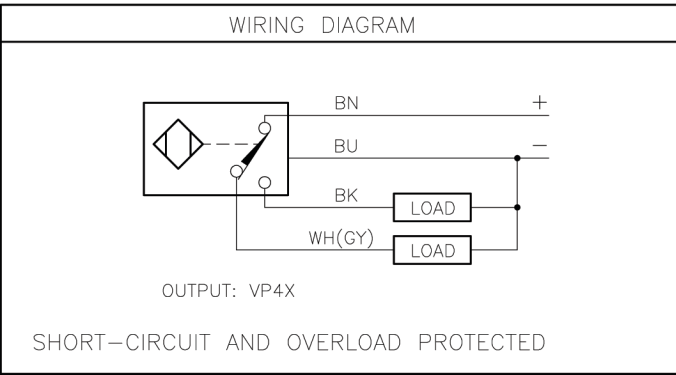


Inductive Sensors

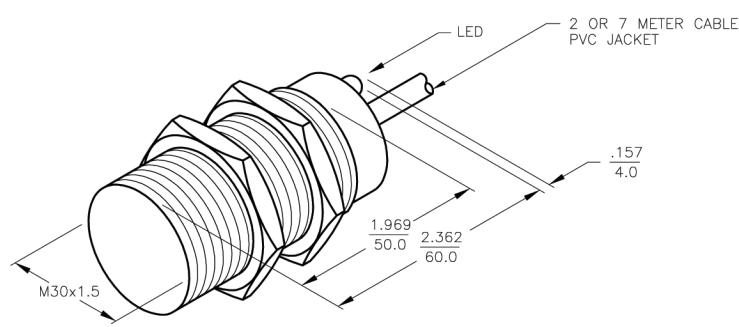


Housing Style	Part Number	ID Number	Features	Sensing Range (mm)	Output
30 mm - Embeddable, Potted-In Cable 	Bi 10-M30-AD4X	T4417000		10	2-Wire DC
	Bi 12-M30-AD4X	T4417035	<i>Extended Range</i>	12	
	Bi 10-EM30-AN6XLD	T4617109	<i>Load Dump</i>	10	3-Wire DC NPN
	Bi 10U-EM30-AN6X	M1636320	<i>Uprox</i>	10	
	Bi 10U-M30-AN6X	M1636120	<i>Uprox</i>	10	
	Bi 15-M30-AN6X	T4618620	<i>Extended Range</i>	15	
	Bi 10-M30-AN6X	T4617691		10	
	Bi 10-EM30-AP6XLD	T4617003	<i>Load Dump</i>	10	3-Wire DC PNP
	Bi 10-M30-AP6X/S100	M4617004	<i>High Temp. 100°C</i>	10	
	Bi 10U-EM30-AP6X	M1636300	<i>Uprox</i>	10	
	Bi 10U-M30-AP6X	M1636100	<i>Uprox</i>	10	
	Bi 15-M30-AP6X	T4618530	<i>Extended Range</i>	15	
	Bi 10-M30-VN4X	T1571400	<i>Comp. Outputs</i>	10	4-Wire DC NPN
	Bi 15-M30-VN4X	T4570712	<i>Extended Range</i>	15	
	Bi 10-M30-VP4X	T1561400	<i>Comp. Outputs</i>	10	4-Wire DC PNP
Bi 15-M30-VP4X	T4570713	<i>Extended Range</i>	15		
	Bi 10U-MT30-ADZ30X2	M4209430	<i>Uprox</i>	10	2-Wire AC/DC Short-Circuit Protected
30 mm - Embeddable, Potted-In Cable 	Bi 10NF-M30-AN6X	M1616100	<i>Nonferrous</i>	10	3-Wire DC NPN
	Bi 10NF-M30-AP6X	M1606100	<i>Nonferrous</i>	10	3-Wire DC PNP
30 mm - Embeddable, Potted-In Cable 	Bi 12-EM30WD-AN6X	M4614543	<i>Washdown</i>	12	3-Wire DC NPN
	Bi 12-EM30WD-AP6X	M4614540	<i>Washdown</i>	12	3-Wire DC PNP

Voltage	Switching Freq. (Hz)	Operating Current (mA) AC/DC	Operating Temp. (°C)	Protection	Housing	Face	End Cap	Power LED	Output LED	Cable Length/ Cable Mat.	Wiring Diagram #	Wiring Diagrams
10-65 VDC	500	≤100	-25 to +70	IP 67	CPB	PA 12	EPTR	N/A	YE	2M/PVC	1	Diagram 1
	400	≤100	-25 to +70	IP 67	CPB	PA 12	EPTR	N/A	YE	2M/PVC	1	
10-30 VDC	500	≤200	-25 to +70	IP 67	SS	PA 12	EPTR	N/A	YE	2M/PVC	2	Diagram 2
	2000	≤200	-30 to +85	IP 68	SS	PA 12	EPTR	N/A	YE	2M/PVC	2	
	2000	≤200	-30 to +85	IP 67	CPB	PA 12	EPTR	N/A	YE	2M/PVC	2	
	500	≤200	-25 to +70	IP 67	CPB	PA 12	EPTR	N/A	YE	2M/PVC	2	
10-30 VDC	500	≤200	-25 to +70	IP 67	SS	PA 12	EPTR	N/A	YE	2M/PVC	3	Diagram 3
	500	≤200	-25 to +100	IP 67	CPB	IRPA	EPTR	N/A	YE	2M/PVC	3	
	2000	≤200	-30 to +85	IP 68	SS	PA 12	EPTR	N/A	YE	2M/PVC	3	
	2000	≤200	-30 to +85	IP 67	CPB	PA 12	EPTR	N/A	YE	2M/PVC	3	
	500	≤200	-25 to +70	IP 67	CPB	PA 12	EPTR	N/A	YE	2M/PVC	3	
10-65 VDC	500	≤200	-25 to +70	IP 67	CPB	PA 12	EPTR	N/A	YE	2M/PVC	4	Diagram 4
	500	≤200	-25 to +70	IP 67	CPB	PA 12	EPTR	N/A	YE	2M/PVC	4	
10-65 VDC	500	≤200	-25 to +70	IP 67	CPB	PA 12	EPTR	N/A	YE	2M/PVC	5	Diagram 5
	500	≤200	-25 to +70	IP 67	CPB	PA 12	EPTR	N/A	YE	2M/PVC	5	
20-250 VAC 10-300 VDC	20	≤400/300	-25 to +70	IP 67	TC	TC		GN	RD	2M/PUR	6	Diagram 6
10-30 VDC	500	≤200	0 to +60	IP 67	CPB	PA 12	EPTR	N/A	YE	2M/PVC	2	
	10-30 VDC	500	≤200	0 to +60	IP 67	CPB	PA 12	EPTR	N/A	YE	2M/PVC	3
10-30 VDC		1000	≤200	-25 to +85	IP 68, 69K	SS	PVDF	EPTR	N/A	YE	2M/PUR	2
	10-30 VDC	1000	≤200	-25 to +85	IP 68, 69K	SS	PVDF	EPTR	N/A	YE	2M/PUR	3



SPECIFICATIONS	
OPERATING VOLTAGE	10-65 VDC
RIPPLE	≤ 10%
DIFFERENTIAL TRAVEL (HYSTERESIS)	3-15% (5% TYPICAL)
VOLTAGE DROP ACROSS CONDUCTING SENSOR	≤ 1.8 V at 200 mA
OUTPUT FUNCTION	COMPLEMENTARY OUTPUT ONE N.O., ONE N.C. (SPDT)
TTL COMPATIBLE	NO
SHORT-CIRCUIT PROTECTED	YES
TRIGGER CURRENT FOR OVERLOAD PROTECTION	≥ 220 mA
CONTINUOUS LOAD CURRENT	≤ 200 mA
OFF-STATE (LEAKAGE) CURRENT	< 10 μ A
NO-LOAD CURRENT	4.0-9.5 mA
TIME DELAY BEFORE AVAILABILITY	≤ 8 ms
POWER-ON EFFECT PROTECTION	INCORPORATED
POLARITY INVERSION PROTECTION	INCORPORATED
WIRE BREAK PROTECTION	INCORPORATED
PROTECTION AGAINST TRANSIENTS	2 kV, 1 ms, 1 μ
OPERATING TEMPERATURE	-25°C to +70°C (-13°F to +158°F)
ENCLOSURE	MEETS NEMA 1, 3, 4, 6, 13 AND IEC IP67
SHOCK	30 g, 11 ms
VIBRATION	55 Hz, 1 mm AMPLITUDE (IN ALL 3 PLANES)
LED FUNCTION	RED: OUTPUT ENERGIZED
RATED OPERATING DISTANCE(Sn)	10 mm = .394" (NOMINAL)
SWITCHING FREQUENCY	500 Hz
REPEATABILITY	≤ 2% of RATED OPERATING DISTANCE
EMBEDDABLE (SHIELDED)	YES



RELATED DOCUMENTS		3RD ANGLE PROJECTION		THIS DRAWING IS PROPERTY OF TURCK INC. USE OF THIS DOCUMENT WITHOUT WRITTEN PERMISSION IS PROHIBITED.		TURCK INC High Technology Sensors and Automation Controls	
1. 2. 3. 4.				DRFT	IK	DATE	01/25/99
MATERIAL				TOLERANCES UNLESS OTHERWISE SPECIFIED		DSGN	SCALE
BRASS BARREL COPPER/NICKEL/		.X ±0.02 .XX ±0.01 .XXX ±0.005 ANGLES ±1°		UNIT OF MEASUREMENT		DESCRIPTION	
FINISH		CHROME PLATING		INCH [MILLIMETER]		B110-M30-VP4X	
A		DRAWING RELEASE		DO NOT SCALE THIS DRAWING		IDENTIFICATION NO.	
REV		DESCRIPTION		FILE: T1561400		T1561400	
IK		01/25/99		SHEET 1 OF 1		REV	
B2694		ECO NO.		A			

A	DRAWING RELEASE	IK	01/25/99	B2694
REV	DESCRIPTION	BY	DATE	ECO NO.