



Level



Pressure



Flow



Temperature

Liquid  
Analysis

Registration

Systems  
Components

Services



Solutions

## Technical Information

# Cerabar S PMC71, PMP71, PMP75

Process pressure measurement

Pressure transmitter with ceramic and metal sensors

Overload-resistant and function-monitored; Communication via HART, PROFIBUS PA or FOUNDATION Fieldbus



### Application

The Cerabar S pressure transmitter is used for the following measuring tasks:

- Absolute pressure and gauge pressure in gases, steams or liquids in all areas of process engineering and process measurement technology
- Level, volume or mass measurements in liquids
- High process temperature
  - without diaphragm seals up to 150 °C (302 °F)
  - with typical diaphragm seals up to 400 °C (752 °F)
- High pressure up to 700 bar (10500 psi)
- International usage thanks to a wide range of approvals



### Your benefits

- Very good reproducibility and long-term stability
- High reference accuracy: up to  $\pm 0.075\%$ , as PLATINUM version:  $\pm 0.05\%$
- Turn down up to 100:1, higher on request
- Used for process pressure monitoring up to SIL3, certified to IEC 61508 by TÜV SÜD
- HistoROM<sup>®</sup>/M-DAT memory module
- Function-monitored from the measuring cell to the electronics
- Continuous modularity for differential pressure, hydrostatics and pressure (Deltabar S – Deltapilot S – Cerabar S), e.g.
  - replaceable display
  - universal electronics
- Quick commissioning with Quick Setup menu
- Menu-guided operation
- Extensive diagnostic functions
- Device versions compliant with ASME-BPE

## Table of contents

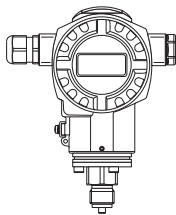
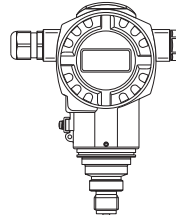
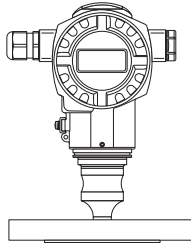
<b>Function and system design</b> . . . . .	<b>4</b>	<b>Operating conditions (Installation)</b> . . . . .	<b>24</b>
Device selection . . . . .	4	General installation instructions . . . . .	24
Measuring principle . . . . .	5	Measuring arrangement for devices without diaphragm seals – PMC71, PMP71 . . . . .	24
Level measurement (level, volume and mass) . . . . .	6	Heat insulation – PMC71 high-temperature version . . . . .	24
Communication protocol . . . . .	6	Measuring arrangement for devices with diaphragm seals – PMP75 . . . . .	25
<b>Input</b> . . . . .	<b>7</b>	Wall and pipe-mounting . . . . .	25
Measured variable . . . . .	7	"Separate housing" version . . . . .	25
Measuring range . . . . .	7	Turning the housing . . . . .	26
Explanation of terms . . . . .	9	Oxygen applications . . . . .	27
<b>Output</b> . . . . .	<b>10</b>	Silicone-free applications . . . . .	27
Output signal . . . . .	10	Ultrapure gas applications . . . . .	27
Signal range – 4 to 20 mA HART . . . . .	10	Applications with hydrogen . . . . .	27
Signal on alarm . . . . .	10	<b>Operating conditions (Environment)</b> . . . . .	<b>28</b>
Load – 4 to 20 mA HART . . . . .	10	Ambient temperature range . . . . .	28
Resolution . . . . .	11	Storage temperature range . . . . .	28
Dead time, time constant . . . . .	11	Degree of protection . . . . .	28
Dynamic behavior, current output . . . . .	11	Climate class . . . . .	28
Dynamic behavior, HART . . . . .	11	Vibration resistance . . . . .	28
Dynamic behavior, PROFIBUS PA . . . . .	12	Electromagnetic compatibility . . . . .	29
Dynamic behavior, FOUNDATION Fieldbus . . . . .	12	Overvoltage protection (optional) . . . . .	29
Damping . . . . .	12	<b>Operating conditions (Process)</b> . . . . .	<b>30</b>
Data of the FOUNDATION Fieldbus interface . . . . .	13	Process temperature limits . . . . .	30
<b>Power supply</b> . . . . .	<b>15</b>	Pressure specifications . . . . .	31
Electrical connection . . . . .	15	<b>Mechanical construction</b> . . . . .	<b>32</b>
Supply voltage . . . . .	18	Dimensions of T14 housing, optional display on the side . . . . .	32
Current consumption . . . . .	18	Dimensions of T17 housing (hygienic), optional display on the side . . . . .	32
Cable entry . . . . .	18	Process connections PMC71 (with ceramic process isolating diaphragm) . . . . .	33
Cable specification . . . . .	18	Process connections PMP71 (with metal process isolating diaphragm) . . . . .	40
Residual ripple . . . . .	18	PMP75 basic device . . . . .	47
Influence of power supply . . . . .	18	Process connections PMP75 (with diaphragm seal) . . . . .	47
<b>Performance characteristics – general</b> . . . . .	<b>19</b>	Wall and pipe mounting with mounting bracket . . . . .	60
Reference operating conditions . . . . .	19	Weight . . . . .	60
Uncertainty of measurement for small absolute pressure ranges . . . . .	19	Material (not wetted) . . . . .	61
Long-term stability . . . . .	19	Material (wetted) . . . . .	64
Influence of the installation position . . . . .	19	<b>Human interface</b> . . . . .	<b>65</b>
<b>Performance characteristics – ceramic process isolating diaphragm</b> . . . . .	<b>20</b>	Operating elements . . . . .	65
Reference accuracy – PMC71 . . . . .	20	Operating elements . . . . .	66
Total performance – PMC71 . . . . .	20	Local operation . . . . .	67
Total error – PMC71 . . . . .	20	Remote operation . . . . .	67
Warm-up period – PMC71 . . . . .	20	Hardware and software for onsite and remote operation . . . . .	68
Thermal change of the zero output and the output span – PMC71 . . . . .	21	<b>Planning instructions, diaphragm seal systems</b> . . . . .	<b>70</b>
<b>Performance characteristics – metal process isolating diaphragm</b> . . . . .	<b>22</b>	Applications . . . . .	70
Reference accuracy – PMP71, PMP75 . . . . .	22	Design and operation mode . . . . .	70
Total performance – PMP71 . . . . .	22	Diaphragm seal filling oils . . . . .	72
Total error – PMP71 . . . . .	23	Installation instructions . . . . .	72
Warm-up period – PMP71, PMP75 . . . . .	23		
Thermal change of the zero output and the output span – PMP71 and PMP75 . . . . .	23		

---

<b>Certificates and approvals</b> .....	<b>74</b>
CE mark .....	74
Ex approvals .....	74
Suitability for hygienic processes .....	74
Marine certificate .....	74
Functional safety SIL/ IEC 61508 Declaration of Conformity (optional) .....	74
Overfill protection .....	74
CRN approvals .....	74
Pressure Equipment Directive (PED) .....	74
Standards and guidelines .....	75
<b>Ordering information</b> .....	<b>76</b>
PMC71 .....	76
PMP71 .....	80
PMP75 .....	84
<b>Additional documentation</b> .....	<b>88</b>
Field of Activities .....	88
Technical Information .....	88
Operating Instructions .....	88
Brief Operating Instructions .....	88
Functional safety manual (SIL) .....	88
Safety Instructions .....	89
Installation/Control Drawings .....	90
Overfill protection .....	90

## Function and system design

### Device selection

<b>Cerabar S – Product family</b>	<b>PMC71</b>    <small>P01-PMC71xxx-16-xx-xx-xx-000</small>  <b>With capacitance measuring cell and ceramic process isolating diaphragm (Ceraphire®)</b>	<b>PMP71</b>    <small>P01-PMP71xxx-16-xx-xx-xx-000</small>  <b>With piezoresistive measuring cell and metal welded process isolating diaphragm</b>	<b>PMP75</b>    <small>P01-PMP75xxx-16-xx-xx-xx-000</small>  <b>With diaphragm seal</b>
Field of application	– Gauge pressure and absolute pressure – Level		
Process connections	– Diverse thread – DN 32 – DN 80 – ANSI 1 1/2" – 4" – JIS 50 A – 100 A	– Diverse thread – DN 25 – DN 80 – ANSI 1 1/2" – 4" – JIS 25 A – 100 A – Oval flange adapter – Prepared for diaphragm seal mount	– Wide range of diaphragm seals
Measuring ranges	From –100/0 to 100 mbar (–1.5/0 to 1.5 psi) to –1/0 to 40 bar (–15/0 to 600 psi)	From –100/0 to 100 mbar (–1.5/0 to 1.5 psi) to –1/0 to 700 bar (–15/0 to 10500 psi)	From –400/0 to 400 mbar (–6/0 to 6 psi) to –1/0 to 400 bar (–15/0 to 6000 psi)
OPL <sup>1</sup>	Max. 60 bar (900 psi)	Max. 1050 bar (15750 psi)	Max. 600 bar (9000 psi)
Process temperature range	–25 to +125 °C (–13 to +257 °F)/ –20 to +150 °C (–4 to 302 °F) <sup>2</sup>	–40 to +125 °C (–40 to +257 °C)	–70 to 400 °C (–94 to 752 °F) Dependent on the filling oil
Ambient temperature range	<ul style="list-style-type: none"> <li>■ Without LCD display: –40 to +85 °C (–40 to +185 °F)<sup>3</sup></li> <li>■ With LCD display: –20 to +70 °C (–4 to +158 °F)</li> <li>■ Separate housing: –20 to +50 °C (–4 to +122 °F)</li> <li>■ Diaphragm seal systems depending on the version</li> </ul>		
Reference accuracy	– Up to ±0.075 % of the set span – PLATINUM version: up to ±0.05 % of the set span		Up to ±0.075 % of the set span
Supply voltage	– Version for non-hazardous areas: 10.5 to 45 V DC – Ex ia: 10.5 to 30 V DC		
Output	4 to 20 mA with superimposed HART protocol, PROFIBUS PA or FOUNDATION Fieldbus		
Options	<ul style="list-style-type: none"> <li>– PMP71, PMP75: gold-rhodium coated process isolating diaphragm</li> <li>– PMP71, PMP75: NACE-compliant materials</li> <li>– PMC71, PMP71, PMP75: inspection certificate 3.1</li> <li>– HistoROM®/M-DAT memory module</li> <li>– Separate housing</li> </ul>		
Specialties	<ul style="list-style-type: none"> <li>– Metal-free measurement with PVDF connection</li> <li>– Special cleaning of the transmitter to remove paint-wetting substances, for use in paint shops</li> </ul>	<ul style="list-style-type: none"> <li>– Process connections with minimum oil volume</li> <li>– Gas-tight, elastomer-free</li> </ul>	<ul style="list-style-type: none"> <li>– Wide range of diaphragm seals</li> <li>– For high medium temperatures</li> <li>– Process connections with minimum oil volume</li> <li>– Completely welded versions</li> </ul>

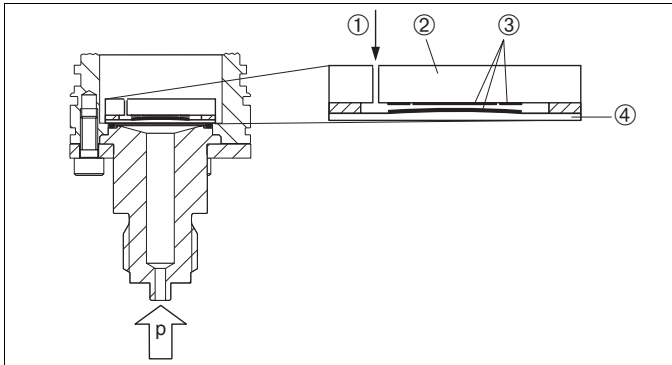
1) OPL: over pressure limit; dependent on the lowest-rated element, with regard to pressure, of the selected components

2) High-temperature version "T" for feature 100 "Additional option 1" or for feature 110 "Additional option 2"

3) PMP71 and PMP75: lower temperatures on request

**Measuring principle**

**Ceramic process isolating diaphragm used for PMC71 (Ceraphire®)**

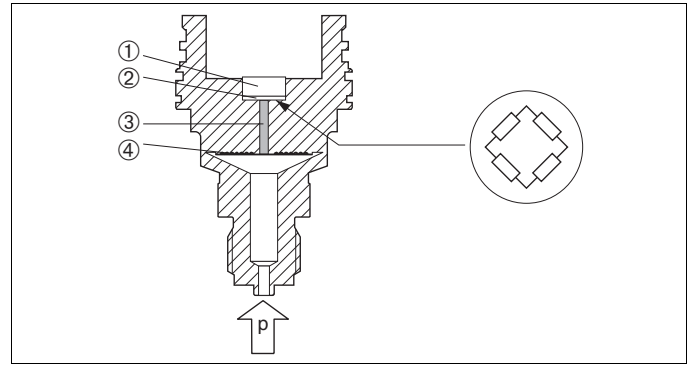


P01-PMC71xxxx-03-xx-xx-xx-000

*Ceramic sensor*

- 1 Air pressure (gauge pressure sensors)
- 2 Ceramic substrate
- 3 Electrodes
- 4 Ceramic process isolating diaphragm

**Metal process isolating diaphragm used for PMP71 and PMP75**



P01-PMP7xxxx-03-xx-xx-xx-000

*Metal sensor*

- 1 Silicon measuring element, substrate
- 2 Wheatstone bridge
- 3 Channel with fill fluid
- 4 Metal process isolating diaphragm

**Ceramic process isolating diaphragm used for PMC71 (Ceraphire®)**

The ceramic sensor is a dry sensor, i.e. the process pressure acts directly on the robust ceramic process isolating diaphragm and deflects it. A pressure-dependent change in capacitance is measured at the electrodes of the ceramic substrate and the process isolating diaphragm. The measuring range is determined by the thickness of the ceramic process isolating diaphragm.

Advantages:

- Guaranteed overload resistance up to 40 times the nominal pressure
- Thanks to ultrapure 99.9% ceramic (Ceraphire®, see also "www.endress.com/ceraphire")
  - extremely high chemical stability, comparable with Alloy
  - less relaxation
  - high mechanical stability
- Suitable for vacuums
- Secondary containment for enhanced integrity
- Process temperatures up to 150 °C (302 °F)

**Metal process isolating diaphragm used for PMP71 and PMP75**

*PMP71*

The operating pressure deflects the process isolating diaphragm and a fill fluid transfers the pressure to a resistance bridge (semiconductor technology). The pressure-dependent change in the bridge output voltage is measured and evaluated.

Advantages:

- Can be used for process pressures up to 700 bar (10500 psi) absolute pressure
- High long-term stability
- Guaranteed overload resistance up to 4 times the nominal pressure
- Secondary containment for enhanced integrity
- Significantly less thermal effect compared to diaphragm seal systems

*PMP75*

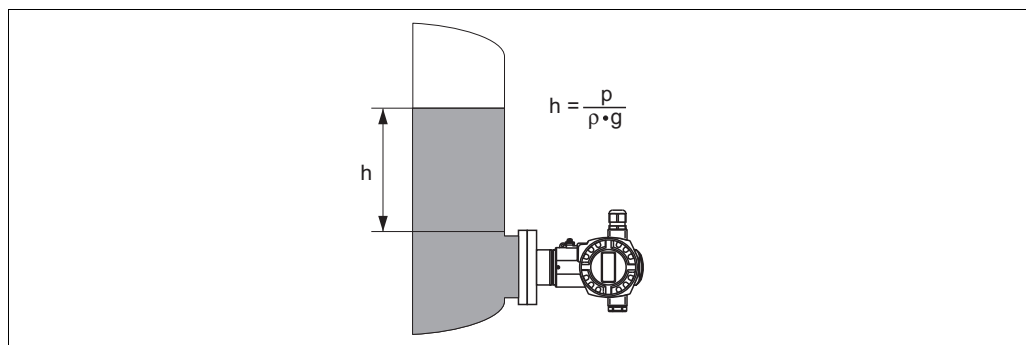
The operating pressure acts on the process isolating diaphragm of the diaphragm seal and is transferred to the process isolating diaphragm of the sensor by a diaphragm seal fill fluid. The process isolating diaphragm is deflected and a fill fluid transfers the pressure to a resistance measuring bridge. The pressure-dependent change in the bridge output voltage is measured and evaluated.

Advantages:

- Depending on the version, can be used for process pressures up to 400 bar (6000 psi) and extreme process temperatures
- High long-term stability
- Guaranteed overload resistance up to 4 times the nominal pressure
- Secondary containment for enhanced integrity

## Level measurement (level, volume and mass)

### Design and operation mode



P01-PMx7xxxx-15-xx-xx-xx-000

#### Level measurement

$h$	Height (level)
$p$	Pressure
$\rho$	Density of the medium
$g$	Gravitation constant

#### Your benefits

- Selection of the level operating mode which is optimum for your application in the device software.
- Volume and mass measurements in any tank shapes by means of a freely programmable characteristic curve.
- Choice of diverse level units with automatic unit conversion.
- A specific unit can be defined.
- Has a wide range of uses, even in the following cases:
  - in the event of foam formation
  - in tanks with agitators or screen fittings
  - in the event of liquid gases

## Communication protocol

- 4 to 20 mA with HART communication protocol
  - PROFIBUS PA
    - The Endress+Hauser devices meet the requirements of the FISCO model.
    - Due to the low current consumption of  $13 \text{ mA} \pm 1 \text{ mA}$ , the following number of devices can be operated on one bus segment if installing as per FISCO:
      - up to 7 Cerabar S for Ex ia, CSA IS and FM IS applications
      - up to 27 Cerabar S for all other applications, e.g. in non-hazardous areas, Ex nA etc.
- Further information on PROFIBUS PA can be found in Operating Instructions BA034S "PROFIBUS DP/PA: Guidelines for planning and commissioning" and in the PNO Guideline.
- FOUNDATION Fieldbus
    - The Endress+Hauser devices meet the requirements of the FISCO model.
    - Due to the low current consumption of  $15 \text{ mA} \pm 1 \text{ mA}$ , the following number of devices can be operated on one bus segment if installing as per FISCO:
      - up to 6 Cerabar S for Ex ia, CSA IS and FM IS applications
      - up to 24 Cerabar S for all other applications, e.g. in non-hazardous areas, Ex nA etc.
- Further information on FOUNDATION Fieldbus, such as requirements for bus system components can be found in Operating Instructions BA013S "FOUNDATION Fieldbus Overview".

# Input

**Measured variable** Absolute pressure and gauge pressure, from which level (level, volume or mass) is derived

**Measuring range** PMC71 – with ceramic process isolating diaphragm (Ceraphire®) for gauge pressure

Nominal value	Range limit		Smallest calibratable span <sup>4</sup> [bar (psi)]	MWP <sup>1</sup> [bar (psi)]	OPL <sup>2</sup> [bar (psi)]	Vacuum resistance [bar <sub>abs</sub> (psi <sub>abs</sub> )]	Versions in the order code <sup>3</sup>
	lower (LRL) [bar (psi)]	upper (URL) [bar (psi)]					
100 mbar (1.5 psi)	-0.1 (-1.5)	+0.1 (+1.5)	0.005 (0.075)	2.7 (40.5)	4 (60)	0.7 (10.5)	1C
250 mbar (4 psi)	-0.25 (-4)	+0.25 (+4)	0.005 (0.075)	3.3 (49.5)	5 (75)	0.5 (7.5)	1E
400 mbar (6 psi)	-0.4 (-6)	+0.4 (+6)	0.005 (0.075)	5.3 (79.5)	8 (120)	0	1F
1 bar (15 psi)	-1 (-15)	+1 (+15)	0.01 (0.15)	6.7 (100.5)	10 (150)	0	1H
2 bar (30 psi)	-1 (-15)	+2 (+30)	0.02 (0.3)	12 (180)	18 (270)	0	1K
4 bar (60 psi)	-1 (-15)	+4 (+60)	0.04 (0.6)	16.7 (250.5)	25 (375)	0	1M
10 bar (150 psi)	-1 (-15)	+10 (+150)	0.1 (1.5)	26.7 (400.5)	40 (600)	0	1P
40 bar (600 psi)	-1 (-15)	+40 (+600)	0.4 (0.6)	40 (600)	60 (900)	0	1S

PMC71 – with ceramic process isolating diaphragm (Ceraphire®) for absolute pressure

Nominal value	Range limit		Smallest calibratable span <sup>4</sup> [bar (psi)]	MWP <sup>1</sup> [bar <sub>abs</sub> (psi <sub>abs</sub> )]	OPL <sup>2</sup> [bar <sub>abs</sub> (psi <sub>abs</sub> )]	Versions in the order code <sup>3</sup>
	lower (LRL) [bar <sub>abs</sub> (psi <sub>abs</sub> )]	upper (URL) [bar <sub>abs</sub> (psi <sub>abs</sub> )]				
100 mbar (15 psi)	0	+0.1 (+1.5)	0.005 (0.075)	2.7 (40.5)	4 (60)	2C
250 mbar (4 psi)	0	+0.25 (+4)	0.005 (0.075)	3.3 (49.5)	5 (75)	2E
400 mbar (6 psi)	0	+0.4 (+6)	0.005 (0.075)	5.3 (79.5)	8 (120)	2F
1 bar (15 psi)	0	+1 (+15)	0.01 (0.15)	6.7 (100.5)	10 (150)	2H
2 bar (30 psi)	0	+2 (+30)	0.02 (0.3)	12 (180)	18 (270)	2K
4 bar (60 psi)	0	+4 (+60)	0.04 (0.6)	16.7 (250.5)	25 (375)	2M
10 bar (150 psi)	0	+10 (+150)	0.1 (1.5)	26.7 (400.5)	40 (600)	2P
40 bar (600 psi)	0	+40 (+600)	0.4 (0.6)	40 (600)	60 (900)	2S

- 1) The MWP (maximum working pressure) for the measuring device depends on the lowest-rated element, with regard to pressure, of the selected components, i.e. the process connection (→ 32 ff) has to taken into consideration in addition to the measuring cell (→ see Table above). Also observe pressure-temperature dependency. For the appropriate standards and further information, see → 31, "Pressure specifications" section.
- 2) OPL: over pressure limit depends on the lowest-rated element, with regard to pressure, of the selected components.
- 3) Version in the order code → see also → 76 ff, feature 40 "Sensor range; Sensor over pressure limit (= OPL)"
- 4) Turn down > 100:1 on request or can be set at the device

## PMP71 and PMP75 – metal process isolating diaphragm for gauge pressure

Nominal value	Range limit		Smallest calibratable span <sup>5</sup>	MWP <sup>1</sup>	OPL <sup>2</sup>	Vacuum resistance <sup>3</sup>	Versions in the order code <sup>4</sup>
	lower (LRL) [bar (psi)]	upper (URL) [bar (psi)]					
400 mbar (6 psi)	-0.4 (-6)	+0.4 (+6)	0.005 (0.075)	4 (60)	6 (90)	0.01/0.04 (0.15/0.6)	1F
1 bar (15 psi)	-1 (-15)	+1 (+15)	0.01 (0.15)	6.7 (100)	10 (150)		1H
2 bar (30 psi)	-1 (-15)	+2 (+30)	0.02 (0.3)	13.3 (200)	20 (300)		1K
4 bar (60 psi)	-1 (-15)	+4 (+60)	0.04 (0.6)	18.7 (280.5)	28 (420)		1M
10 bar (150 psi)	-1 (-15)	+10 (+150)	0.1 (1.5)	26.7 (400.5)	40 (600)		1P
40 bar (600 psi)	-1 (-15)	+40 (+600)	0.4 (6)	100 (1500)	160 (2400)		1S
100 bar (1500 psi)	-1 (-15)	+100 (+1500)	1.0 (15)	100 (1500)	400 (6000)		1U
400 bar (6000 psi)	-1 (-15)	+400 (+6000)	4.0 (60)	400 (6000)	600 (9000)		1W
700 bar (10500) <sup>6</sup>	-1 (-15)	+700 (+10500)	7.0 (105)	700 (10500)	1050 (15750)		1X

## PMP71 and PMP75 – metal process isolating diaphragm for absolute pressure

Nominal value	Range limit		Smallest calibratable span <sup>5</sup>	MWP <sup>1</sup>	OPL <sup>2</sup>	Vacuum resistance <sup>3</sup>	Versions in the order code <sup>4</sup>
	lower (LRL) [bar <sub>abs</sub> ]	upper (URL) [bar <sub>abs</sub> ]					
400 mbar (6 psi)	0	+0.4 (+6)	0.005 (0.075)	4 (60)	6 (90)	0.01/0.04 (0.15/0.6)	2F
1 bar (15 psi)	0	+1 (+15)	0.01 (0.15)	6.7 (100)	10 (150)		2H
2 bar (30 psi)	0	+2 (+30)	0.02 (0.3)	13.3 (200)	20 (300)		2K
4 bar (60 psi)	0	+4 (+60)	0.04 (0.6)	18.7 (280.5)	28 (420)		2M
10 bar (150 psi)	0	+10 (+150)	0.1 (1.5)	26.7 (400.5)	40 (600)		2P
40 bar (600 psi)	0	+40 (+600)	0.4 (6)	100 (1500)	160 (2400)		2S
100 bar (1500 psi)	0	+100 (+1500)	1.0 (15)	100 (1500)	400 (6000)		2U
400 bar (6000 psi)	0	+400 (+6000)	4.0 (60)	400 (6000)	600 (9000)		2W
700 bar (10500) <sup>6</sup>	0	+700 (+10500)	7.0 (105)	700 (10500)	1050 (15750)		2X

- 1) The MWP (maximum working pressure) for the measuring device depends on the lowest-rated element, with regard to pressure, of the selected components, i.e. the process connection (→ 32 ff) has to be taken into consideration in addition to the measuring cell (→ see Table above). Also observe pressure-temperature dependency. For the appropriate standards and further information, see → 31, "Pressure specifications" section.
- 2) OPL: over pressure limit depends on the lowest-rated element, with regard to pressure, of the selected components.
- 3) The vacuum resistance applies for the measuring cell under reference operating conditions. The pressure and temperature application limits of the selected filling oil must also be observed for the PMP75. → 72, "Filling oil" section.
- 4) Version in the order code → 76 ff, feature 40 "Sensor range; Sensor over pressure limit (= OPL)"
- 5) Turn down > 100:1 on request or can be set at the device
- 6) PMP71 only, PMP75 on request



**Explanation of terms**

**Explanation of the terms "turn down (TD)", "set span" and "zero-based span"**

*Case 1:*

- Lower range value (LRV)  $\leq$  Upper range value (URV)

*Example:*

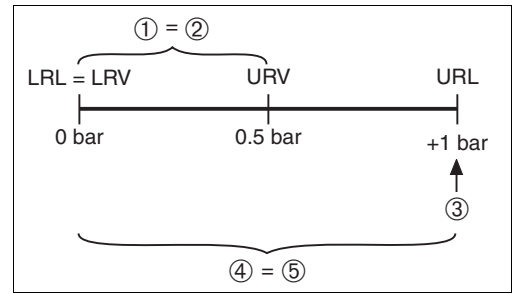
- Lower range value (LRV) = 0 bar
- Upper range value (URV) = 0.5 bar (7.5 psi)
- Nominal value (URL) = 1 bar (15 psi)

*Turn down:*

- $TD = URL / |URV| = 2:1$

*Set span:*

- $URV - LRV = 0.5 \text{ bar (7.5 psi)}$   
This span is based on the zero point.



*Example: 1 bar (15 psi) measuring cell*

*Case 2:*

- Lower range value (LRV)  $\leq$  Upper range value (URV)

*Example:*

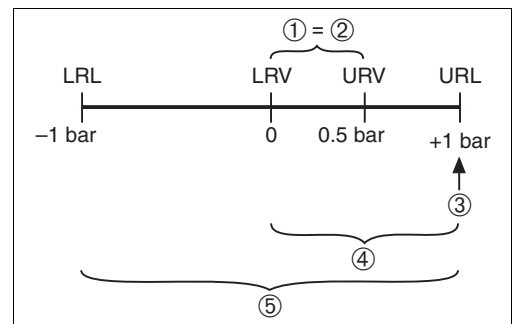
- Lower range value (LRV) = 0 bar
- Upper range value (URV) = 0.5 bar (7.5 psi)
- Nominal value (URL) = 1 bar (15 psi)

*Turn down:*

- $TD = URL / |URV| = 2:1$

*Set span:*

- $URV - LRV = 0.5 \text{ bar (7.5 psi)}$   
This span is based on the zero point.



*Example: 1 bar (15 psi) measuring cell*

*Case 3:*

- Lower range value (LRV)  $\geq$  Upper range value (URV)

*Example:*

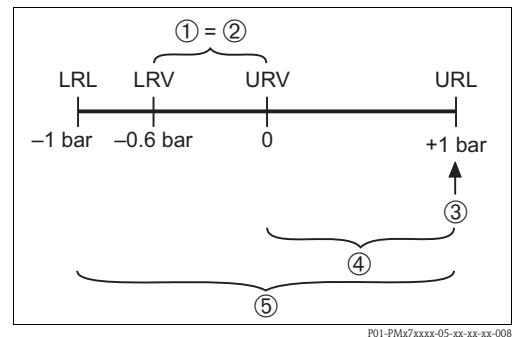
- Lower range value (LRV) = -0.6 bar (-9 psi)
- Upper range value (URV) = 0 bar
- Nominal value (URL) = 1 bar (15 psi)

*Turn down:*

- $TD = URL / |LRV| = 1.67:1$

*Set span:*

- $URV - LRV = 0.6 \text{ bar (9 psi)}$   
This span is based on the zero point.



*Example: 1 bar (15 psi) measuring cell*

- 1 Set span
- 2 Zero-based span
- 3 Nominal value  $\cong$  upper range limit (URL)
- 4 Nominal measuring range
- 5 Sensor measuring range
- LRL Lower range limit
- URL Upper range limit
- LRV Lower range value
- URV Upper range value

## Output

### Output signal

- 4 to 20 mA with superimposed digital communication protocol HART 5.0, 2-wire
- Digital communication signal PROFIBUS PA (Profile 3.0), 2-wire
  - signal coding: Manchester Bus Powered (MBP): Manchester II
  - data transmission rate: 31.25 KBit/s voltage mode
- Digital communication signal FOUNDATION Fieldbus, 2-wire
  - signal coding: Manchester Bus Powered (MBP): Manchester II
  - data transmission rate: 31.25 KBit/s voltage mode

### Signal range – 4 to 20 mA HART

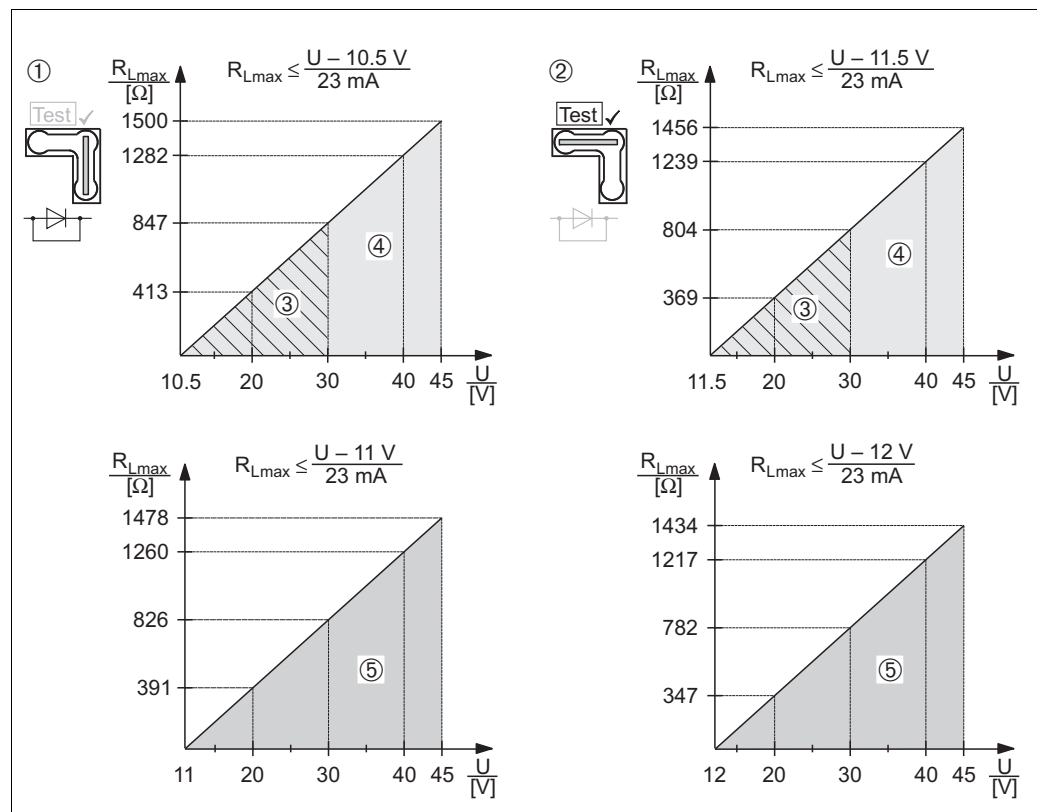
3.8 mA to 20.5 mA

### Signal on alarm

As per NAMUR NE43

- 4 to 20 mA HART
  - Options:
    - Max. alarm\*: can be set from 21 to 23 mA
    - Hold measured value: last measured value is held
    - Min. alarm: 3.6 mA
  - \* Factory setting: 22 mA
- PROFIBUS PA: can be set in the Analog Input block,
  - Options: Last Valid Out Value, Fsafe Value (factory setting), Status Bad
- FOUNDATION Fieldbus: can be set in the Analog Input block,
  - Options: Last Good Value, Fail Safe Value (factory setting), Wrong Value

### Load – 4 to 20 mA HART



P01-PMX/xxxx-05-xx-xx-xx-003

Load diagram, observe the position of the jumper and the explosion protection (→ See also Page 17, "Measuring a 4 to 20 mA test signal" section.)

- 1 Jumper for 4 to 20 mA test signal set to "Non-test" position
  - 2 Jumper for 4 to 20 mA test signal set to "Test" position
  - 3 Power supply 10.5 (11.5) to 30 V DC for 1/2 G, 1 GD, 1/2 GD, FM IS, CSA IS, IECEx ia, NEPSI Ex ia
  - 4 Power supply 10.5 (11.5) to 45 V DC for devices for non-hazardous areas, 1/2 D, 1/3 D, 2 G Ex d, 3 G Ex nA, FM XP, FM DIP, FM NI, CSA XP, CSA dust ignition proof, NEPSI Ex d
  - 5 Power supply 11 (12) to 45 V DC for PMC71, Ex d[ia], NEPSI Ex d[ia]
- $R_{Lmax}$  Maximum load resistance  
 $U$  Supply voltage

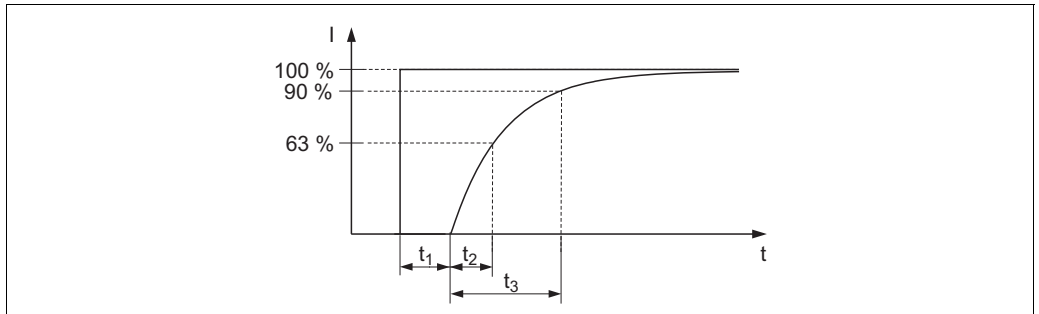
**Note!**

When operating via a handheld terminal or via a PC with an operating program, a minimum communication resistance of 250 Ω must exist within the loop.

**Resolution**

- Current output: 1 μA
- Display: can be set (factory setting: presentation of the maximum accuracy of the transmitter)

**Dead time, time constant**



P01-xxxxxxx-05-xx-xxx-036

*Presentation of the dead time and the time constant*

**Dynamic behavior, current output**

Type	Dead time $t_1$	Time constant (T63), $t_2$	Time constant (T90), $t_3$
PMC71	90 ms	120 ms	276 ms
PMP71	45 ms	<ul style="list-style-type: none"> <li>■ 400 mbar (6 psi) measuring cell: 70 ms</li> <li>■ Measuring cells ≥ 1 bar (15 psi): 35 ms</li> </ul>	<ul style="list-style-type: none"> <li>■ 400 mbar (6 psi) measuring cell: 161 ms</li> <li>■ Measuring cells ≥ 1 bar (15 psi): 81 ms</li> </ul>
PMP75	PMP71 + influence of the diaphragm seal		

**Dynamic behavior, HART**

Type	Dead time $t_1$	Time constant (T63), $t_2$	Time constant (T90), $t_3$
PMC71	340 ms	120 ms	276 ms
PMP71	295 ms	<ul style="list-style-type: none"> <li>■ 400 mbar (6 psi) measuring cell: 70 ms</li> <li>■ Measuring cells ≥ 1 bar (15 psi): 35 ms</li> </ul>	<ul style="list-style-type: none"> <li>■ 400 mbar (6 psi) measuring cell: 161 ms</li> <li>■ Measuring cells ≥ 1 bar (15 psi): 81 ms</li> </ul>
PMP75	PMP71 + influence of the diaphragm seal		

**Reading cycle**

- HART commands: 3 to 4 per second on average.  
The Cerabar S commands the BURST MODE function for cyclic value transmission via the HART communication protocol.

**Response time**

≤ 250 ms

**Cycle time (update time)**

On average 250 to 330 ms.

**Dynamic behavior,  
PROFIBUS PA**

A typical cyclic parametrization for the PLC of 20 values per second results in the following behavior:

Type	Dead time $t_1$	Time constant (T63), $t_2$	Time constant (T90), $t_3$
PMC71	340 ms	120 ms	620 ms
PMP71	295 ms	<ul style="list-style-type: none"> <li>■ 400 mbar (6 psi) measuring cell: 70 ms</li> <li>■ Measuring cells <math>\geq 1</math> bar (15 psi): 35 ms</li> </ul>	<ul style="list-style-type: none"> <li>■ 400 mbar (6 psi) measuring cell: 161 ms</li> <li>■ Measuring cells <math>\geq 1</math> bar (15 psi): 81 ms</li> </ul>
PMP75	PMP71 + influence of the diaphragm seal		

**Response time**

- Cyclic: approx. 10 ms per request
- Acyclic: < 50 ms

All values are typical values.

**Cycle time (update time)**

The cycle time in a bus segment in cyclic data communication depends on the number of devices, on the segment coupler used and on the internal PLC cycle time.

**Dynamic behavior,  
FOUNDATION Fieldbus**

A typical configuration for the macro cycle time (host system) of 250 ms results in the following behavior:

Type	Dead time $t_1$	Time constant (T63), $t_2$	Time constant (T90), $t_3$
PMC71	340 ms	120 ms	620 ms
PMP71	295 ms	<ul style="list-style-type: none"> <li>■ 400 mbar (6 psi) measuring cell: 70 ms</li> <li>■ Measuring cells <math>\geq 1</math> bar (15 psi): 35 ms</li> </ul>	<ul style="list-style-type: none"> <li>■ 400 mbar (6 psi) measuring cell: 161 ms</li> <li>■ Measuring cells <math>\geq 1</math> bar (15 psi): 81 ms</li> </ul>
PMP75	PMP71 + influence of the diaphragm seal		

**Reading cycle**

- Cyclic: up to 5/s, dependent on the number and type of function blocks used in a closed-control loop
- Acyclic: 10/s

**Response time**

- Cyclic: < 80 ms
- Acyclic: < 40 ms

All values are typical values.

**Cycle time (update time)**

250 ms

**Damping**

A damping affects all outputs (output signal, display).

- Via onsite display, handheld terminal or PC with operating program, continuous from 0 to 999 s
- Additionally for HART and PROFIBUS PA: via DIP switch on the electronic insert, switch position "on" = set value and "off"
- Factory setting: 2 s

**Data of the FOUNDATION  
Fieldbus interface****Basic data**

Device Type	1007F (hex)
Device Revision	06 (hex)
DD Revision	01 (hex)
CFF Revision	01 (hex)
ITK Version	5.0
ITK Certification Driver No.	IT054600
Link-Master (LAS) capable	Yes
Link Master / Basic Device selectable	Yes; Factory setting: Basic Device
Number of VCRs	44
Number of Link Objects in VFD	50

**Virtual communication references (VCRs)**

Permanent Entries	44
Client VCRs	0
Server VCRs	5
Source VCRs	8
Sink VCRs	0
Subscriber VCRs	12
Publisher VCRs	19

**Link settings**

Slot time	4
Min. inter PDU delay	12
Max. response delay	10

**Transducer Blocks**

Block	Content	Output values
TRD1 Block	Contains all parameters related to the measurement	<ul style="list-style-type: none"> <li>■ Pressure or level (channel 1)</li> <li>■ Process temperature (channel 2)</li> </ul>
Service Block	Contains service information	<ul style="list-style-type: none"> <li>■ Pressure after damping (channel 3)</li> <li>■ Pressure peakhold indicator (channel 4)</li> <li>■ Counter for max. pressure transgressions (channel 5)</li> </ul>
Diagnostic Block	Contains diagnostic information	Error code via DI channels (channel 0 to 16)
Display Block	Contains parameters to configure the onsite display	No output values

**Function blocks**

<b>Block</b>	<b>Content</b>	<b>Number of blocks</b>	<b>Execution time</b>	<b>Functionality</b>
Resource Block	The Resource Block contains all the data that uniquely identify the device. It is an electronic version of a nameplate of the device.	1		enhanced
Analog Input Block 1 Analog Input Block 2	The AI Block receives the measuring data from the Sensor Block, (selectable via a channel number) and makes the data available to other function blocks at its output. Enhancement: digital outputs for process alarms, fail safe mode.	2	45 ms	enhanced
Digital Input Block	This block contains the discrete data of the Diagnose Block (selectable via a channel number 0 to 16) and provides them for other blocks at the output.	1	40 ms	standard
Digital Output Block	This block converts the discrete input and thus initiates an action (selectable via a channel number) in the DP Flow Block or in the Service Block. Channel 1 resets the counter for max. pressure transgressions.	1	60 ms	standard
PID Block	The PID Block serves as a proportional-integral-derivative controller and is used almost universally for closed-loop-control in the field including cascade and feedforward. Input IN can be indicated on the display. The selection is performed in the Display Block (DISPLAY_MAIN_LINE_CONTENT).	1	120 ms	standard
Arithmetic Block	This block is designed to permit simple use of popular measurement math functions. The user does not have to know how to write equations. The math algorithm is selected by name, chosen by the user for the function to be performed.	1	50 ms	standard
Input Selector Block	The Input Selector Block facilitates the selection of up to four inputs and generates an output based on the configured action. This block normally receives its inputs from AI Blocks. The block performs maximum, minimum, average and 'first good' signal selection. Inputs IN1 to IN4 can be indicated on the display. The selection is performed in the Display Block (DISPLAY_MAIN_LINE_CONTENT).	1	35 ms	standard
Signal Characterizer Block	The Signal Characterizer Block has two sections, each with an output that is a non-linear function of the respective input. The non-linear function is generated by a single look-up table with 21 arbitrary x-y pairs.	1	30 ms	standard
Integrator Block	The Integrator Block integrates a variable as a function of the time or accumulates the counts from a Pulse Input Block. The block may be used as a totalizer that counts up until reset or as a batch totalizer that has a setpoint, where the integrated or accumulated value is compared to pre-trip and trip settings, generating a binary signal when the setpoint is reached.	1	35 ms	standard
Analog Alarm Block	This block contains all process alarm conditions (working like a comparator) and represents them at the output.	1	35 ms	standard

**Additional function block information:**

Instantiate Function Block	YES
Number of instantiate blocks	15

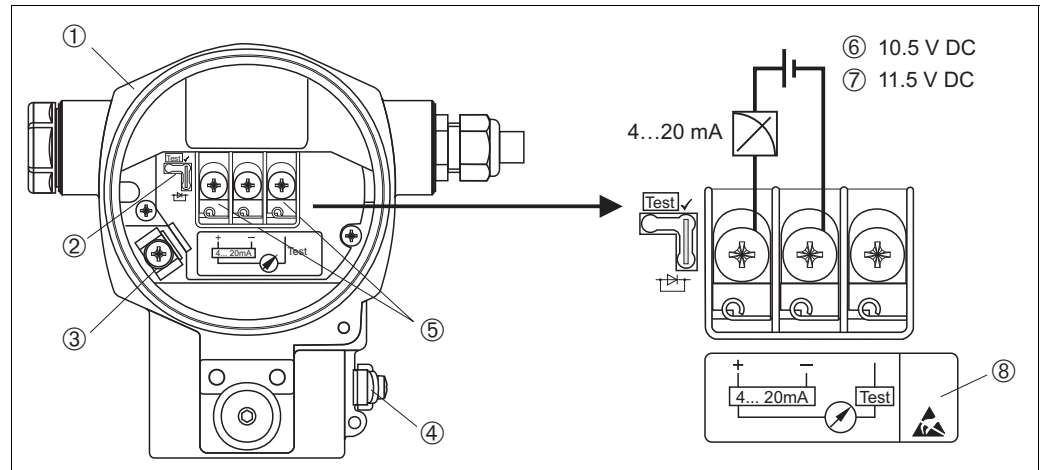
## Power supply

### Electrical connection

Note!

- When using the measuring device in hazardous areas, installation must comply with the corresponding national standards and regulations and the Safety Instructions or Installation or Control Drawings.  
→ 89 ff, "Safety Instructions" and "Installation/Control Drawings" sections.
- Devices with integrated overvoltage protection must be grounded. → 29.
- Protective circuits against reverse polarity, HF influences and overvoltage peaks are installed.

### 4 to 20 mA HART



Electrical connection 4 to 20 mA HART

- 1 Housing
- 2 Jumper for 4 to 20 mA test signal  
→ 17, "Measuring a 4 to 20 mA test signal" section.
- 3 Internal ground terminal
- 4 External ground terminal
- 5 4 to 20 mA test signal between positive and test terminal
- 6 Minimum supply voltage = 10.5 V DC, jumper is set as illustrated in the diagram.
- 7 Minimum supply voltage = 11.5 V DC, jumper is set to "Test" position.
- 8 Devices with integrated overvoltage protection are labeled OVP (overvoltage protection) here (→ 29).

### PROFIBUS PA

The digital communication signal is transmitted to the bus via a 2-wire connection. The bus also provides the power supply. For further information on the network structure and grounding, and for further bus system components such as bus cables, see the relevant documentation, e.g. Operating Instructions BA034S "PROFIBUS DP/PA: Guidelines for planning and commissioning" and the PNO Guideline.

Cable specifications:

- Use a twisted, shielded two-wire cable, preferably cable type A

Note!

For further information on the cable specifications, see Operating Instructions BA034S "PROFIBUS DP/PA: Guidelines for planning and commissioning", the PNO Guideline 2.092 PROFIBUS PA User and Installation Guideline" and IEC 61158-2 (MBP).

## FOUNDATION Fieldbus

The digital communication signal is transmitted to the bus via a 2-wire connection. The bus also provides the power supply. For further information on the network structure and grounding and for further bus system components such as bus cables, see the relevant documentation, e.g. Operating Instructions BA013S "FOUNDATION Fieldbus Overview" and the FOUNDATION Fieldbus Guideline.

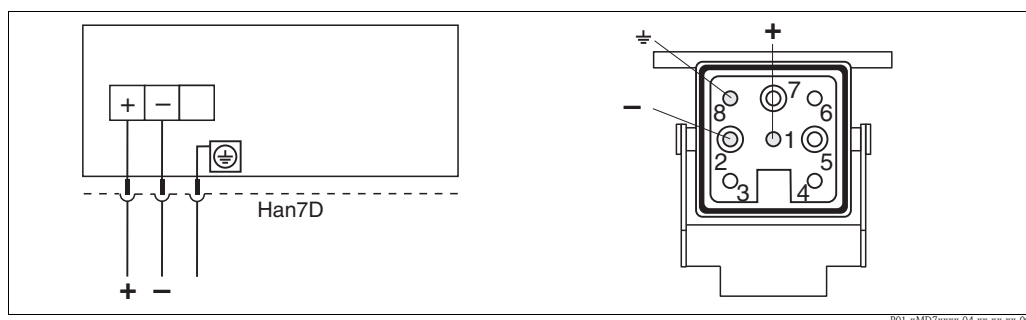
Cable specifications:

- Use a twisted, shielded two-wire cable, preferably cable type A

Note!

For further information on the cable specifications, see Operating Instructions BA013S "FOUNDATION Fieldbus Overview", FOUNDATION Fieldbus Guideline and IEC 61158-2 (MBP).

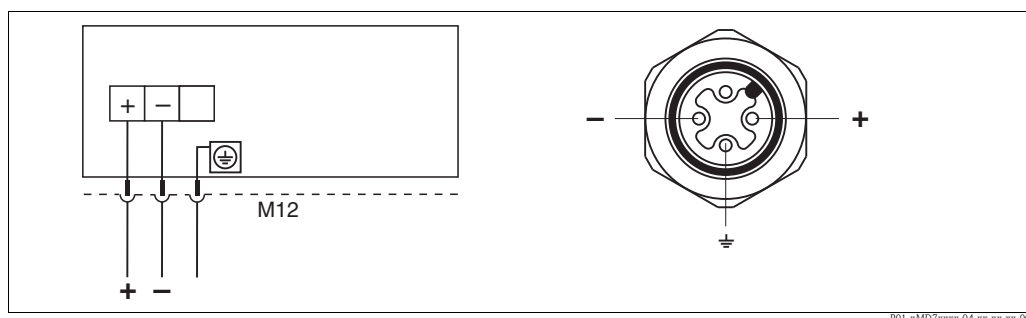
## Devices with Harting plug Han7D



Left: electrical connection for devices with Harting plug Han7D  
Right: view of the plug connector at the device

Material: CuZn

## Devices with M12 plug



Left: electrical connection for devices with M12 plug  
Right: view of the plug at the device

Endress+Hauser offers the following accessories for devices with an M12 plug:

Plug-in jack M 12x1, straight

- Material: body PA; coupling nut CuZn, nickel-plated
- Degree of protection (fully locked): IP67
- Order number: 52006263

Plug-in jack M 12x1, elbowed

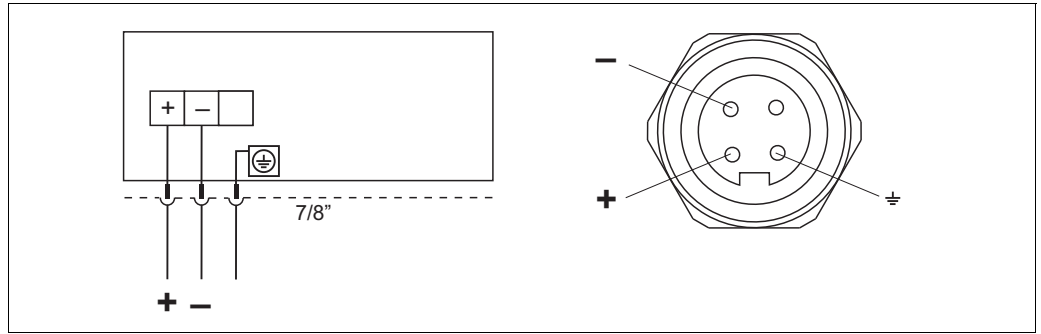
- Material: body PBT/PA; coupling nut GD-Zn, nickel-plated
- Degree of protection (fully locked): IP67
- Order number: 71091284

Cable 4x0.34 mm<sup>2</sup> (20 AWG) with M12 socket, elbowed, screw plug, length 5 m (16 ft)

- Material: body PUR; coupling nut CuSn/Ni; cable PVC
- Degree of protection (fully locked): IP67
- Order number: 52010285



**Devices with 7/8" plug**



Left: electrical connection for devices with 7/8" plug  
 Right: view of the plug at the device

- External thread: 7/8 - 16 UNC
- Material: housing / body CuZn, nickel-plated
- Protection: IP68
- Order number: 52010285

**Cable gland**

Approval	Type	Clamping area
Standard, II1/2G Exia, IS	Plastic M20x1.5	5 to 10 mm (0.2 to 0.39 in)
ATEX II1/2D, II1/3D, II1/2GD Exia, II1GD Exia, II3G Ex nA	Metal M20x1.5 (Ex e)	7 to 10.5 mm (0.28 to 0.41 in)

**Terminals**

For wire cross-sections of 0.5 to 2.5 mm<sup>2</sup> (20 to 14 AWG)

**Measuring a 4 to 20 mA test signal**

A 4 to 20 mA test signal may be measured via the positive and test terminal without interrupting the measurement. The minimum supply voltage of the device can be reduced by simply changing the position of the jumper. As a result, operation is also possible with lower voltage sources. Observe the position of the jumper in accordance with the following table.

Jumper position for test signal	Description
	- Measuring 4 to 20 mA test signal via the plus and test terminal: possible. (Thus, the output current can be measured without interruption via the diode.) - Delivery status - Minimum supply voltage: 11.5 V DC
	- Measuring 4 to 20 mA test signal via the plus and test terminal: not possible. - Minimum supply voltage: 10.5 V DC

---

<b>Supply voltage</b>	<p>Note!</p> <ul style="list-style-type: none"><li>■ When using the measuring device in hazardous areas, installation must comply with the corresponding national standards and regulations and the Safety Instructions or Installation or Control Drawings.</li><li>■ All explosion protection data are given in separate documentation which is available upon request. The Ex documentation is supplied as standard with all devices approved for use in explosion hazardous areas. → 89 ff, "Safety Instructions" and "Installation/Control Drawings" sections.</li></ul> <p><b>4 to 20 mA HART</b></p> <ul style="list-style-type: none"><li>■ Version for non-hazardous areas, jumper for 4 to 20 mA test signal in "Test" position (delivery status): 11.5 to 45 V DC</li><li>■ Version for non-hazardous areas, jumper for 4 to 20 mA test signal in "Non-test" position: 10.5 to 45 V DC</li></ul> <p><b>PROFIBUS PA</b></p> <ul style="list-style-type: none"><li>■ Version for non-hazardous areas: 9 to 32 V DC</li></ul> <p><b>FOUNDATION Fieldbus</b></p> <ul style="list-style-type: none"><li>■ Version for non-hazardous areas: 9 to 32 V DC</li></ul>
<b>Current consumption</b>	<ul style="list-style-type: none"><li>■ PROFIBUS PA: 13 mA ± 1 mA, switch-on current corresponds to IEC 61158-2, Clause 21</li><li>■ FOUNDATION Fieldbus: 15 mA ± 1 mA, switch-on current corresponds to IEC 61158-2, Clause 21</li></ul>
<b>Cable entry</b>	→ 76 ff, feature 30 "Housing; Cable entry; Protection".
<b>Cable specification</b>	<ul style="list-style-type: none"><li>■ Endress+Hauser recommends using shielded, twisted-pair two-wire cables.</li><li>■ Terminals for core cross-sections 0.5 to 2.5 mm<sup>2</sup> (20 to 14 AWG)</li><li>■ Cable outer diameter: 5 to 9 mm (0.2 to 0.35 in)</li></ul>
<b>Residual ripple</b>	Without influence on 4 to 20 mA signal up to ± 5 % residual ripple within the permitted voltage range [according to HART hardware specification HCF_SPEC-54 (DIN IEC 60381-1)]
<b>Influence of power supply</b>	≤ 0.0006% of URL/1 V

---

## Performance characteristics – general

### Reference operating conditions

- As per IEC 60770
- Ambient temperature  $T_U = \text{constant}$ , in the range of: +21 to +33 °C (+70 to 91 °F)
- Humidity  $\varphi = \text{constant}$ , in the range of: 5 to 80 % rH
- Ambient pressure  $p_A = \text{constant}$ , in the range of: 860 to 1060 mbar (12.47 to 15.37 psi)
- Position of the measuring cell = constant, in range: horizontally  $\pm 1^\circ$
- Input of LOW SENSOR TRIM and HIGH SENSOR TRIM for lower range value and upper range value
- Zero based span
- Material of process isolating diaphragm PMC71:  $\text{Al}_2\text{O}_3$  (aluminum oxide ceramic)
- Material of process isolating diaphragm PMP71 and PMP75: AISI 316L/1.4435
- Filling oil PMP71 and PMP75: silicone oil
- Supply voltage: 24 V DC  $\pm 3$  V DC
- Load with HART: 250  $\Omega$

### Uncertainty of measurement for small absolute pressure ranges

- The smallest extended uncertainty of measurement that can be returned by our standards is:
- 0.4% of the measured value in the range 1 to 30 mbar (0.0145 to 0.435 psi)
  - 1% of the measured value in the range < 1 mbar (0.0145 psi)

### Long-term stability

- PMC71/PMP75:
- For measuring ranges  $\geq 1$  bar (15 psi):  $\pm 0.05$  % of URL/year
- PMC71:
- 100 mbar to 40 bar (1.5 psi to 600 psi):  $\pm 0.2$  % of URL/10 years
  - 100 mbar to 40 bar (1.5 psi to 600 psi) (absolute pressure sensor):  $\pm 0.3$  % of URL/10 years

PMP71 gauge pressure sensors:


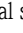
	1 year	5 years	10 year
<b>Measuring ranges [bar (psi)]</b>	<b>% of URL</b>		
1 (15)	$\pm 0.020$	$\pm 0.080$	$\pm 0.180$
10 (150)	$\pm 0.025$	$\pm 0.050$	$\pm 0.075$
40 (600)	$\pm 0.025$	$\pm 0.075$	$\pm 0.100$
100 (1500)	$\pm 0.050$	$\pm 0.150$	$\pm 0.200$
400 (6000)	$\pm 0.050$	—	$\pm 1$

### Influence of the installation position

- PMC71 <sup>1</sup>:  $\leq 0.18$  mbar (3 psi)
- PMP71 <sup>1,2</sup>
  - Process connections thread G 1 A, G 1 1/2, G 2, 1 1/2 MNPT, 2 MNPT, M 44x1,25, EN/DIN, ANSI and JIS flanges:  $\leq 10$  mbar (0.15 psi)
  - Process connections thread: G 1/2, 1/2 MNPT, JIS G 1/2, JIS R 1/2, M20x1.5:  $\leq 4$  mbar (0.06 psi)

- 1) Device rotated 180°, process connection pointing upwards.
- 2) The value is doubled for devices with inert oil.

Note!

Position-dependent zero shift can be corrected. →  24, "General installation instructions" section and →  72 ff, "Installation instructions, diaphragm seal systems" section

## Performance characteristics – ceramic process isolating diaphragm

### Reference accuracy – PMC71

The reference accuracy comprises the non-linearity (terminal based), hysteresis and non-reproducibility as per IEC 60770. The data refer to the calibrated span.

Measuring cell	Gauge pressure sensor	Absolute pressure sensor
100 mbar (1.5 psi)	<ul style="list-style-type: none"> <li>■ TD 1:1 to TD 10:1 = <math>\pm 0.075</math></li> <li>■ TD &gt; 10:1 = <math>\pm 0.0075 \times \text{TD}</math></li> </ul>	<ul style="list-style-type: none"> <li>■ TD 1:1 to TD 5:1 = <math>\pm 0.075</math></li> <li>■ TD &gt; 5:1 = <math>\pm 0.015 \times \text{TD}</math></li> </ul>
250 mbar (4 psi)	<ul style="list-style-type: none"> <li>■ TD 1:1 to TD 15:1 = <math>\pm 0.075</math></li> <li>■ TD &gt; 15:1 = <math>\pm 0.005 \times \text{TD}</math></li> </ul>	<ul style="list-style-type: none"> <li>■ TD 1:1 to TD 10:1 = <math>\pm 0.075</math></li> <li>■ TD &gt; 10:1 = <math>\pm 0.0075 \times \text{TD}</math></li> </ul>
400 mbar (6 psi), 1 bar (15 psi), 2 bar (30 psi), 4 bar (60 psi), 10 bar (150 psi)	<ul style="list-style-type: none"> <li>■ TD 1:1 to TD 15:1 = <math>\pm 0.075</math></li> <li>■ TD &gt; 15:1 = <math>\pm 0.005 \times \text{TD}</math></li> </ul>	<ul style="list-style-type: none"> <li>■ TD 1:1 to TD 15:1 = <math>\pm 0.075</math></li> <li>■ TD &gt; 15:1 = <math>\pm 0.005 \times \text{TD}</math></li> </ul>
40 bar (600 psi)	<ul style="list-style-type: none"> <li>■ TD 1:1 to TD 10:1 = <math>\pm 0.075</math></li> <li>■ TD &gt; 10:1 = <math>\pm 0.0075 \times \text{TD}</math></li> </ul>	<ul style="list-style-type: none"> <li>■ TD 1:1 to TD 10:1 = <math>\pm 0.075</math></li> <li>■ TD &gt; 10:1 = <math>\pm 0.0075 \times \text{TD}</math></li> </ul>
Platinum version: 1 bar (15 psi), 2 bar (30 psi), 4 bar (60 psi), 10 bar (150 psi)	<ul style="list-style-type: none"> <li>■ TD 1:1 = <math>\pm 0.05</math></li> </ul>	<ul style="list-style-type: none"> <li>■ TD 1:1 = <math>\pm 0.05</math></li> </ul>

### Total performance – PMC71

The "Total performance" specification comprises the non-linearity including hysteresis, non-reproducibility as well as the thermal change in the zero point.

For devices with NBR or HNBR seals, the values must be multiplied by a factor of 3.

All specifications apply to the temperature range  $-10$  to  $+60$  °C ( $+14$  to  $+140$  °F) and a turn down of 1:1.

Measuring cell	PMC71	PMC71 high-temperature version
	% of URL	
100 mbar (1.5 psi), 250 mbar (4 psi), 400 mbar (6 psi)	$\pm 0.2$	$\pm 0.46$
1 bar (15 psi), 2 bar (30 psi), 4 bar (60 psi), 10 bar (150 psi), 40 bar (600 psi)	$\pm 0.15$	$\pm 0.46$

### Total error - PMC71

The total error comprises the long-term stability and the total performance.

For devices with NBR or HNBR seals, the values must be multiplied by a factor of 3.

All specifications apply to the temperature range  $-10$  to  $+60$  °C ( $+14$  to  $+140$  °F) and a turn down of 1:1.

Measuring cell	PMC71	PMC71 high-temperature version
	% of URL/year	
100 mbar (1.5 psi), 250 mbar (4 psi), 400 mbar (6 psi)	$\pm 0.25$	$\pm 0.51$
1 bar (15 psi), 2 bar (30 psi), 4 bar (60 psi), 10 bar (150 psi), 40 bar (600 psi)	$\pm 0.2$	$\pm 0.51$

### Warm-up period – PMC71

- 4 to 20 mA HART: < 10 s
- PROFIBUS PA: 6 s
- FOUNDATION Fieldbus: 50 s

**Thermal change of the zero output and the output span – PMC71**
**PMC71**

Measuring cell	-10 to +60°C (+14 to +140 °F)	-20 to -10 °C, +60 to +125 °C (-4 to +14°F, +140 to +257°F)
	% of the set span	
100 mbar (1.5 psi), 250 mbar (4 psi), 400 mbar (6 psi)	$\pm(0.088 \times \text{TD} + 0.088)$	$\pm(0.138 \times \text{TD} + 0.138)$
1 bar (15 psi), 2 bar (30 psi), 4 bar (60 psi), 10 bar (150 psi), 40 bar (600 psi)	$\pm(0.088 \times \text{TD} + 0.04)$	$\pm(0.175 \times \text{TD} + 0.075)$

**PMC71 high-temperature version**

Gauge pressure measuring cell	-10 to +60°C (+14 to +140°F)	to +150°C (to +302°F)
	% of the set span	
100 mbar (1.5 psi), 250 mbar (4 psi), 400 mbar (6 psi)	$\pm(0.088 \times \text{TD} + 0.088)$	$\pm(0.75 \times \text{TD})$
1 bar (15 psi), 2 bar (30 psi), 4 bar (60 psi), 10 bar (150 psi), 40 bar (600 psi)	$\pm(0.088 \times \text{TD} + 0.040)$	$\pm(0.50 \times \text{TD})$
<b>Absolut pressure measuring cell</b>		
100 mbar (1.5 psi)	$\pm(0.088 \times \text{TD} + 0.088)$	$\pm(1.25 \times \text{TD})$
250 mbar (4 psi), 400 mbar (6 psi)	$\pm(0.088 \times \text{TD} + 0.088)$	$\pm(0.75 \times \text{TD})$
1 bar (15 psi), 2 bar (30 psi), 4 bar (60 psi), 10 bar (150 psi)	$\pm(0.088 \times \text{TD} + 0.040)$	$\pm(0.75 \times \text{TD})$
40 bar (600 psi)	$\pm(0.088 \times \text{TD} + 0.040)$	$\pm(0.50 \times \text{TD})$

## Performance characteristics – metal process isolating diaphragm

### Reference accuracy – PMP71, PMP75

The reference accuracy comprises the non-linearity (terminal based), hysteresis and non-reproducibility as per IEC 60770. The data refer to the calibrated span.

Measuring cell	Sensor	PMP71 and PMP75 without capillary	PMP75 with capillary
400 mbar (6 psi)	Gauge pressure/ absolute pressure	<ul style="list-style-type: none"> <li>■ TD 1:1 = <math>\pm 0.15</math></li> <li>■ TD &gt; 1:1 = <math>\pm 0.15 \times \text{TD}</math></li> </ul>	<ul style="list-style-type: none"> <li>■ TD 1:1 = <math>\pm 0.15</math></li> <li>■ TD &gt; 1:1 = <math>\pm 0.15 \times \text{TD}</math></li> </ul>
1 bar (15 psi)	Gauge pressure/ absolute pressure	<ul style="list-style-type: none"> <li>■ TD 1:1 to TD 2.5:1 = <math>\pm 0.075</math></li> <li>■ TD &gt; 2.5:1 = <math>\pm 0.03 \times \text{TD}</math></li> </ul>	<ul style="list-style-type: none"> <li>■ TD 1:1 to TD 2.5:1 = <math>\pm 0.1</math></li> <li>■ TD &gt; 2.5:1 = <math>\pm 0.04 \times \text{TD}</math></li> </ul>
2 bar (30 psi)	Gauge pressure	<ul style="list-style-type: none"> <li>■ TD 1:1 to TD 5:1 = <math>\pm 0.075</math></li> <li>■ TD &gt; 5:1 = <math>\pm 0.015 \times \text{TD}</math></li> </ul>	<ul style="list-style-type: none"> <li>■ TD 1:1 to TD 2.5:1 = <math>\pm 0.1</math></li> <li>■ TD &gt; 2.5:1 = <math>\pm 0.04 \times \text{TD}</math></li> </ul>
2 bar (30 psi)	Absolute pressure	<ul style="list-style-type: none"> <li>■ TD 1:1 to TD 5:1 = <math>\pm 0.075</math></li> <li>■ TD &gt; 5:1 = <math>\pm 0.015 \times \text{TD}</math></li> </ul>	<ul style="list-style-type: none"> <li>■ TD 1:1 to TD 5:1 = <math>\pm 0.075</math></li> <li>■ TD &gt; 5:1 = <math>\pm 0.015 \times \text{TD}</math></li> </ul>
4 bar (60 psi)	Gauge pressure/ absolute pressure	<ul style="list-style-type: none"> <li>■ TD 1:1 to TD 10:1 = <math>\pm 0.075</math></li> <li>■ TD &gt; 10:1 = <math>\pm 0.0075 \times \text{TD}</math></li> </ul>	<ul style="list-style-type: none"> <li>■ TD 1:1 to TD 10:1 = <math>\pm 0.075</math></li> <li>■ TD &gt; 10:1 = <math>\pm 0.0075 \times \text{TD}</math></li> </ul>
10 bar (150 psi), 40 bar (600 psi)	Gauge pressure/ absolute pressure	<ul style="list-style-type: none"> <li>■ TD 1:1 to TD 15:1 = <math>\pm 0.075</math></li> <li>■ TD &gt; 15:1 = <math>\pm 0.005 \times \text{TD}</math></li> </ul>	<ul style="list-style-type: none"> <li>■ TD 1:1 to TD 15:1 = <math>\pm 0.075</math></li> <li>■ TD &gt; 15:1 = <math>\pm 0.005 \times \text{TD}</math></li> </ul>
100 bar (1500 psi)	Gauge pressure/ absolute pressure	<ul style="list-style-type: none"> <li>■ TD 1:1 to TD 10:1 = <math>\pm 0.075</math></li> <li>■ TD &gt; 10:1 = <math>\pm 0.0075 \times \text{TD}</math></li> </ul>	<ul style="list-style-type: none"> <li>■ TD 1:1 to TD 10:1 = <math>\pm 0.075</math></li> <li>■ TD &gt; 10:1 = <math>\pm 0.0075 \times \text{TD}</math></li> </ul>
400 bar (6000 psi)	Gauge pressure/ absolute pressure	<ul style="list-style-type: none"> <li>■ TD 1:1 to TD 5:1 = <math>\pm 0.15</math></li> <li>■ TD &gt; 5:1 = <math>\pm 0.03 \times \text{TD}</math></li> </ul>	<ul style="list-style-type: none"> <li>■ TD 1:1 to TD 5:1 = <math>\pm 0.15</math></li> <li>■ TD &gt; 5:1 = <math>\pm 0.03 \times \text{TD}</math></li> </ul>
700 bar (10500 psi)	Absolute pressure	<ul style="list-style-type: none"> <li>■ TD 1:1 to TD 5:1 = <math>\pm 0.15</math></li> <li>■ TD &gt; 5:1 = <math>\pm 0.03 \times \text{TD}</math></li> </ul>	—
Platinum version <sup>1)</sup> 1 bar (15 psi), 2 bar (30 psi), 4 bar (60 psi), 10 bar (150 psi), 40 bar (600 psi), 100 bar (1500 psi)	Gauge pressure/ absolute pressure	<ul style="list-style-type: none"> <li>■ TD 1:1 = <math>\pm 0.05</math></li> </ul>	—

1) Platinum version not for flush-mounted process connections G 1/2 and M20.

### Total performance – PMP71

The "Total performance" specification comprises the non-linearity including hysteresis, non-reproducibility as well as the thermal change of the zero point.

All specifications apply to the temperature range  $-10$  to  $+60$  °C ( $+14$  to  $+140$  °F) and a turn down of 1:1.

Measuring cell	PMP71	PMP71 with gold-rhodium-coated process isolating diaphragm
	% of URL	
400 mbar (6 psi)	$\pm 0.25$	$\pm 1.25$
1 bar (15 psi)	$\pm 0.15$	$\pm 0.75$
2 bar (30 psi)	$\pm 0.15$	$\pm 0.45$
4 bar (60 psi)	$\pm 0.15$	$\pm 0.3$
10 bar (150 psi), 40 bar (600 psi)	$\pm 0.15$	$\pm 0.15$
100 bar (1500 psi)	$\pm 0.25$	$\pm 0.25$
400 bar (6000 psi)	$\pm 0.3$	$\pm 0.3$
700 bar (10500 psi)	$\pm 0.3$	$\pm 0.3$

**Total error - PMP71**

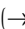
The total error comprises the total performance and long-term stability.  
All specifications apply to the temperature range -10 to +60 °C (+14 to +140 °F) and a turn down of 1:1.

Measuring cell	% of URL/year
400 mbar (6 psi)	■ ±0,3
1 bar (15 psi), 2 bar (30 psi), 4 bar (60 psi), 10 bar (150 psi), 40 bar (600 psi)	■ ±0.2
100 bar (1500 psi)	■ ±0.3
400 bar (6000 psi)	■ ±0.35
700 bar (10500 psi)	■ ±0.35

**Warm-up period –  
PMP71, PMP75**

- 4 to 20 mA HART: < 10 s
- PROFIBUS PA: 6 s
- FOUNDATION Fieldbus: 50 s

**Thermal change of the zero  
output and the output span –  
PMP71 and PMP75**

Note!  
When using a PMP75, the influence from the respective diaphragm seal must be taken into account.  
(→  70 ff "Planning instructions, diaphragm seal systems".

**PMP71 and PMP75 (basic device), internal process isolating diaphragm**

Measuring cell	Material of the process isolating diaphragm		-10 to +60°C (+14 to +140 °F)	-40 to -10 °C, +60 to +85 °C (-40 to +14 °F, +140 to +185 °F)
	316 L	Gold-rhodium	% of the set span	
400 mbar (6 psi)	x	x	±(0.2 x TD + 0.015)	±(0.4 x TD + 0.03)
1 bar (15 psi), 2 bar (30 psi), 4 bar (60 psi), 10 bar (150 psi)	x	x	±(0.1 x TD + 0.01)	±(0.4 x TD + 0.02)
40 bar (600 psi)	x	-	±(0.1 x TD + 0.01)	±(0.4 x TD + 0.02)
100 bar (1500 psi)	x	-	±(0.2 x TD + 0.015)	±(0.4 x TD + 0.03)
400 bar (6000 psi)	x	-	±(0.35 x TD + 0.02)	±(0.7 x TD + 0.04)
700 bar (10500 psi)	x	-	±(0.4 x TD + 0.03)	±(0.7 x TD + 0.04)

**PMP71, flush-mounted process isolating diaphragm made of 316L with gold-rhodium coating**

Measuring cell	-10 to +60°C (+14 to +140 °F)	-40 to -10 °C, +60 to +85 °C (-40 to +14 °F, +140 to +185 °F)
	% of the set span	
400 mbar (6 psi)	±(0.2 x TD + 0.015) x 5	±(0.4 x TD + 0.03) x 5
1 bar (15 psi), 2 bar (30 psi), 4 bar (60 psi), 10 bar (150 psi), 40 bar (600 psi)	±(0.1 x TD + 0.01) x 5	±(0.4 x TD + 0.02) x 5
100 bar (1500 psi)	±(0.2 x TD + 0.015) x 5	±(0.4 x TD + 0.03) x 5
400 bar (6000 psi)	±(0.35 x TD + 0.02) x 5	±(0.7 x TD + 0.04) x 5
700 bar (10500 psi)	±(0.4 x TD + 0.03) x 5	±(0.7 x TD + 0.04) x 5

## Operating conditions (Installation)

### General installation instructions

- For PMP75: See → 72, "Installation instructions" section.
- The position-dependent zero point shift can be corrected directly at the device via operating keys, and also in hazardous areas in the case of devices with external operation. Diaphragm seals also shift the zero point, depending on the installation position (→ See also → 72, "Installation instructions" section).
- The housing of the Cerabar S can be rotated 380°. See → 26, "Turning the housing" section.
- Endress+Hauser offers a mounting bracket for installing the device on pipes or walls. → See also → 25, "Wall and pipe-mounting" section.
- Use flushing rings for flange and cell diaphragm seals if buildup or clogging can be expected at the diaphragm seal connection. The flushing ring can be fitted between the process connection and diaphragm seal. Material buildup in front of the process isolating diaphragm can be flushed away, and the pressure chamber vented, via the two lateral flushing holes.

### Measuring arrangement for devices without diaphragm seals – PMC71, PMP71

Cerabar S transmitters without diaphragm seals are mounted as per the norms for a manometer (DIN EN 837-2). We recommend the use of shutoff devices and siphons. The orientation depends on the measuring application.

#### Pressure measurement in gases

- Mount Cerabar S with shutoff device above the tapping point so that any condensate can flow into the process.

#### Pressure measurement in steams

- Mount Cerabar S with siphon below the tapping point. The siphon reduces the temperature to almost the ambient temperature.
- Fill the siphon with liquid before commissioning.

#### Pressure measurement in liquids

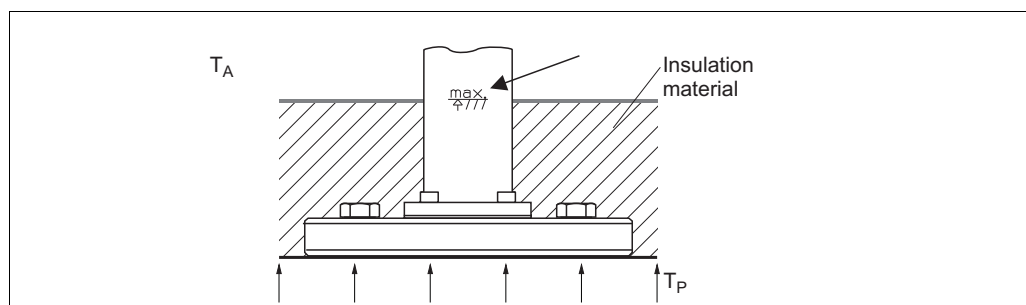
- Mount Cerabar S with shutoff device below or at the same level as the tapping point.

#### Level measurement

- Mount Cerabar S below the lowest measuring point.
- Do not mount the device at the following positions:  
In the filling curtain, in the tank outlet or at a point in the container which could be affected by pressure pulses from an agitator or a pump.
- The adjustment and functional test can be carried out more easily if you mount the device downstream of a shutoff device.

### Heat insulation – PMC71 high-temperature version

The PMC71 high-temperature version must only be insulated up to a certain height. The maximum permitted insulation height is indicated on the devices and applies to an insulation material with a heat conductivity  $\leq 0.04 \text{ W}/(\text{m} \times \text{K})$  and to the maximum permitted ambient and process temperature (→ see table below). The data were determined under the most critical application "quiescent air".



P01-PMx7xxxx-11-xxx-xxx-010

Maximum insulation height, here indicated on a PMC71 with a flange

	PMC71 high-temperature version
Ambient temperature ( $T_A$ )	$\leq 70 \text{ °C}$ (158 °F)
Process temperature ( $T_P$ )	$\leq 150 \text{ °C}$ (302 °F)



**Measuring arrangement for devices with diaphragm seals – PMP75**

- See → 70, "Planning instructions, diaphragm seal systems" section.

**Wall and pipe-mounting**

Endress+Hauser offers a mounting bracket for installing the device on pipes or walls. See also → 76 ff, feature 110, "Additional option 2" or separate accessory (part number: 71102216). For the dimensions, see → 60.

**"Separate housing" version**

With the "separate housing" version, you are able to mount the housing with the electronics insert at a distance from the measuring point. This version facilitates trouble-free measurement:

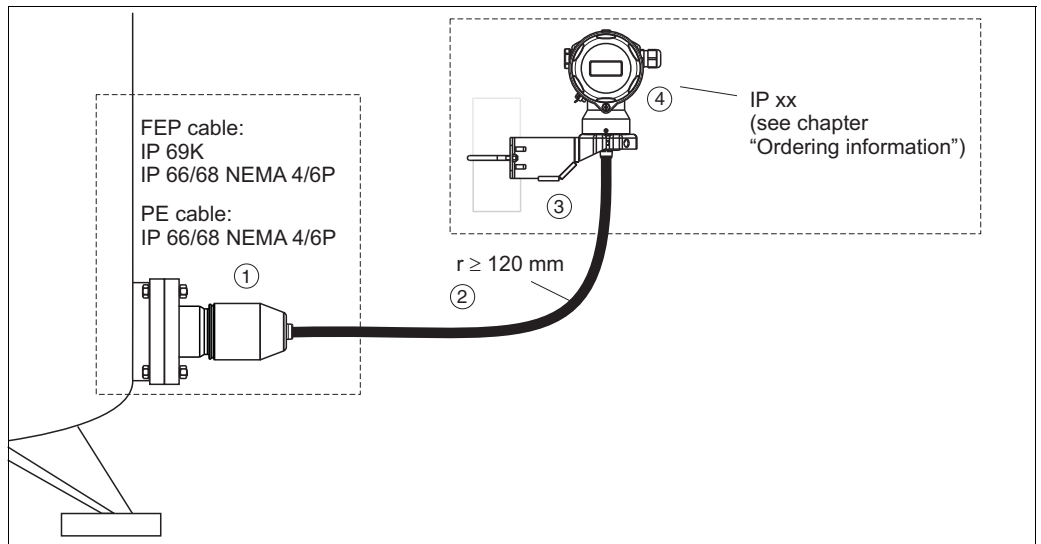
- Under particularly difficult measuring conditions (at installation locations that are cramped or difficult to access)
- If rapid cleaning of the measuring point is required
- If the measuring point is exposed to vibrations
- For compact installations

You can choose between different cable versions:

- PE (2 m (6.6 ft), 5 m (16 ft) and 10 m (33 ft))
- FEP (5 m (16 ft)).

→ 78 ff, feature 110, "Additional option 2", version "G".

For the dimensions, → 60.



*In the case of the "separate housing" version, the sensor is delivered with the process connection and cable ready mounted. The housing and a mounting bracket are enclosed as separate units. The cable is provided with a socket at both ends. These sockets are simply connected to the housing and the sensor.*

- 1 Process connection with sensor
- 2 Cable, both ends are fitted with a socket
- 3 Mounting bracket provided, suitable for pipe and wall mounting
- 4 Housing with electronic insert

Degree of protection for the process connection and sensor with the use of

- FEP cable:
  - IP 69K
  - IP 66 NEMA 4/6P
  - IP 68 (1.83 mH<sub>2</sub>O for 24 h) NEMA 4/6P
- PE cable:
  - IP 66 NEMA 4/6P
  - IP 68 (1.83 mH<sub>2</sub>O for 24 h) NEMA 4/6P

Technical data of the PE and FEP cable:

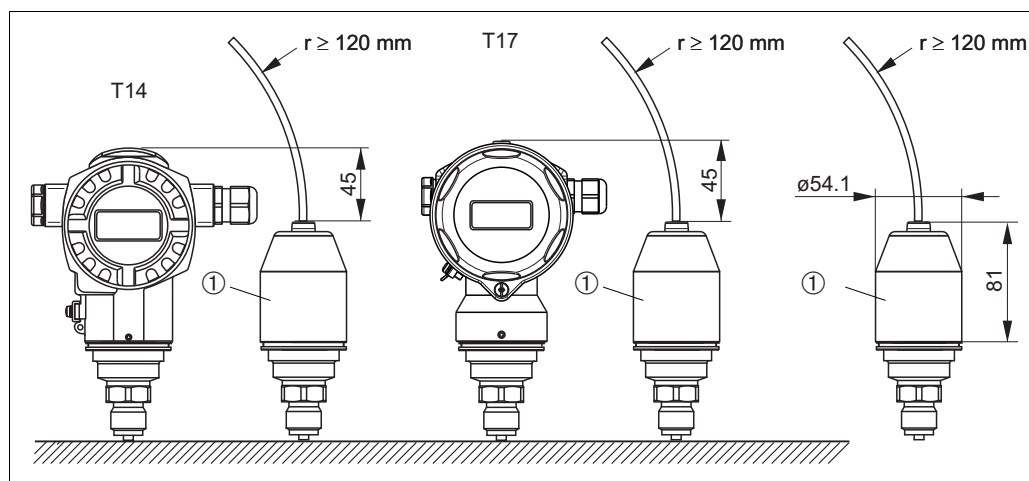
- Minimum bending radius: 120 mm (4.72 in)
- Cable extraction force: max. 450 N (101 lbf)
- Resistance to UV light

Use in hazardous area:

- Intrinsically safe installations (Ex ia/IS)
- FM/CSA IS: for Div. 1 installation only

### Reduction of the installation height

If the separate housing is used, the installation height of the process connection is reduced compared to the dimensions of the standard version.



P01-xxxxxxx-06-xx-xx-xx-002

Reduction of the installation height of the process connection when using the separate housing.

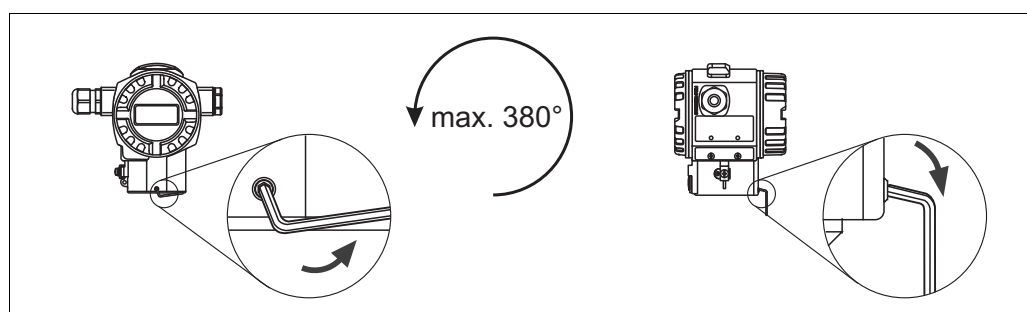
1 Process connection adapter.

### Turning the housing

The housing can be rotated 380° by loosening the Allen screw.

#### Your benefits

- Simple mounting by optimally aligning the housing
- Good, accessible device operation
- Optimum readability of the onsite display (optional).



P01-PMx7xxxx-17-xx-xx-xx-000

Aligning the housing by releasing the setscrew

T14 housing: 2 mm (0.08 in) Allen screw; T17 housing: 3 mm (0.12 in) Allen screw

**Oxygen applications**

Oxygen and other gases can react explosively to oils, grease and plastics, such that, among other things, the following precautions must be taken:


- All components of the system, such as measuring devices, must be cleaned in accordance with the BAM (DIN 19247) requirements.
- Dependent on the materials used, a certain maximum temperature and a maximum pressure for oxygen applications must not be exceeded.

The devices suitable for gaseous oxygen applications are listed in the following table with the specification  $p_{\max}$ .

Order code for devices <sup>1</sup> cleaned for oxygen applications	$p_{\max}$ for oxygen applications	$T_{\max}$ for oxygen applications
PMC71 – * * * * * 2 * * , Devices with sensors, nominal value < 10 bar (150 psi)	Over pressure limit (OPL) of sensor <sup>2,3</sup>	60 °C (140 °F)
PMC71 – * * * * * 2 * * , Devices with sensors, nominal value ≥ 10 bar (150 psi)	30 bar (450 psi)	60 °C (140 °F)
PMP71 – * * * * * N * *	Dependent on the lowest-rated element, with regard to pressure, of the selected components: over pressure limit (OPL) of the sensor <sup>1</sup> , process connection (1.5 x PN) or fill fluid (160 bar (2400 psi))	85 °C (185 °F)
PMP75 – * * * * * N * *	Dependent on the lowest-rated element, with regard to pressure, of the selected components: over pressure limit (OPL) of the sensor <sup>1</sup> , process connection (1.5 x PN) or fill fluid (160 bar (2400 psi))	85 °C (185 °F)

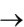

- 1) Only devices, not accessories or enclosed accessories.
- 2) →  76 ff "Ordering information", feature 40 "Sensor range; Sensor over pressure limit (= OPL)"
- 3) PMC71 with PVDF thread or flange  $p_{\max} = 15$  bar (225 psi)

**Silicone-free applications**

Special cleaning of the transmitter to remove paint-wetting substances, for use in paint shops →  78 "Ordering information PMC71", feature 80 "Seal", version "L" and "M".

**Ultrapure gas applications**

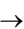

Endress+Hauser also offers devices for special applications, such as ultrapure gas, cleaned from oil and grease. No special restrictions regarding the process conditions apply to these devices.

→  76, "Ordering information PMC71", feature 80 "Seal" or →  82, "Ordering information PMP71", feature 90 "Fill fluid".

**Applications with hydrogen**

With regard to materials in which hydrogen formation takes place, hydrogen atoms can diffuse through the metal process isolating diaphragm. This can result in incorrect measurement results.

Endress+Hauser offers process isolating diaphragms with gold-rhodium coating for this application.

→  80 "Ordering information PMP71" and →  84 "Ordering information PMP75", feature 60 "Membrane material" version "6".

## Operating conditions (Environment)

### Ambient temperature range

Version	PMC71 high-temperature version	PMC71	PMP71 <sup>1)</sup>	PMP75 <sup>1)</sup>
Without LCD display	-20 to +70 °C (-4 to +158 °F)	-40 to +85 °C (-40 to +185 °F)		
With LCD display <sup>2)</sup>		-20 to +70 °C (-4 to +158 °F)		
With M12 connector, elbowed		-25 to +85 °C (-13 to +185 °F)		
With separate housing	-20 to +50 °C (-40 to +140 °F) (installation without insulation)			—
Diaphragm seal systems	—	—	—	→ 70

- 1) Lower temperatures on request
- 2) Extended temperature application range (-40 °C to +85 °C (-40 °F to +185 °F)) with restrictions in optical properties such as display speed and contrast

#### Note!

For high-temperature applications, either a PMP75 with a temperature isolator or with a capillary can be used. If vibrations also occur in the application, Endress+Hauser recommends using a PMP75 with a capillary. If a PMP75 with a temperature isolator or capillary is used, we recommend a suitable retaining unit for mounting (see "Wall and pipe-mounting" section on → 25).

For devices for use in hazardous areas, see Safety Instructions, Installation or Control Drawing. (→ 89 ff, "Safety Instructions" and "Installation/Control Drawings" sections)

### Storage temperature range

- -40 to +90 °C (-40 to +194 °F)
- Onsite display: -40 to +85 °C (-40 to +185 °F)
- Separate housing: -40 to +60 °C (-40 to +140 °F)

### Degree of protection

- → See Page 76 ff, feature 30 "Housing; Cable entry; Protection".
- Degree of protection IP 68 for T17 housing: 1.83 mH<sub>2</sub>O for 24 h
- Separate housing → 25

### Climate class

Class 4K4H (air temperature: -20 to 55 °C (-4 to 131 °F), relative humidity: 4 to 100 %) fulfilled as per DIN EN 60721-3-4 (condensation possible. With PMC71, avoid condensate in the device).

### Vibration resistance

Device/accessory	Test standard	Vibration resistance
PMC71 <sup>1)</sup>	GL	Guaranteed for 3 to 25 Hz: ±1.6 mm (0.063 in); 25 to 100 Hz: 4 g in all 3 planes
PMP71		
PMP75 <sup>2,3)</sup>		
With mounting bracket	IEC 61298-3	Guaranteed for 10 to 60 Hz: ±0.15 mm (0.0059 in); 60 to 500 Hz: 2 g in all 3 planes

- 1) Not for high-temperature version with Ex d[ia], CSA XP or FM XP
- 2) With aluminum T14 housing only
- 3) For high-temperature applications, either a PMP75 with a temperature isolator or with a capillary can be used. If vibrations also occur in the application, Endress+Hauser recommends using a PMP75 with a capillary. If a PMP75 with a temperature isolator or capillary is used, it must be mounted with a mounting bracket (→ 25).

- Electromagnetic compatibility**
- Electromagnetic compatibility to EN 61326 and NAMUR recommendation EMC (NE21). For details refer to the Declaration of Conformity.
  - With enhanced immunity against electromagnetic fields as per EN 61000-4-3: 30 V/m with closed cover <sup>1</sup>
  - Maximum deviation: < 0.5 % of span
  - All EMC measurements were performed with a turn down (TD) = 2:1.

1) For devices with T14 housing

---

**Overvoltage protection (optional)**

- Overvoltage protection:
  - Nominal functioning DC voltage: 600 V
  - Nominal discharge current: 10 kA
- Surge current check  $\hat{i} = 20$  kA as per DIN EN 60079-14: 8/20  $\mu$ s satisfied
- Arrester AC current check  $I = 10$  A satisfied

→ 76 ff, feature 100 "Additional option 1" and feature 110 "Additional option 2", version "M Overvoltage protection".

Note!

Devices with integrated overvoltage protection must be grounded.

## Operating conditions (Process)

### Process temperature limits

#### PMC71 (with ceramic process isolating diaphragm)

- -25 to +125 °C (-13 to +257 °F)
- High-temperature version: -20 to +150 °C (-4 to +302 °F); → 76, feature 100 "Additional option 1", version "T".
- With applications involving saturated steam, a Cerabar S with a metal process isolating diaphragm must be used, or a siphon for temperature isolation should be provided during installation.
- Observe the process temperature range of the seal in the following table.

Versions for feature 80 in the order code	Seal	Process temperature range
A, L	FKM Viton	-25 to +125 °C/150 °C (-13 to +257 °F/302 °F) <sup>1</sup>
B <sup>2</sup>	EPDM (FDA 21CFR177.2600; 3A Class II; USP Class VI) DVGW (KTW, W270, W534), WRAS, ACS, NSF61	-20 to +125 °C/150 °C (-13 to +257 °F/302 °F) <sup>1</sup>
B	EPDM	-20 to +125 °C (-4 to +257 °F)
D, M	Kalrez, Compound 4079	+5 to +125 °C/150 °C (-41 to +257 °F/302 °F) <sup>1</sup>
E	Chemraz, Compound 505	-10 to +125 °C/150 °C (14 to +257 °F/302 °F) <sup>1</sup>
F <sup>2</sup>	HNBR (FDA 21CFR177.2600; 3A Class II; KTW; AFNOR; BAM)	-25 to +125 °C (-13 to +257 °F)
F	NBR	-10 to +100 °C (14 to +212 °F)
G	FKM Viton, FDA	-5 to +125 °C (-23 to +257 °F)
1	FKM Viton, cleaned from oil and grease	-10 to +125 °C/150 °C (14 to +257 °F/302 °F) <sup>1</sup>
2	FKM Viton, cleaned for oxygen service	-10 to +60 °C (14 to +140 °F)
The process temperature ranges specified here refer to permanent application of the PMC71. They may be exceeded for a short time (e.g. for cleaning).		

- 1) 150 °C (302 °F): for high-temperature version
- 2) These seals are used for devices with 3A-approved process connections.

#### Applications with jumps in temperature

Extreme jumps in temperature can result in temporary measuring errors. Temperature compensation takes effect after several minutes. Internal temperature compensation is faster the smaller the jump in temperature and the longer the time interval involved.

For further information please contact your local Endress+Hauser Sales Center.

#### PMP71 (with metal process isolating diaphragm)

Description	Temperature operating range
Process connections with internal process isolating diaphragm	-40 to +125 °C (-40 to +257 °F) (+150 °C (302 °F) for max. one hour)
Process connections with flush-mounted process isolating diaphragm, G 1 A, G 1 1/2 A, G 2 A, 1 NPT, 1 1/2 NPT, 2 NPT, M 44 x 1.25, EN/DIN, ANSI and JIS flanges	-40 to +100 °C (-40 to +212 °F)
Process connections with flush-mounted process isolating diaphragm, G 1/2 A, M20x1.5	-20 to +85 °C (-4 to 185 °F)

**PMP75 (with diaphragm seal)**

- Depending on the diaphragm seal and filling oil from -70 °C (-94 °F) to +400 °C (+752 °F). Observe the temperature application limits → 70.

Note!

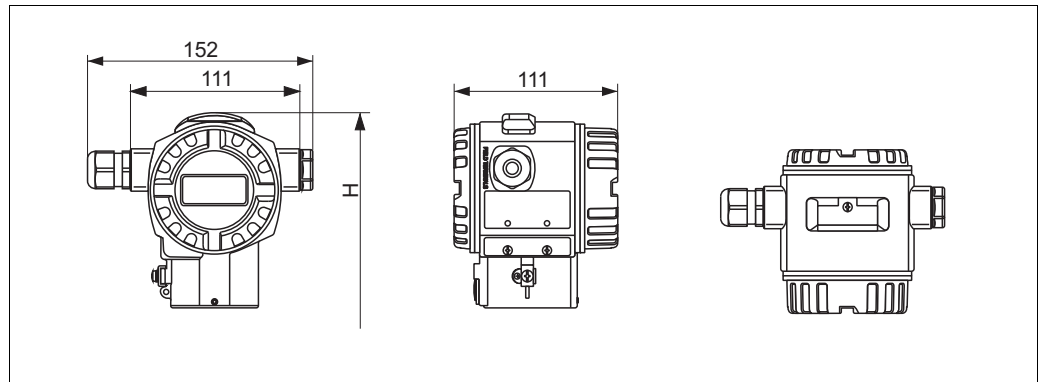
- Do not use diaphragm seals with 0.09 mm (0.0035 in) PTFE foil on AISI 316L (1.4435/1.4404) for vacuum applications, upper temperature limit +204 °C (+399 °F).
- For oxygen applications, observe → 27, "Oxygen applications" section.

**Pressure specifications**

- The maximum pressure for the measuring device depends on the lowest-rated element with regard to pressure.  
See the following sections:
    - → 7 ff, "Measuring range" section
    - "Mechanical construction" section.
 The MWP (maximum working pressure) is specified on the nameplate. This value refers to a reference temperature of 20°C (68°F), or 100°F (38 °C) for ANSI flanges, and may be applied to the device for an unlimited time. Observe the temperature dependency of the MWP.
  - The pressure values permitted at higher temperatures can be found in the following standards:
    - EN 1092-1: 2001 Tab. 18 <sup>1</sup>
    - ASME B 16.5a – 1998 Tab. 2-2.2 F316
    - ASME B 16.5a – 1998 Tab. 2.3.8 N10276
    - JIS B 2220
  - The test pressure corresponds to the over pressure limit of the device ( $OPL = 1.5 \times MWP^2$ ) and may be applied for only a limited time period in order to avoid permanent damage.
  - The Pressure Equipment Directive (EC Directive 97/23/EC) uses the abbreviation "PS". The abbreviation "PS" corresponds to the MWP (maximum working pressure) of the measuring device.
  - In the case of sensor range and process connections where the over pressure limit (OPL) of the process connection is smaller than the nominal value of the sensor, the device is set at the factory, at the very maximum, to the OPL value of the process connection. If you want to use the entire sensor range, select a process connection with a higher OPL value ( $1.5 \times PN$ ;  $MWP = PN$ ).
  - In oxygen applications, the values for " $p_{max}$  and  $T_{max}$  for oxygen applications" as per → 27, "Oxygen applications" may not be exceeded.
- 1) With regard to their stability-temperature property, the materials 1.4435 and 1.4404 are grouped together under 13EO in EN 1092-1: 2001 Tab. 18. The chemical composition of the two materials can be identical.
  - 2) The equation does not apply for PMP71 and PMP75 with a 40 bar (600 psi) or 100 bar (1500 psi) measuring cell.

## Mechanical construction

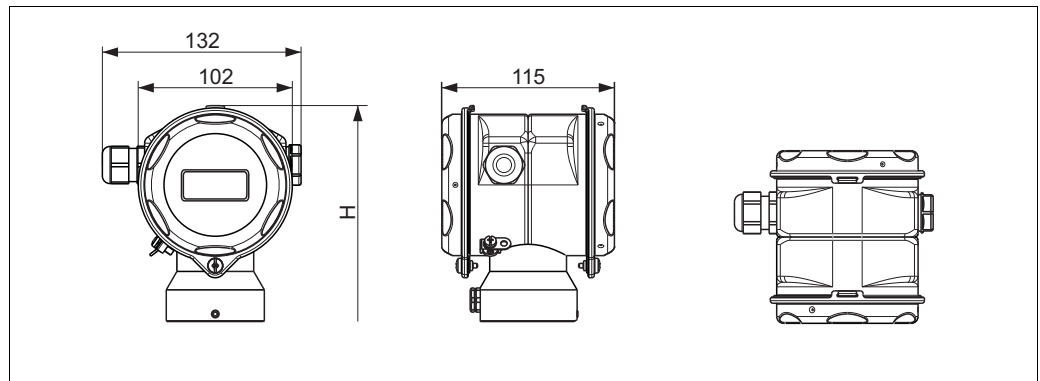
### Dimensions of T14 housing, optional display on the side



Front view, left-hand side view, top view

→ Installation height  $H$ , see process connection in question. Housing weight → 60.

### Dimensions of T17 housing (hygienic), optional display on the side



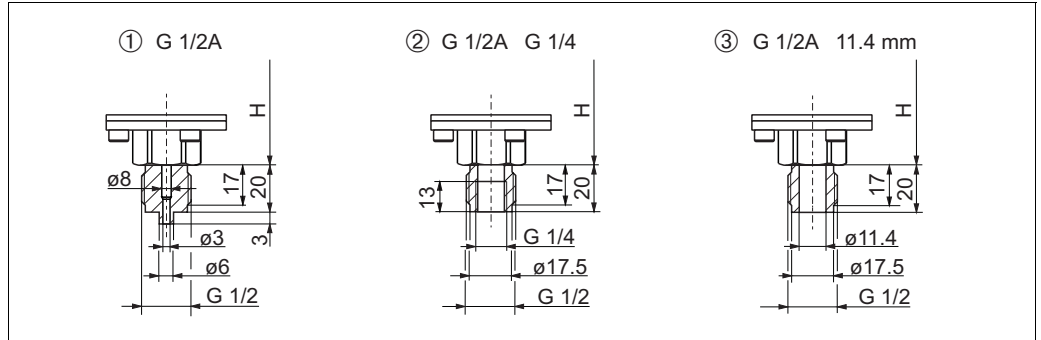
Front view, left-hand side view, top view

→ Installation height  $H$ , see process connection in question. Housing weight → 60.



**Process connections PMC71  
(with ceramic process  
isolating diaphragm)**

**Thread, internal process isolating diaphragm**

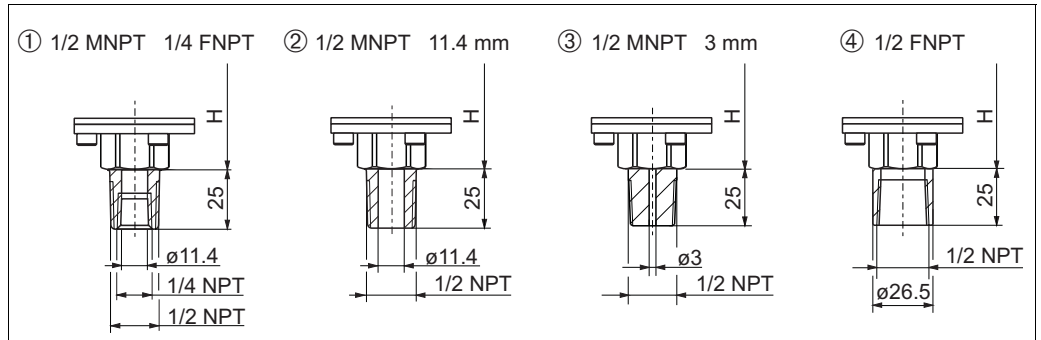


P01-PMC71 xxx-06-09-xx-xx-001

Process connections PMC71, thread ISO 228

Installation height → 34.

- 1 Thread ISO 228 G 1/2 A EN 837;  
Material version GA: AISI 316L, version GB: Alloy C276, version GC: Monel,  
version GD: PVDF (max.: 15 bar (225 psi), -10 to +60 °C/+14 to +140 °F), only mount version "GD" with a  
mounting bracket (→ see also Page 25); weight: 0.63 kg (1.39 lbs)
- 2 Thread ISO 228 G 1/2 A G 1/4 (female);  
Material version GE: AISI 316L, version GF: Alloy C276, version GG: Monel;  
Weight: 0.63 kg (1.39 lbs)
- 3 Thread ISO 228 G 1/2 A hole 11.4 mm;  
Material version GH: AISI 316L, version GJ: Alloy C276, version GK: Monel;  
Weight: 0.63 kg (1.39 lbs)

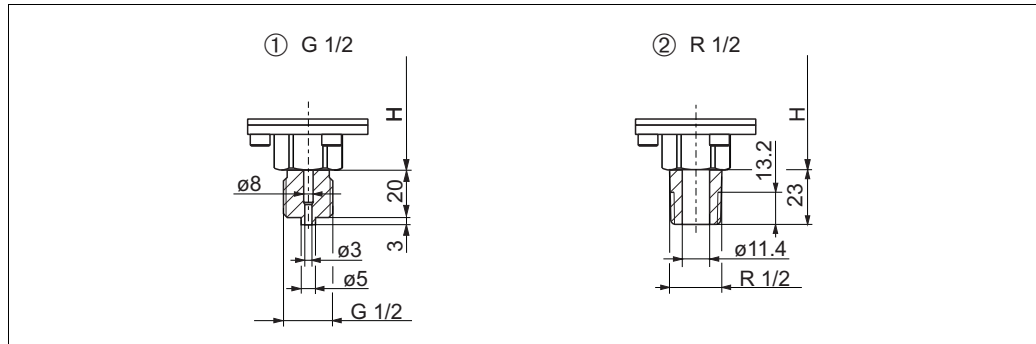


P01-PMC71 xxx-06-09-xx-xx-002

Process connections PMC71, thread ANSI

Installation height → 34.

- 1 Thread ANSI 1/2 MNPT 1/4 FNPT;  
Material version RA: AISI 316L, version RB: Alloy C276, version RC: Monel;  
Weight: 0.63 kg (1.39 lbs)
- 2 Thread ANSI 1/2 MNPT hole 11.4 (0.45 in);  
Material version RD: AISI 316L, version RE: Alloy C276, version RF: Monel;  
Weight: 0.63 kg (1.39 lbs)
- 3 Thread ANSI 1/2 MNPT hole 3 mm (0.12 in);  
Material version RG: PVDF (max.: 15 bar (225 psi), -10 to +60 °C/+14 to +140 °F) - only mount with a mounting  
bracket  
(→ 25); Weight: 0.63 kg (1.39 lbs)
- 4 Thread ANSI 1/2 FNPT;  
Material version RH: AISI 316L, version RJ: Alloy C276, version RK: Monel;  
Weight: 0.63 kg (1.39 lbs)



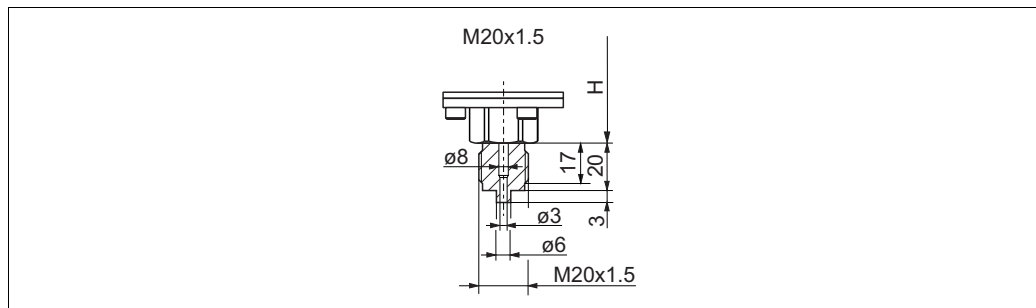
P01-PMC71xxx-06-09-xx-xx-003

Process connections PMC71, thread JIS

Installation height H → 34.

1 Version GL: thread JIS B0202 G 1/2 (male), material: AISI 316L; weight: 0.63 kg (1.39 lbs)

2 Version RL: thread JIS B0203 R 1/2 (male), material: AISI 316L; weight: 0.63 kg (1.39 lbs)



P01-PMC71xxx-06-09-xx-xx-004

Process connections PMC71 thread DIN 13 M 20x1.5 hole 3 mm (0.12 in)

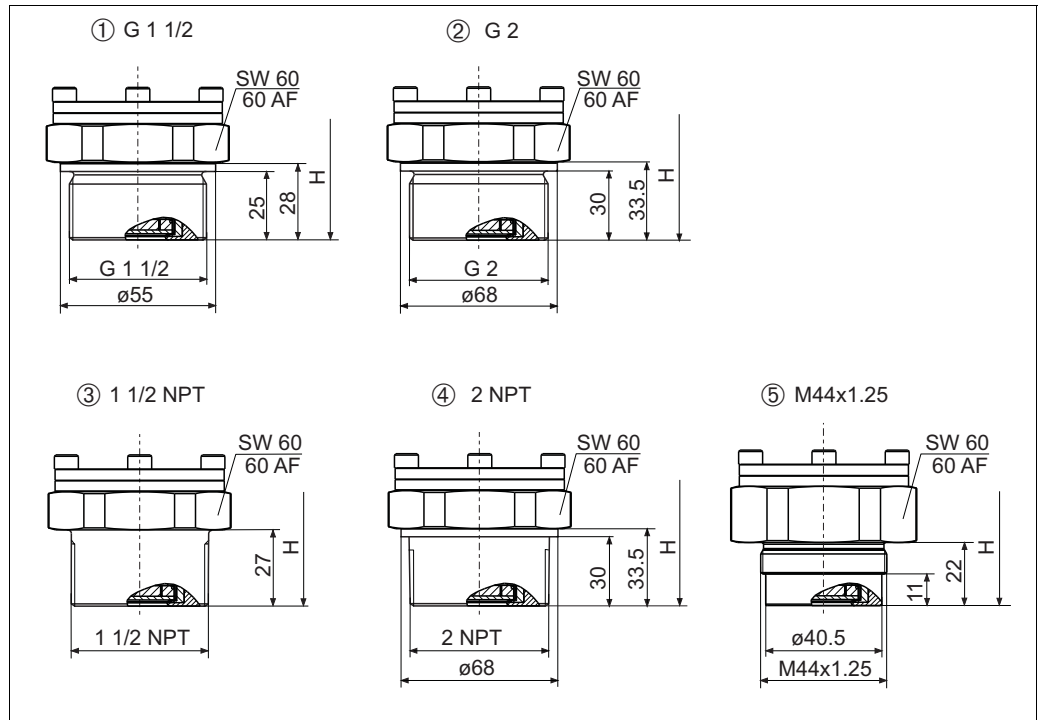
Material version GP: AISI 316L, version GQ: Alloy C276; weight: 0.63 kg (1.39 lbs)

Installation height H → 34.

**Installation height H for devices with threaded connection and internal process isolating diaphragm**

Description	T14 housing	T17 housing
PMC71	155 mm (6.1 in)	171 mm (6.73 in)
PMC71 with Ex d[ia], CSA XP or FM XP	225 mm (8.86 ft)	241 mm (9.94 in) (Ex d = 311 mm (12.2 in))
PMC71 high-temperature version	235 mm (9.25 in)	251 mm (9.88 in)
PMC 71 high-temperature version with Ex d[ia], CSA XP or FM XP	305 mm (12 in)	321 mm (12.6 in) (Ex d = 391 mm (15.4 in))

**Thread, flush-mounted process isolating diaphragm**



P01-PMC71xxxx-06-09-xx-xx-005

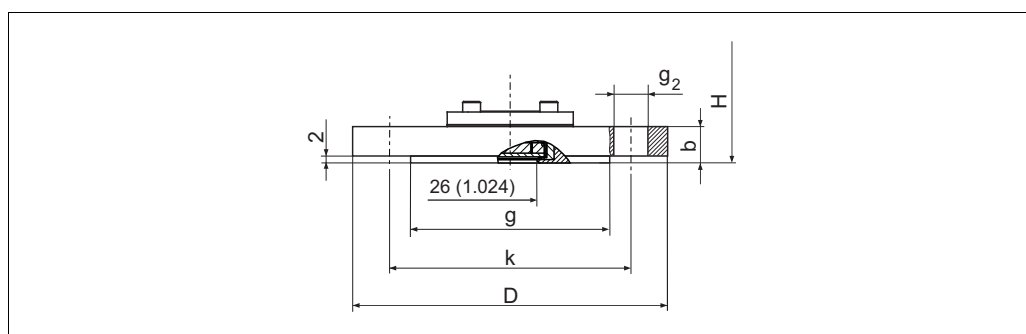
Process connections PMC71,  
→ Installation height see table below.

- 1 Thread ISO 228 G 1 1/2 A;  
Material version 1G: AISI 316L, version 1H: Alloy C276, version 1J: Monel;  
Weight: 0.63 kg (1.39 lbs)
- 2 Thread ISO 228 G 2 A;  
Material version 1K: AISI 316L, version 1L: Alloy C276, version 1M: Monel;  
Weight: 0.63 kg (1.39 lbs)
- 3 Thread ANSI 1 1/2 MNPT;  
Material version 2D: AISI 316L, version 2E: Alloy C276, version 2F: Monel;  
Weight: 0.63 kg (1.39 lbs)
- 4 Thread ANSI 2 MNPT;  
Material version 2G: AISI 316L, version 2H: Alloy C276, version 2J: Monel;  
Weight: 0.63 kg (1.39 lbs)
- 5 Thread DIN 13 M 44x1.25;  
Material version 1R: AISI 316L, version 1S: Alloy C276; weight: 0.63 kg (1.39 lbs)

**Installation height H for devices with threaded connection and flush-mounted process isolating diaphragm**

Description	T14 housing	T17 housing
PMC71/PMC71 high-temperature version	215 mm (8.46 in)	231 mm (9.09 in)
PMC71/PMC71 high-temperature version: with Ex d[ia], CSA XP or FM XP	280 mm (11 in)	296 mm (11.7 in)

## EN/DIN flanges, connection dimensions as per EN 1092-1/DIN 2527



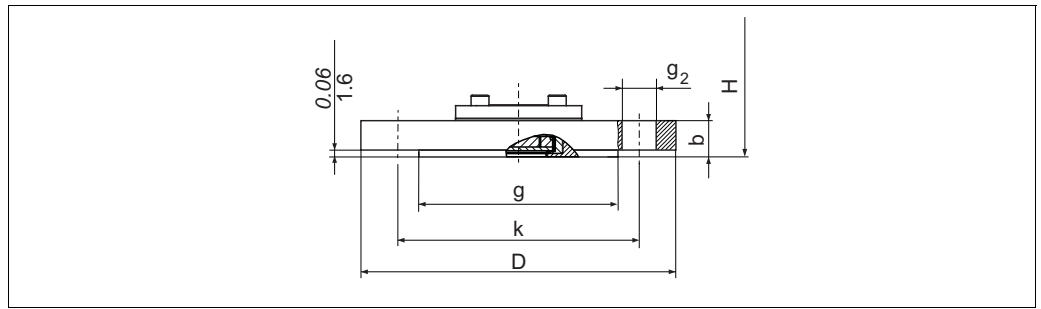
P01-PMC71xxx-06-09-xx-xx-006

Process connection PMC71, EN/DIN flange with raised face (flush-mounted process isolating diaphragm)  
Installation height  $H \rightarrow$  38.

Version	Flange <sup>1</sup>							Boltholes			
	Material	Nominal diameter	Nominal pressure	Shape <sup>2</sup>	Diameter D [mm]	Thickness b [mm]	Raised face g [mm]	Quantity	Diameter g <sub>2</sub> [mm]	Hole circle k [mm]	Flange weight <sup>3</sup> [kg]
CP	AISI 316L	DN 32	PN 10-40	B1 (D)	140	18	77	4	18	100	1.9
CQ	AISI 316L	DN 40	PN 10-40	B1 (D)	150	18	87	4	18	110	2.2
BR	PVDF <sup>4</sup>	DN 50	PN 10-16	B1 (D)	165	21.4	102	4	18	125	0.6
B3	AISI 316L	DN 50	PN 10-40	B1 (D)	165	20	102	4	18	125	3.0
C3	AISI 316L	DN 50	PN 63 (64)	B2 (D)	180	26	102	4	22	135	4.6
BS	PVDF <sup>4</sup>	DN 80	PN 10-16	B1 (D)	200	21.4	138	8	18	160	1.0
B4	AISI 316L	DN 80	PN 10-40	B1 (D)	200	24	138	8	18	160	5.4

- 1) The roughness of the surface in contact with the medium, including the raised face of the flanges (all standards) made of Hastelloy C, Monel or tantalum, is Ra 0.8  $\mu\text{m}$  (31.5  $\mu\text{in}$ ). Lower surface roughness on request.
- 2) Designation as per DIN 2527 in brackets
- 3) Housing weight  $\rightarrow$  60
- 4) Max.: 15 bar (225 psi), -10 to +60 °C (+14 to +140 °F)

**ANSI flanges, connection dimensions as per ANSI B 16.5, raised face RF**



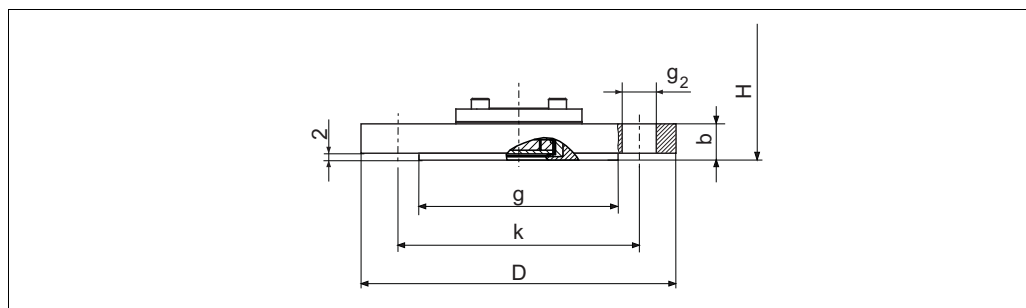
P01-PMC71xxx-06-09-xx-xx-007

Process connection PMC71, ANSI flange with raised face RF (flush-mounted process isolating diaphragm)  
Installation height H → 38.

Ver- sion	Flange <sup>1</sup>						Boltholes			Flange weight <sup>2</sup> [kg]
	Material	Nominal diameter	Class	Diameter	Thickness	Raised face	Quantity	Diameter	Hole circle	
		[in]	[lb./sq.in]	D [in (mm)]	b [in (mm)]	g [in (mm)]		g <sub>2</sub> [in (mm)]	k [in (mm)]	
AE	AISI 316/316L <sup>3</sup>	1 1/2	150	5 (127)	0.69 (17.5)	2.88 (73.2)	4	0.62 (15.7)	3.88 (98.6)	1.0
AQ	AISI 316/316L <sup>3</sup>	1 1/2	300	6.12 (155.4)	0.81 (20.6)	2.88 (73.2)	4	0.88 (22.4)	4.5 (114.3)	2.6
AF	AISI 316/316L <sup>3</sup>	2	150	6 (152.4)	0.75 (19.1)	3.62 (91.9)	4	0.75 (19.1)	4.75 (120.7)	2.4
JR	ECTFE <sup>4</sup>	2	150	6 (152.4)	0.75 (19.1)	3.62 (91.9)	4	0.75 (19.1)	4.75 (120.7)	2.4
A3	PVDF <sup>5</sup>	2	150	6 (152.4)	0.75 (19.1)	3.62 (91.9)	4	0.75 (19.1)	4.75 (120.7)	0.5
AR	AISI 316/316L <sup>3</sup>	2	300	6.5 (165.1)	0.88 (22.4)	3.62 (91.9)	8	0.75 (19.1)	5 (127)	3.2
AG	AISI 316/316L <sup>3</sup>	3	150	7.5 (190.5)	0.94 (23.9)	5 (127)	4	0.75 (19.1)	6 (152.4)	4.9
JS	ECTFE <sup>4</sup>	3	150	7.5 (190.5)	0.94 (23.9)	5 (127)	4	0.75 (19.1)	6 (152.4)	4.9
A4	PVDF <sup>5</sup>	3	150	7.5 (190.5)	0.94 (23.9)	5 (127)	4	0.75 (19.1)	6 (152.4)	0.9
AS	AISI 316/316L <sup>3</sup>	3	300	8.25 (209.5)	1.12 (28.4)	5 (127)	8	0.88 (22.4)	6.62 (168.1)	6.8
AH	AISI 316/316L <sup>3</sup>	4	150	9 (228.6)	0.94 (23.9)	6.19 (157.2)	8	0.75 (19.1)	7.5 (190.5)	7.1
JT	ECTFE <sup>4</sup>	4	150	9 (228.6)	0.94 (23.9)	6.19 (157.2)	8	0.75 (19.1)	7.5 (190.5)	7.1
AT	AISI 316/316L <sup>3</sup>	4	300	10 (254)	1.25 (31.8)	6.19 (157.2)	8	0.88 (22.4)	7.88 (200.2)	11.6

- 1) The roughness of the surface in contact with the medium, including the raised face of the flanges (all standards) made of Hastelloy C, Monel or tantalum, is Ra 0.8 µm (31.5 µin). Lower surface roughness on request.
- 2) Housing weight → 60
- 3) Combination of AISI 316 for required pressure resistance and AISI 316L for required chemical resistance (dual rated)
- 4) ECTFE coating on AISI 316/316L. When operating in hazardous areas, avoid electrostatic charge of the plastic surfaces.
- 5) Max.: 15 bar (225 psi), -10 to +60 °C (+14 to +140 °F)

### JIS flanges, connection dimensions as per JIS B 2220 BL, raised face RF



Process connection PMC71, JIS flange with raised face RF (flush-mounted process isolating diaphragm), material: AISI 316L (1.4435)

→ Installation height  $H$ , see table below.

Version	Flange <sup>1</sup>					Boltholes			Flange weight <sup>2</sup>
	Nominal diameter	Nominal pressure	Diameter D [mm]	Thickness b [mm]	Raised face g [mm]	Quantity	Diameter g <sub>2</sub> [mm]	Hole circle k [mm]	
KF	50 A	10 K	155	16	96	4	19	120	2.0
KL	80 A	10 K	185	18	127	8	19	150	3.3
KH	100 A	10 K	210	18	151	8	19	175	4.4

- 1) The roughness of the surface in contact with the medium, including the raised face of the flanges (all standards) made of Alloy C, Monel or tantalum, is Ra 0.8  $\mu\text{m}$  (31.5  $\mu\text{in}$ ). Lower surface roughness on request.
- 2) Housing weight see → 60

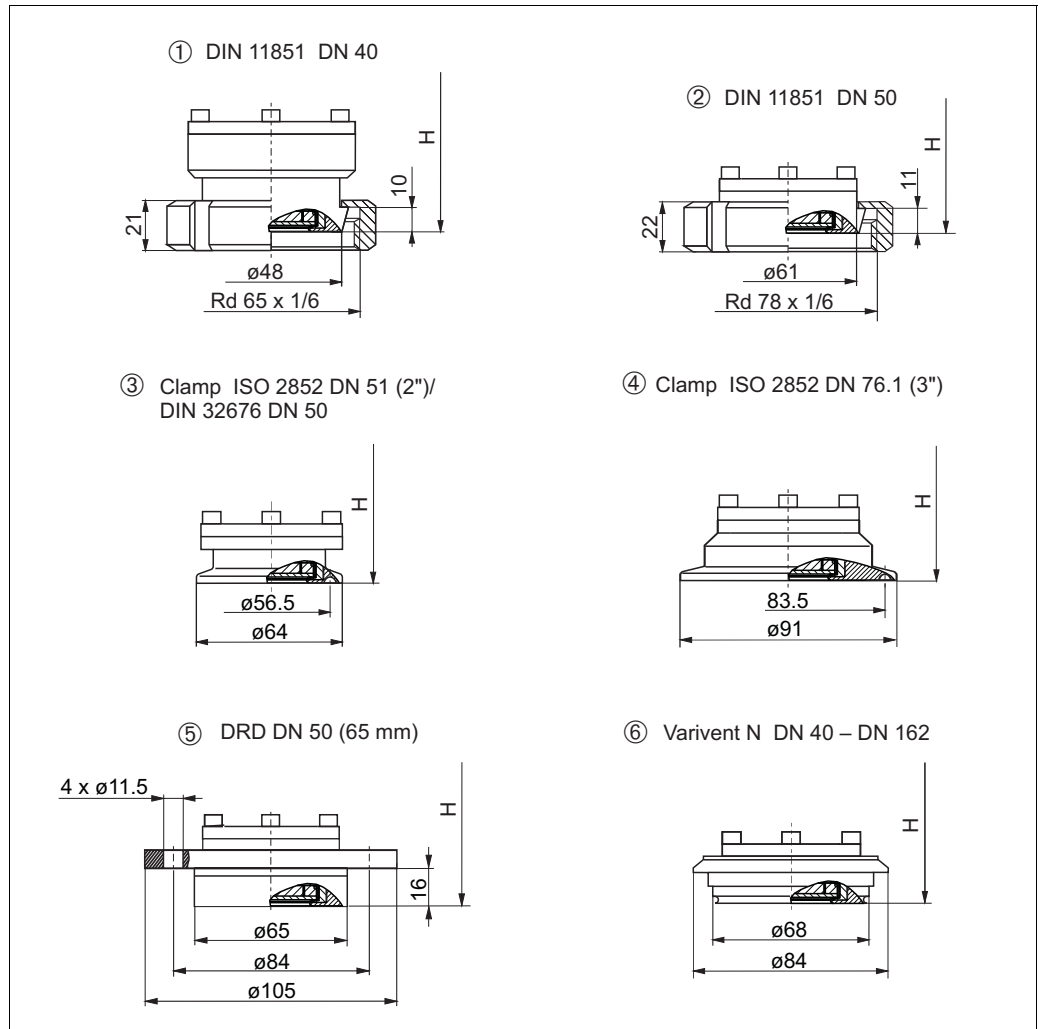
### Installation height $H$ for devices with flange

Description	T14 housing	T17 housing
PMC71	215 mm (8.46 in)	231 mm (9.09 in)
PMC71 with Ex d[ia], CSA XP or FM XP	280 mm (11 in)	296 mm (11.7 in)

**Hygienic connections, flush-mounted process isolating diaphragm**

Note!

Many process connections with an EPDM or HNBR seal are approved for the PMC71 in accordance with the guidelines of the 3A Sanitary Standard. To ensure that the 3A approval is valid for the PMC71 version, a 3A-approved process connection together with an EPDM or HNBR seal must be selected when ordering → 78 "Ordering information PMC71", feature 80 "Seal", version B or F.



P01-PMC71.xxx-06-09-xx-xx-011

Process connections PMC71, hygienic connections, material AISI 316L

Surface roughness of the surfaces in contact with the medium  $R_a \leq 0.8 \mu\text{m}$  (31.5  $\mu\text{in}$ ) as standard. Lower surface roughness on request.

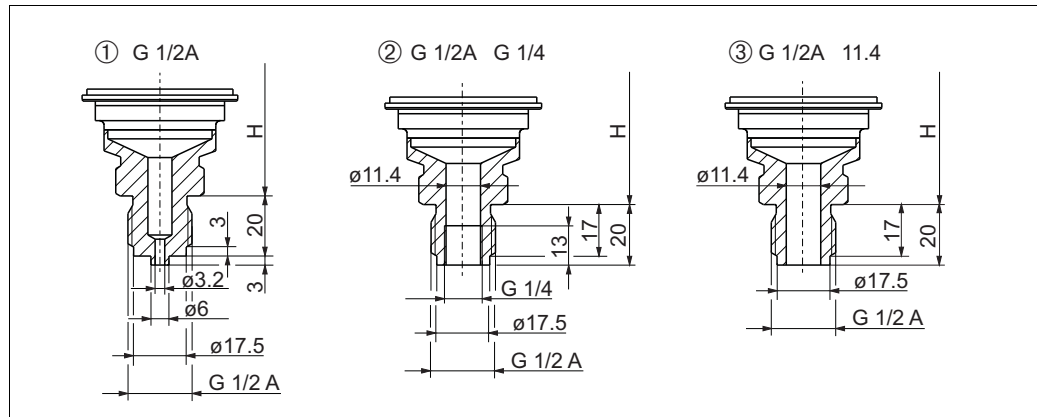
- 1 Version MP: DIN 11851 DN 40 PN 25, 3A with HNBR or EPDM seal
- 2 Version MR: DIN 11851 DN 50 PN 25, 3A with HNBR or EPDM seal
- 3 Version TD: Tri-Clamp ISO 2852 (2\"), DIN 32675 DN 50, 3A with HNBR or EPDM seal
- 4 Version TF: Tri-Clamp ISO 2852 (3\"), 3A with HNBR or EPDM seal
- 5 Version TK: DRD DN 50 (65 mm) PN 25, 3A with HNBR or EPDM seal
- 6 Version TR: Varivent type N for pipes 40 – 162, PN 40, 3A with HNBR or EPDM seal

**Installation height H for devices with hygienic connection and flush-mounted process isolating diaphragm**

Description	T14 housing	T17 housing
PMC71/PMC71 high-temperature version	215 mm (8.46 in)	231 mm (9.09 in)
PMC71/PMC71 high-temperature version: with Ex d[ia], CSA XP or FM XP	280 mm (11 in)	296 mm (11.7 in)

**Process connections PMP71  
(with metal process isolating  
diaphragm)**

**Thread, internal process isolating diaphragm**

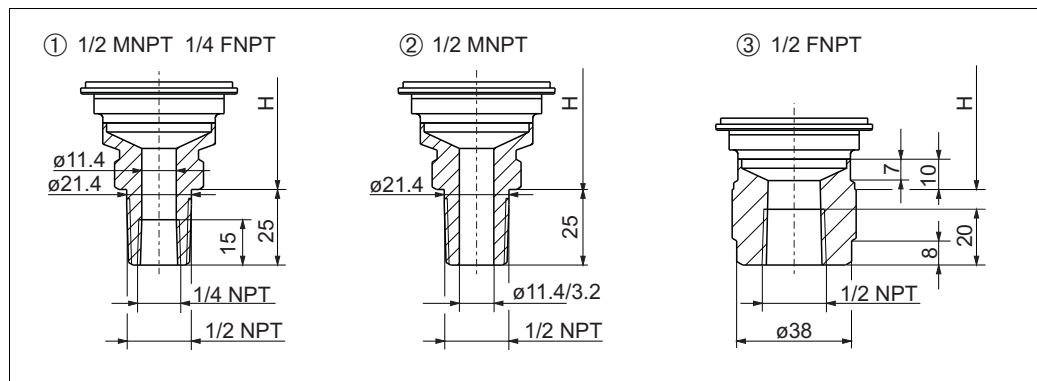


P01-PMP71xxx-06-09-xx-xx-000

Process connections PMP71, thread ISO 228

Installation height H → 41.

- 1 Thread ISO 228 G 1/2 A EN 837;  
Material version GA: AISI 316L, version GB: Alloy C276; weight: 0.6 kg (1.32 lbs)
- 2 Thread ISO 228 G 1/2 A G 1/4 (female);  
Material version GE: AISI 316L, version GF: Alloy C276; weight: 0.6 kg (1.32 lbs)
- 3 Thread ISO 228 G 1/2 A hole 11.4 mm (0.45 in);  
Material version GH: AISI 316L, version GJ: Alloy C276; weight: 0.6 kg (1.32 lbs)



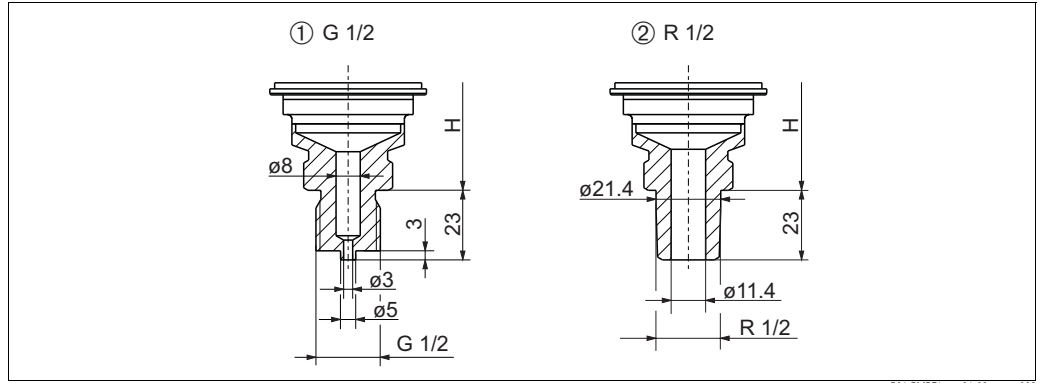
P01-PMP71xxx-06-09-xx-xx-001

Process connections PMP71, thread ANSI

Installation height H → 41.

- 1 Thread ANSI 1/2 MNPT 1/4 FNPT;  
Material version RA: AISI 316L, version RB: Alloy C276; weight: 0.6 kg (1.32 lbs)
- 2 Thread ANSI 1/2 MNPT hole: 400 bar (6000 psi) = 11.4 mm (0.45 in);  
700 bar (10500 psi) = 3.2 mm (0.13 in)  
Material version RD: AISI 316L, version RE: Alloy C276; weight: 0.6 kg (1.32 lbs)
- 3 Thread ANSI 1/2 FNPT;  
Material version RH: AISI 316L, version RJ: Alloy C276; weight: 0.7 kg (1.54 lbs)



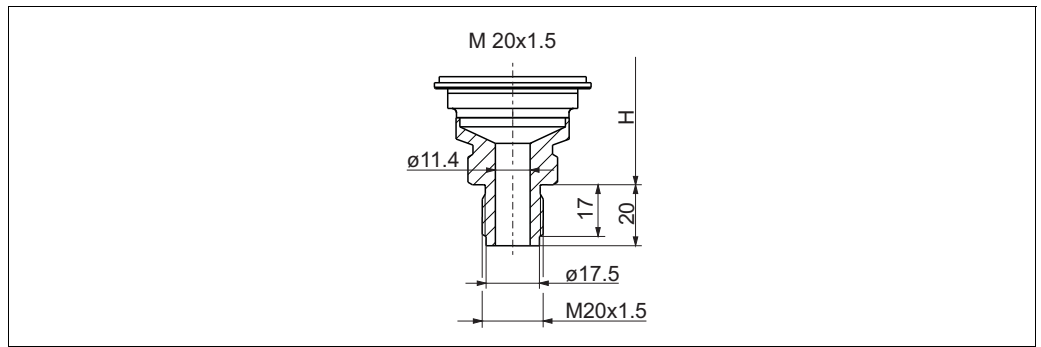


P01-PMP71-xxxx-06-09-xx-xx-002

Process connections PMP71, thread JIS

→ Installation height H see table below.

- 1 Version GL: thread JIS B0202 G 1/2 (male), material: AISI 316L; weight: 0.6 kg (1.32 lbs)
- 2 Version RL: thread JIS B0203 R 1/2 (male), material: AISI 316L; weight: 0.6 kg (1.32 lbs)



P01-PMP71-xxxx-06-09-xx-xx-003

Process connections PMP71 thread DIN 13 M 20x1.5 hole 11.4 mm (0.45 in)

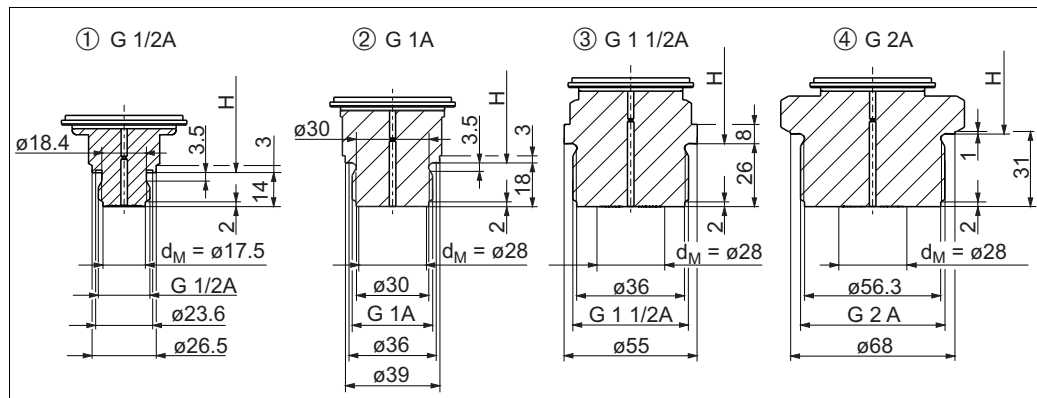
Material version GP: AISI 316L, version GQ: Alloy C276; weight: 0.6 kg (1.32 lbs)

→ Installation height H, see table below.

**Installation height H for devices with threaded connection and internal process isolating diaphragm**

	T14 housing	T17 housing
Height H	165 mm (6.5 in)	181 mm (7.13 in)
	Note! The versions with a 700 bar (10500 psi) sensor are approx. 20 mm (0.79 in) higher.	

**Thread, flush-mounted process isolating diaphragm**

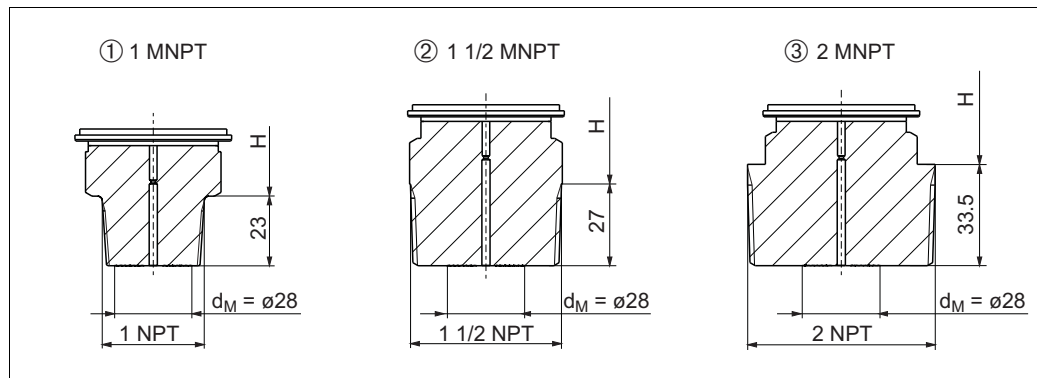


P01-PMP71xxx-06-09-xx-xx-004

Process connections PMP71, thread ISO 228

Installation height H → 43.

- 1 Thread ISO 228 G 1/2 A DIN 3852 (Viton seal included);  
Material version 1A: AISI 316L, version 1B: Alloy C276; weight: 0.4 kg (0.88 lbs)
- 2 Thread ISO 228 G 1 A;  
Material version 1D: AISI 316L, version 1E: Alloy C276; weight: 0.7 kg (1.54 lbs)
- 3 Thread ISO 228 G 1 1/2 A  
Material version 1G: AISI 316L, version 1H: Alloy C276; weight: 1.1 kg (2.43 lbs)
- 4 Thread ISO 228 G 2 A  
Material version 1K: AISI 316L, version 1L: Alloy C276; weight: 1.5 kg (3.31 lbs)

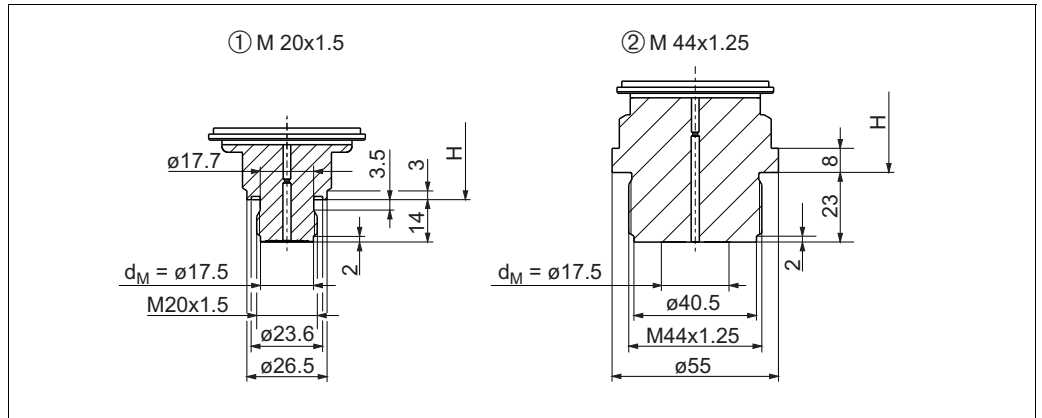


P01-PMP71xxx-06-09-xx-xx-005

Process connections PMP71, thread ANSI

Installation height H → 43.

- 1 Thread ANSI 1 MNPT;  
Material version 2A: AISI 316L, version 2B: Alloy C276; weight: 0.7 kg (1.54 lbs)
- 2 Thread ANSI 1 1/2 MNPT;  
Material version 2D: AISI 316L, version 2E: Alloy C276; weight: 1.0 kg (2.21 lbs)
- 3 Thread ANSI 2 MNPT  
Material version 2G: AISI 316L, version 2H: Alloy C276; weight: 1.3 kg (2.87 lbs)



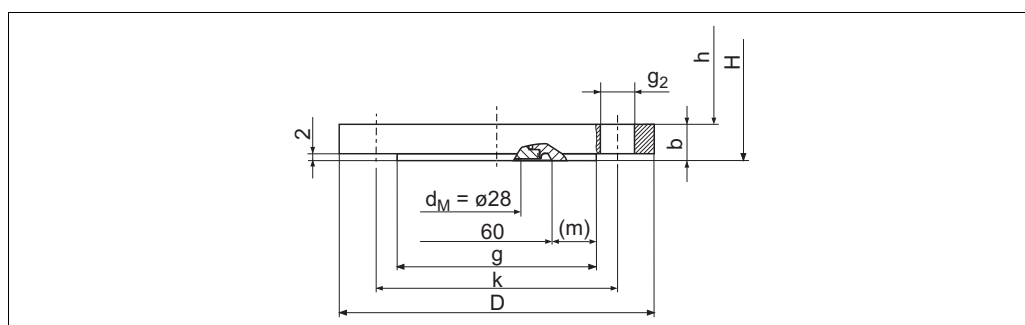
Process connections PMP71, thread DIN  
 → Installation height H see table, below.

- 1 Thread DIN 16288 M20;  
 Material version 1N: AISI 316L, version 1P: Alloy C276; weight: 0.4 kg (0.88 lbs)
- 2 Thread DIN 13 M 44 x 1.25;  
 Material version 1R: AISI 316L, version 1S: Alloy C276; weight: 1.1 kg (2.43 lbs)

**Installation height H for devices with threaded connection and flush-mounted process isolating diaphragm**

Description	T14 housing	T17 housing
G 1/2	163 mm (6.42 in)	179 mm (7.05 in)
G 1	167 mm (6.57 in)	183 mm (7.2 in)
G 1 1/2 A	163 mm (6.42 in)	179 mm (7.05 in)
G 2 A	162 mm (6.38 in)	178 mm (7.01 in)
1 MNPT	162 mm (6.38 in)	178 mm (7.01 in)
1 1/2 MNPT	165 mm (6.5 in)	181 mm (7.13 in)
2 MNPT	159 mm (6.26 in)	175 mm (6.89 in)
M 20x1.5	163 mm (6.42 in)	179 mm (7.05 in)
M 44x1.25	170 mm (6.69 in)	186 mm (7.32 in)

## EN/DIN flanges, connection dimensions as per EN 1092-1/DIN 2527



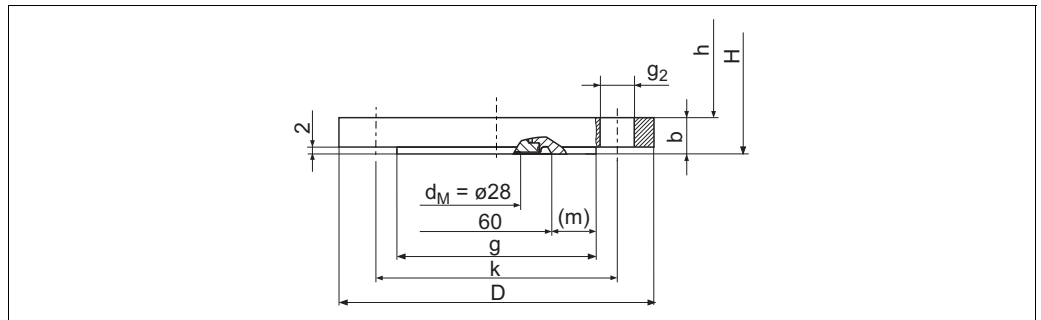
Process connection PMP71, EN/DIN flange with raised face, material AISI 316L

H: device height = height of the device without flange h + flange thickness b  
Height h → 45.

Version	Flange <sup>1</sup>						Boltholes				
	Nominal diameter	Nominal pressure	Shape <sup>2</sup>	Dia- meter D [mm]	Thick- ness b [mm]	Raised face g [mm]	Width of raised face (m) [mm]	Quantity	Diameter g <sub>2</sub> [mm]	Hole circle k [mm]	Flange weight <sup>3</sup> [kg]
CN	DN 25	PN 10-40	B1 (D)	115	18	68 <sup>4</sup>	4	4	14	85	1.2
CP	DN 32	PN 10-40	B1 (D)	140	18	78 <sup>4</sup>	9	4	18	100	1.9
CQ	DN 40	PN 10-40	B1 (D)	150	18	88 <sup>4</sup>	14	4	18	110	2.2
B3	DN 50	PN 10-40	B1 (D)	165	20	102	-	4	18	125	3.0
B4	DN 80	PN 10-40	B1 (D)	200	24	138	-	8	18	160	5.3

- 1) The roughness of the surface in contact with the medium, including the raised face of the flanges (all standards) made of Alloy C, Monel or tantalum, is Ra 0.8 µm (31.5 µin). Lower surface roughness on request.
- 2) Designation as per DIN 2527 in brackets
- 3) Housing weight → 60
- 4) With these process connections the raised face is smaller than described in the standard. Due to a smaller raised face a special seal must be used. Refer to a manufacturer of seals or your local Endress+Hauser Sales Center.

**ANSI flanges, connection dimensions as per ANSI B 16.5, raised face RF**  
**JIS flanges, connection dimensions as per B 2220 BL, raised face RF**



P01-PMP71 xxx-06-09-xx-xx-009

Process connection PMP71, ANSI flange or JIS flange with raised face RF (see table below)

H: device height = height of device without flange  $h$  + flange thickness  $b$ . For the height  $h \rightarrow$  45.

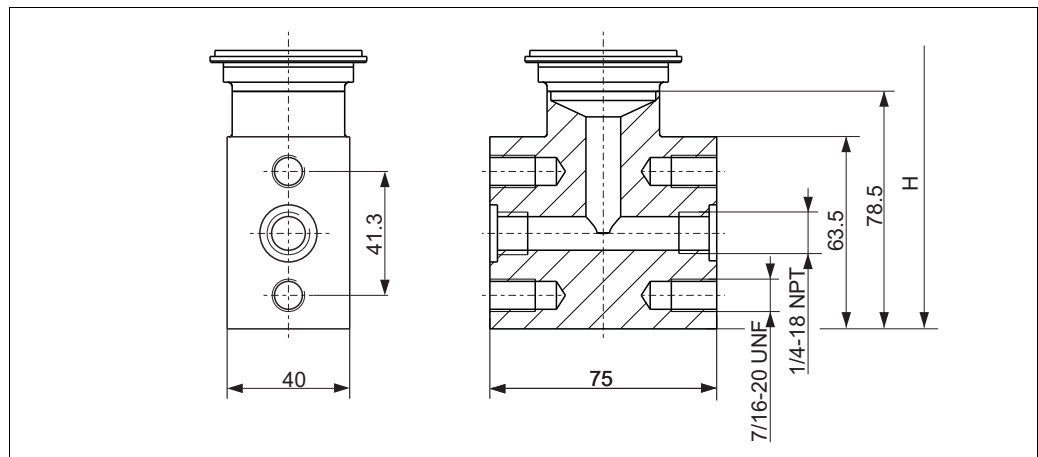
Ver- sion	Flange <sup>1</sup>						Boltholes			Flange weight <sup>2</sup>	
	Material	Nomi- nal dia- meter	Class/ nominal pressure	Diameter	Thickness	Diameter of raised face	Width of raised face	Quan- tity	Diameter		Hole circle
				D [in (mm)]	b [in (mm)]	g [in (mm)]	(m) [in (mm)]	g <sub>2</sub> [in (mm)]	k [in (mm)]		[kg]
<b>ANSI flanges</b>											
AN	AISI 316/316L <sup>3</sup>	1 in	300 lb./sq.in	4.88 (124)	0.69 (17.5)	2.76 <sup>4</sup> (70)	0.2 (5)	4	0.75 (19.1)	3.5 (88.9)	1.3
AE	AISI 316/316L <sup>3</sup>	1 1/2 in	150 lb./sq.in	5 (127)	0.69 (17.5)	2.88 <sup>4</sup> (73.2)	0.52 (6.6)	4	0.62 (15.7)	3.88 (98.6)	1.5
AQ	AISI 316/316L <sup>3</sup>	1 1/2 in	300 lb./sq.in	6.12 (155.4)	0.81 (20.6)	2.88 <sup>4</sup> (73.2)	0.52 (6.6)	4	0.88 (22.4)	4.5 (114.3)	2.6
AF	AISI 316/316L <sup>3</sup>	2 in	150 lb./sq.in	6 (152.4)	0.75 (19.1)	3.62 (91.9)	-	4	0.75 (19.1)	4.75 (120.7)	2.4
AR	AISI 316/316L <sup>3</sup>	2 in	300 lb./sq.in	7.5 (190.5)	0.88 (22.3)	3.62 (91.9)	-	8	0.75 (19.1)	5 (127)	3.2
AG	AISI 316/316L <sup>3</sup>	3 in	150 lb./sq.in	7.5 (190.5)	0.94 (23.9)	5 (127)	-	4	0.75 (19.1)	6 (152.4)	4.9
AS	AISI 316/316L <sup>3</sup>	3 in	300 lb./sq.in	8.25 (209.5)	1.12 (28.4)	5 (127)	-	8	0.88 (22.4)	6.62 (168.1)	6.7
AH	AISI 316/316L <sup>3</sup>	4 in	150 lb./sq.in	9 (228.6)	0.94 (23.9)	6.19 (157.2)	-	8	0.75 (19.1)	7.5 (190.5)	7.1
AT	AISI 316/316L <sup>3</sup>	4 in	300 lb./sq.in	10 (254)	1.25 (31.8)	6.19 (157.2)	-	8	0.88 (22.4)	7.88 (200.2)	11.6
<b>JIS flanges</b>											
KA	AISI 316L	25 A	20 K	125	16	67 <sup>4</sup>	0.14 (3.5)	4	19	90	1.5
KF	AISI 316L	50 A	10 K	155	16	96	-	4	19	120	2.0
KL	AISI 316L	80 A	10 K	185	18	127	-	8	19	150	3.3
KH	AISI 316L	100 A	10 K	210	18	151	-	8	19	175	4.4

- 1) The roughness of the surface in contact with the medium, including the raised face of the flanges (all standards) made of Alloy C, Monel or tantalum, is Ra 0.8  $\mu\text{m}$  (31.5  $\mu\text{in}$ ). Lower surface roughness on request.
- 2) Housing weight  $\rightarrow$  60
- 3) Combination of AISI 316 for required pressure resistance and AISI 316L for required chemical resistance (dual rated)
- 4) With these process connections the raised face is smaller than described in the standard. Due to a smaller raised face a special seal must be used. Refer to a manufacturer of seals or your local Endress+Hauser Sales Center.

**Height h for devices with flange**

	T14 housing	T17 housing
Height h	165 mm (6.5 in)	181 mm (7.13 in)

**Oval flange**

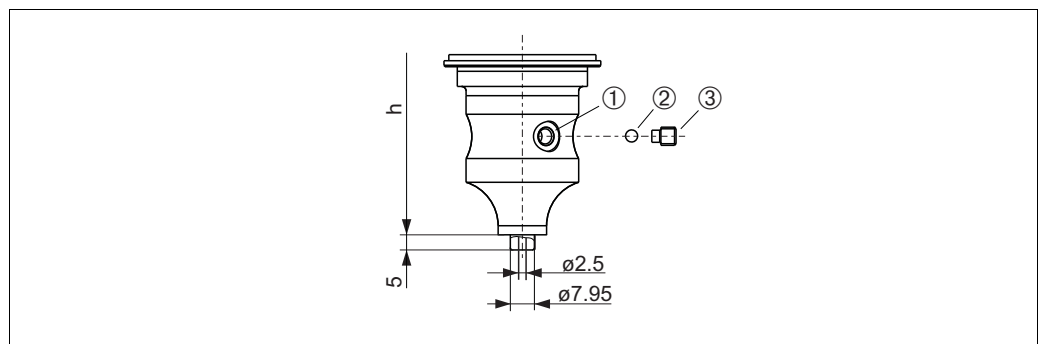


P01-PMP71xxx-06-09-xx-xx-007

Version UR: oval flange adapter 1/4-18 NPT as per IEC 61518, material 316L (1.4404), mounting: 7/16-20 UNF; Weight: 1.9 kg (4.19 lbs)

	T14 housing	T17 housing
Height H	199 mm (7.83 in)	215 mm (8.46 in)

**Prepared for diaphragm seal mount**



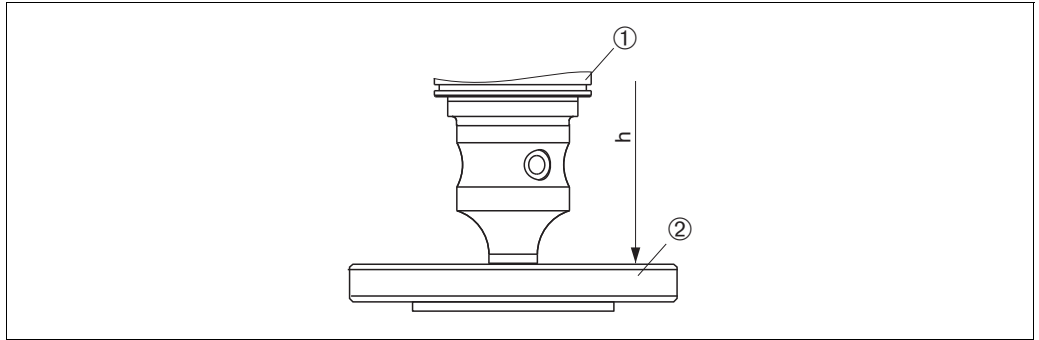
P01-PMP71xxx-06-09-xx-xx-013

Version U1: material AISI 316L (1.4404), prepared for diaphragm seal mount

- 1 Hole for filling fluid
- 2 Bearing DIN 5401 (1.3505)
- 3 Setscrew with hexagonal recess 4 mm (0.16 in), material A2-70

	T14 housing	T17 housing
Height h	190 mm (7.48 in)	204 mm (8.03 in)

**PMP75 basic device**



P01-PMP75xxx-06-09-xx-xx-012

*PMP75 basic device with diaphragm seal*

- 1 PMP75 basic device
- 2 Diaphragm seal, here e.g. flange diaphragm seal

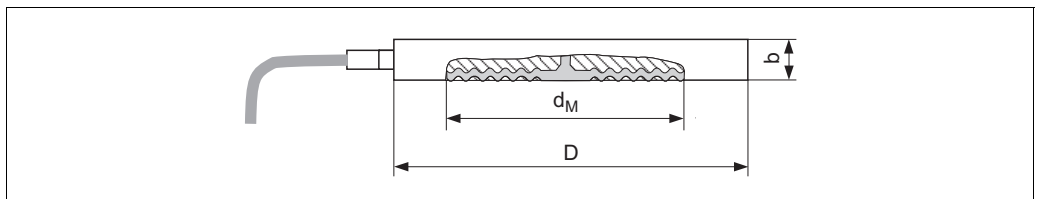
	<b>T14 housing</b>	<b>T17 housing</b>
Height h	190 mm (7.48 in)	204 mm (8.03 in)

**Process connections PMP75 (with diaphragm seal)**

Note!

- The weights of the diaphragm seals are given in the tables. See → 60 for the weight of the housing.
- The following drawings are drawings that illustrate how the system works in principle. In other words, the dimensions of a diaphragm seal supplied can deviate from the dimensions given in this document.
- With the use of high-temperature oils the design can deviate strongly.
- Observe the information in the "Planning instructions, diaphragm seal systems" section → 70 ff.
- For further information please contact your local Endress+Hauser Sales Center.

**Diaphragm seal cell structure**



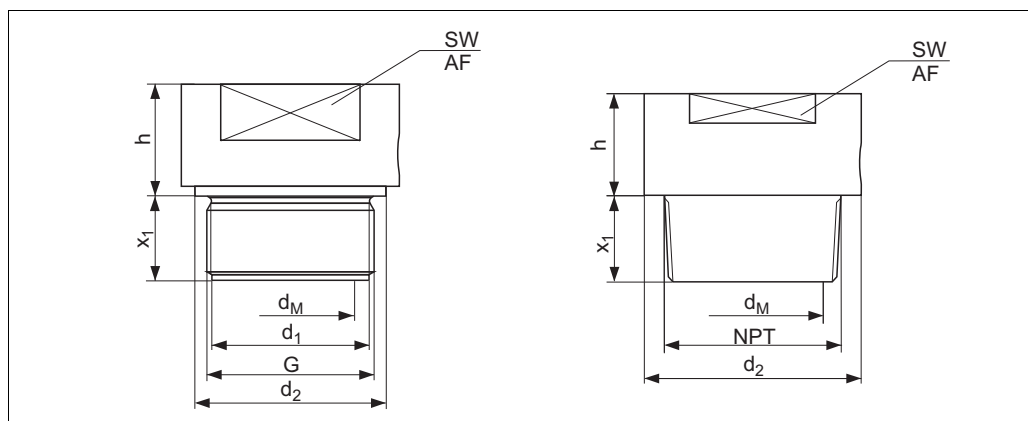
P01-FMD78xxx-06-09-xx-xx-000

*Process connection PMP75, material AISI 316L*

Version	Flange				Diaphragm seal	
	Nominal diameter	Nominal pressure <sup>1</sup>	Max. diameter D	Thickness b	Max. diameter of the process isolating diaphragm d <sub>M</sub>	Weight of two diaphragm seals
			[mm]	[mm]	[mm]	[kg]
UI	DN 50	PN 16-400	102	20	59	2.6
UJ	DN 80	PN 16-400	138	20	89	4.6
UK	DN 100	PN 16-400	162	20	89	6.2
	[in]	[lb/sq.in]	[in (mm)]	[in (mm)]	[in (mm)]	[kg]
UL	2	150-2500	4.01 (102)	0.79 (20)	2.32 (59)	2.6
UM	3	150-2500	5.35 (136)	0.79 (20)	3.50 (89)	4.6
UR	4	150-2500	6.22 (158)	0.79 (20)	3.50 (89)	6.2

1) The specified nominal pressure applies to the diaphragm seal. The maximum pressure for the measuring device is dependent on the lowest-rated element, with regard to pressure, of the selected components. See also → 31, "Pressure specifications" section.

**Thread, flush-mounted process isolating diaphragm**



P01-PMP75xxx-06-09-xx-xx-003

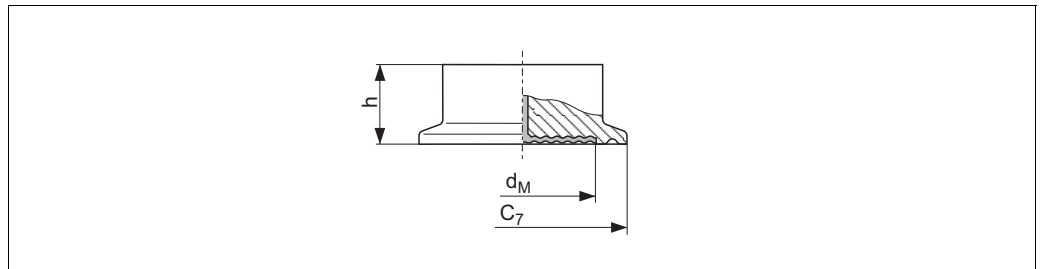
Process connections PMP75, left: thread ISO 228, right: thread ANSI

Threaded connections								Diaphragm seal		
Ver-sion	Material	Thread	Nomi-nal pres-sure	Dia-meter	Dia-meter	Screw-in length	Across flats	Max. dia-meter of the pro-cess iso-lating dia-phragm	Height	Dia-phragm seal weight
			PN	d <sub>1</sub> [mm]	d <sub>2</sub> [mm]	x <sub>1</sub> [mm]	SW/AF	d <sub>M</sub> [mm]	h [mm]	[kg]
1D	AISI 316L	G 1 A	400	30	39	21 <sup>1)</sup>	41	30	19	0.4
1E	Alloy C276									0.5
1G	AISI 316L	G 1 1/2 A	400	44	55	30	50	42	20	0.9
1H	Alloy C276									1.0
1K	AISI 316L	G 2	400	56	68	30	65	50	20	1.9
1L	Alloy C276									2.1
2A	AISI 316L	1 MNPT	400	–	48	28	41	24	37	0.6
2B	Alloy C276									0.7
2D	AISI 316L	1 1/2 MNPT	400	–	60	30	41	36	20	0.9
2E	Alloy C276									1.0
2G	AISI 316L	2 MNPT	400	–	78	30	65	38	35	1.8
2H	Alloy C276									2.0

1) 28 mm (1.1 in) in conjunction with high-temperature oil



**Tri-Clamp ISO 2852**



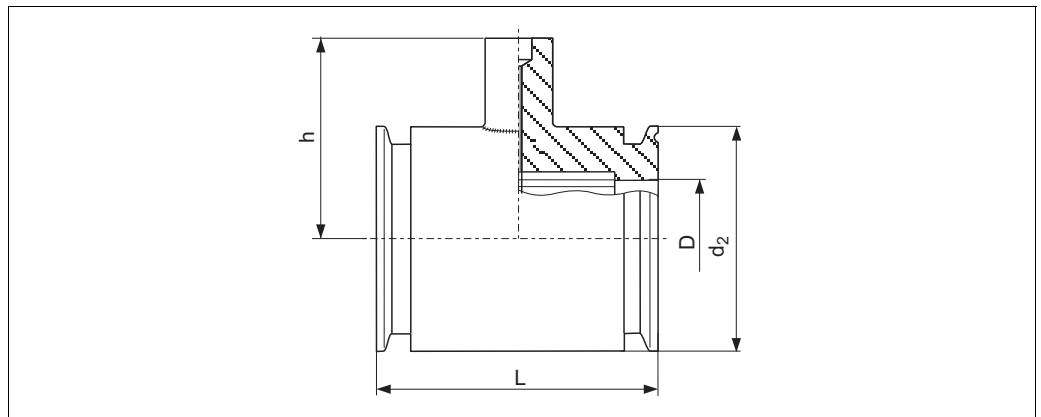
P01-FMD78xxx-06-09-xx-xx-005

Process connection PMP75, material: AISI 316L, surface roughness of the surfaces in contact with the medium  $R_a \leq 0.8 \mu\text{m}$  (31.5  $\mu\text{in}$ ) as standard.

Version	Nominal diameter ISO 2852	Nominal diameter DIN 32676	Nominal diameter [in]	Diameter $C_7$ [mm]	Max. diameter of the process isolating diaphragm $d_M$ [mm]	Height $h$ [mm]	Diaphragm seal weight [kg]
TB	DN 25	DN 25	1	50.5	24	37	0.32
TC <sup>1</sup>	DN 38	DN 40	1 1/2	50.5	34	30	1.0
TD <sup>1</sup>	DN 51	DN 50	2	64	48	30	1.1
TF	DN 76.1	–	3	91	73	30	1.2

1) Diaphragm seal versions optionally in conformity with ASME-BPE for use in biochemical processes, wetted surfaces  $R_a \leq 0.38 \mu\text{m}$ , electropolished; to be ordered using feature 110 "Additional option", version "P" in the order code.

**Tri-Clamp pipe diaphragm seal ISO 2852**



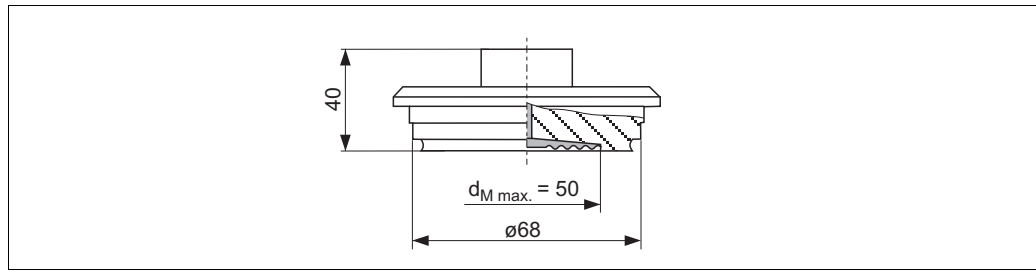
P01-FMD78xxx-06-09-xx-xx-001

Process connection PMP75, material AISI 316L, surface roughness of the surfaces in contact with the medium  $R_a \leq 0.8 \mu\text{m}$  (31.5  $\mu\text{in}$ ) as standard. Lower surface roughness on request.

Version	Nominal diameter ISO 2852	Nominal diameter	Diameter $D$ [in]	Diameter $d_2$ [mm]	Height $h$ [mm]	Face-to-face length $L$ [mm]	Diaphragm seal weight [kg]
SB	DN 25	1	22.5	50.5	67	126	1.7
SC <sup>1</sup>	DN 38	1 1/2	35.5	50.5	67	126	1.0
SD <sup>1</sup>	DN 51	2	48.6	64	79	100	1.7

1) Including 3.1 and pressure test as per Pressure Equipment Directive, category II

**Varivent N for pipes DN 40 – DN 162**



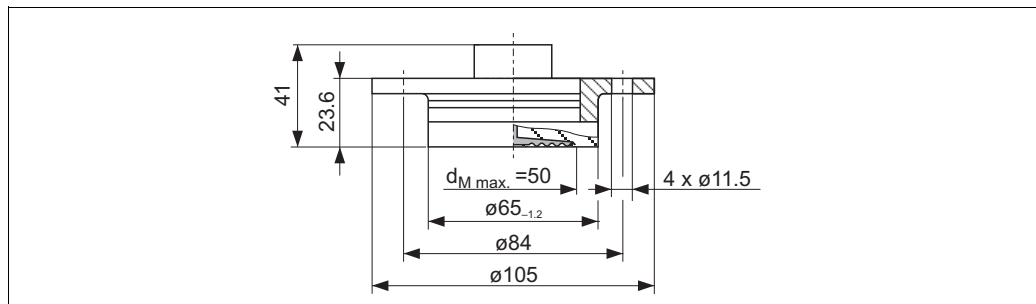
P01-FMD78xxx-06-09-xx-xx-000

Process connection PMP75, surface roughness of the surfaces in contact with the medium  $R_a \leq 0.8 \mu\text{m}$  ( $31.5 \mu\text{in}$ ) as standard.

Version	Material	Nominal pressure	Diaphragm seal weight [kg]
TR <sup>1</sup>	AISI 316L	PN 40	1.3

- 1) Diaphragm seal versions optionally in conformity with ASME-BPE for use in biochemical processes, wetted surfaces  $R_a \leq 0.38 \mu\text{m}$  ( $15 \mu\text{in}$ ), electropolished; to be ordered using feature 110 "Additional option", version "P" in the order code.

**DRD DN50 (65 mm)**

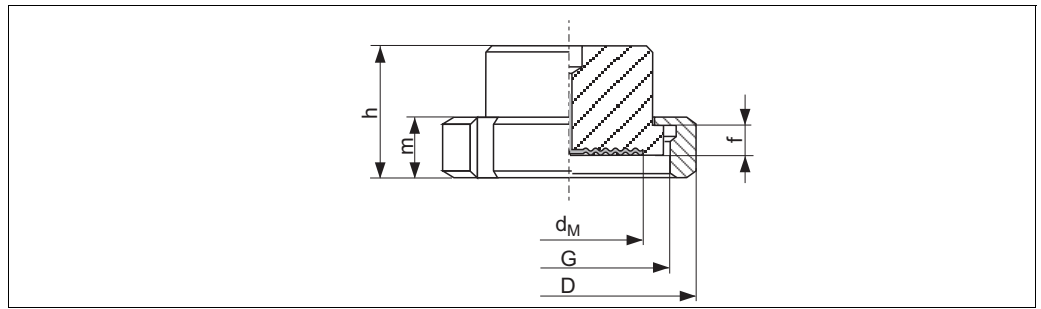


P01-FM78xxx-06-09-xx-xx-000

Process connection PMP75, surface roughness of the surfaces in contact with the medium  $R_a \leq 0.8 \mu\text{m}$  ( $31.5 \mu\text{in}$ ) as standard. Lower surface roughness on request.

Version	Material	Nominal pressure	Diaphragm seal weight [kg]
TK	AISI 316L	PN 25	0.75

**SMS nozzles with coupling nut**

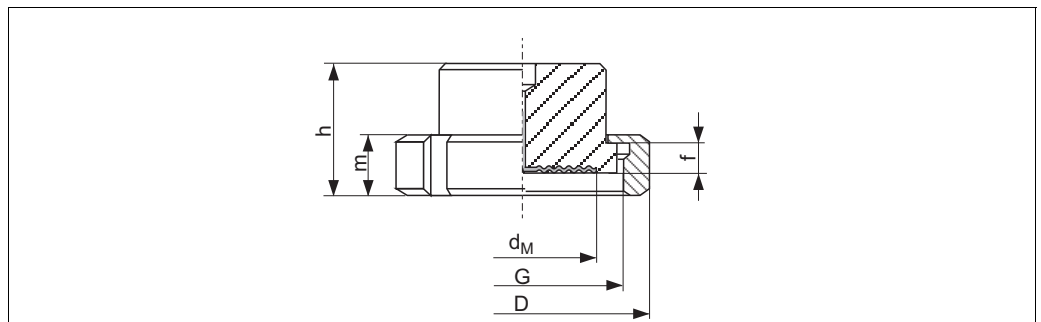


P01-PMP75xxx-06-09-xx-xx-009

Process connection PMP75, material AISI 316L, surface roughness of the surfaces in contact with the medium  $R_a \leq 0.8 \mu\text{m}$  (31.5  $\mu\text{in}$ ) as standard. Lower surface roughness on request.

Ver- sion	Nominal diameter	Nominal pressure	Dia- meter	Adapter height	Thread	Height	Height	Max. dia- meter of the process isolating diaphragm	Dia- phragm seal weight
	[inch]	[bar]	D [mm]	f [mm]	G	m [mm]	h [mm]	$d_M$ [mm]	[kg]
TG	1	PN 25	54	3.5	Rd 40 – 1/6	20	42.5	24	0.25
TH	1 1/2	PN 25	74	4	Rd 60 – 1/6	25	57	36	0.65
TI	2	PN 25	84	4	Rd 70 – 1/6	26	62	48	1.05

**APV-RJT nozzles with coupling nut**

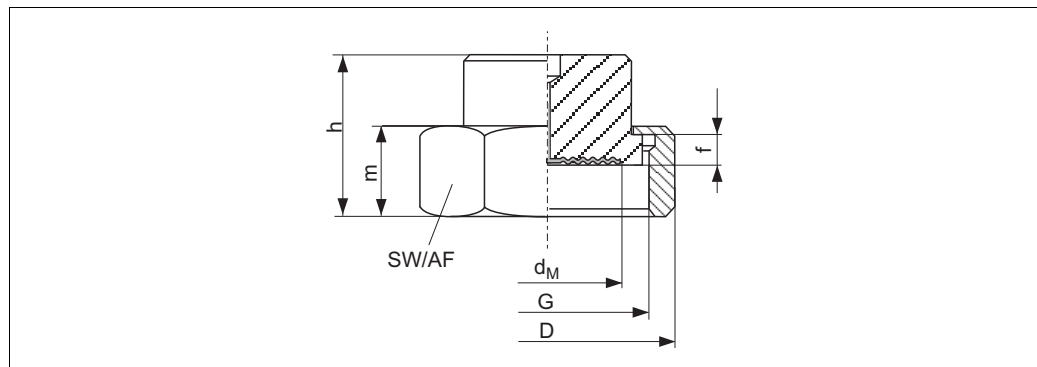


P01-PMP75xxx-06-09-xx-xx-010

Process connection PMP75, material AISI 316L, surface roughness of the surfaces in contact with the medium  $R_a \leq 0.8 \mu\text{m}$  (31.5  $\mu\text{in}$ ) as standard. Lower surface roughness on request.

Ver- sion	Nominal diameter	Nominal pressure	Dia- meter	Adapter height	Thread	Height	Height	Max. dia- meter of the pro- cess isolat- ing dia- phragm	Dia- phragm seal weight
	[inch]	PN [bar]	D [mm]	f [mm]	G	m [mm]	h [mm]	$d_M$ [mm]	[kg]
TL	1	PN 40	77	6.5	1 13/16 – 1/8"	22	42.6	21	0.45
TM	1 1/2	PN 40	72	6.4	2 5/16 – 1/8"	22	42.6	28	0.75
TN	2	PN 40	86	6.4	2 7/8 – 1/8"	22	42.6	38	1.2

APV-ISS nozzles with coupling nut

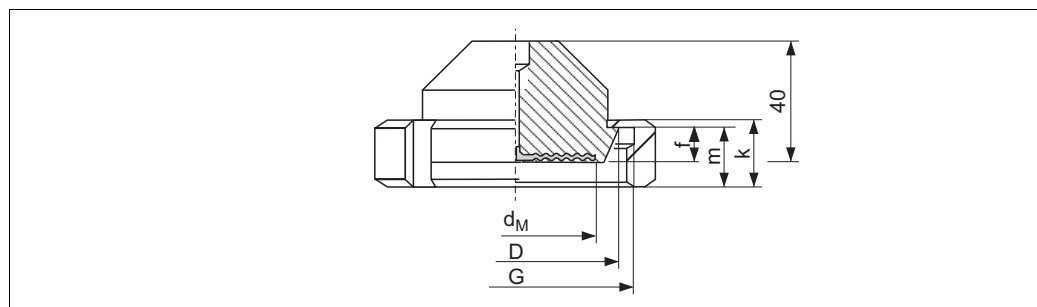


P01-PMP75xxx-06-09-xx-xx-011

Process connection PMP75, material AISI 316L, surface roughness of the surfaces in contact with the medium  $R_a \leq 0.8 \mu\text{m}$  (31.5  $\mu\text{in}$ ) as standard. Lower surface roughness on request.

Version	Nominal diameter	Nominal pressure	Diameter	Adapter height	Thread	Height	Across flats	Height	Max. diameter of the process isolating diaphragm	Diaphragm seal weight
	[inch]	[bar]	D [mm]	f [mm]	G	m [mm]	AF	h [mm]	$d_M$ [mm]	[kg]
TP	1	PN 40	54.1	4	1 1/2" - 1/8"	30	46.8	50	24	0.4
TQ	1 1/2	PN 40	72	4	2" - 1/8"	30	62	50	34	0.6
TS	2	PN 40	89	4	2 1/2" - 1/8"	30	77	50	45	1.1

Taper adapter with coupling nut, DIN 11851

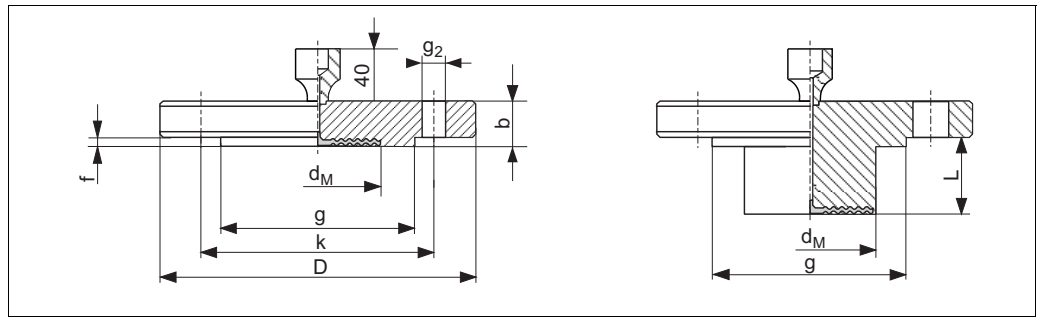


P01-FMD78xxx-06-09-xx-xx-007

Process connection PMP75, material AISI 316L, surface roughness of the surfaces in contact with the medium  $R_a \leq 0.8 \mu\text{m}$  (31.5  $\mu\text{in}$ ) as standard. Lower surface roughness on request.

Version	Taper adapter				Slotted nut			Diaphragm seal	
	Nominal diameter	Nominal pressure	Diameter	Adapter height	Thread	Height	Height	Max. diameter of the process isolating diaphragm	Diaphragm seal weight
			D [mm]	f [mm]	G	k [mm]	m [mm]	$d_M$ [mm]	[kg]
MR	DN 50	PN 25	68.5	11	Rd 78 x 1/6"	22	19	52	1.1
MS	DN 65	PN 25	86	12	Rd 95 x 1/6"	35	21	66	2.0
MT	DN 80	PN 25	100	12	Rd 110 x 1/4"	30	26	81	2.55

EN/DIN flanges, connection dimensions as per EN 1092-1/DIN 2527 and DIN 2501-1



P01-PMP75xxx-06-09-xx-xx-002

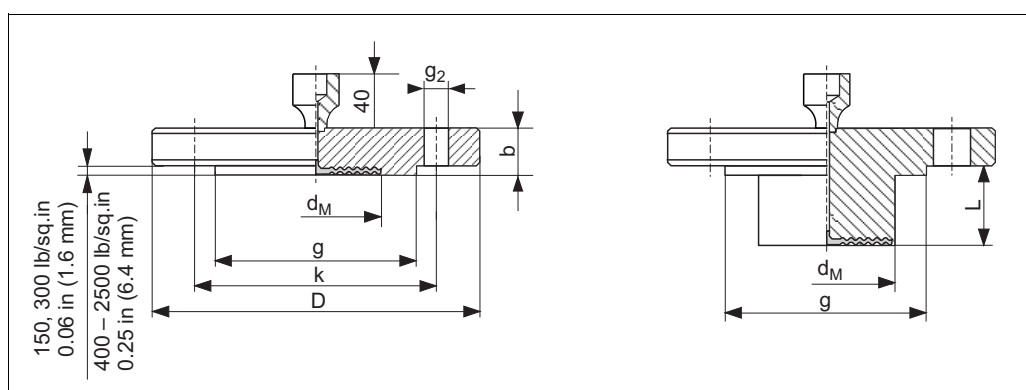
Process connection PMP75, EN/DIN flange with flush-mounted process isolating diaphragm, material AISI 316L

Version	Flange <sup>1</sup>						Boltholes			Diaphragm seal		
	Nominal diameter	Nominal pressure	Shape <sup>2</sup>	Dia- meter	Thick- ness	Raised face		Qu- an- tity	Dia- meter	Hole circle	Max. dia- meter of the process isolat- ing dia- phragm	Dia- phragm seal weight
				D [mm]	b [mm]	g [mm]	f [mm]					
CN	DN 25	PN 10-40	B1 (D)	115	18	68	3	4	14	85	32	2.1
DN	DN 25	PN 63-160	E	140	24	68	2	4	18	100	28	2.5
EN	DN 25	PN 250	E	150	28	68	2	4	22	105	28	3.7
E1	DN 25	PN 400	E	180	38	68	2	4	26	130	28	7.0
CP	DN 32	PN 10-40	B1 (D)	140	18	77	2.6	4	18	100	34	1.9
CQ	DN 40	PN 10-40	B1 (D)	150	18	87	2.6	4	18	110	48	2.2
B3	DN 50	PN 10-40	B1 (D)	165	20	102	3	4	18	125	59	3.0
C3	DN 50	PN 63	B2 (E)	180	26	102	3	4	22	135	59	4.6
EF	DN 50	PN 100-160	E	195	30	102	3	4	26	145	59	6.2
ER	DN 50	PN 250	E	200	38	102	3	8	26	150	59	7.7
E3	DN 50	PN 400	E	235	52	102	3	8	30	180	59	14.7
B4	DN 80	PN 10-40	B1 (D)	200	24	138	3.5	8	18	160	89	5.3
C4	DN 80	PN 100	B2 (E)	230	32	138	4	8	24	180	89	8.9
C5	DN 100	PN 100	B2 (E)	265	36	175	5	8	30	210	89	13.7
D3 <sup>3</sup>	DN 50	PN 10-40	B1 (D)	165	20	102	3	4	18	125	47	<sup>3</sup>
D4 <sup>3</sup>	DN 80	PN 10-40	B1 (D)	200	24	138	3.5	8	18	160	72	<sup>3</sup>

- 1) The roughness of the surface in contact with the medium, including the raised face of the flanges (all standards) made of Hastelloy C, Monel or tantalum, is Ra 0.8 µm (31.5 µin). Lower surface roughness on request.
- 2) Designation as per DIN 2527 in brackets
- 3) Available with 50 mm (1.97 in), 100 mm (3.94 in) and 200 mm (7.87 in) extended diaphragm seal, for extended diaphragm seal diameter and weight see the following table

Version	Nominal diameter	Nominal pressure	Extended diaphragm seal length [mm]	Extended diaphragm seal diameter d <sub>3</sub> [mm]	Diaphragm seal weight [kg]
D3	DN 50	PN 10-40	50 / 100 / 200	48.3	3.2 / 3.8 / 4.4
D4	DN 80	PN 10-40	50 / 100 / 200	76	6.2 / 6.7 / 7.8

ANSI flanges, connection dimensions as per ANSI B 16.5, raised face RF



P01-PMP75xxx-06-09-xx-xx-001

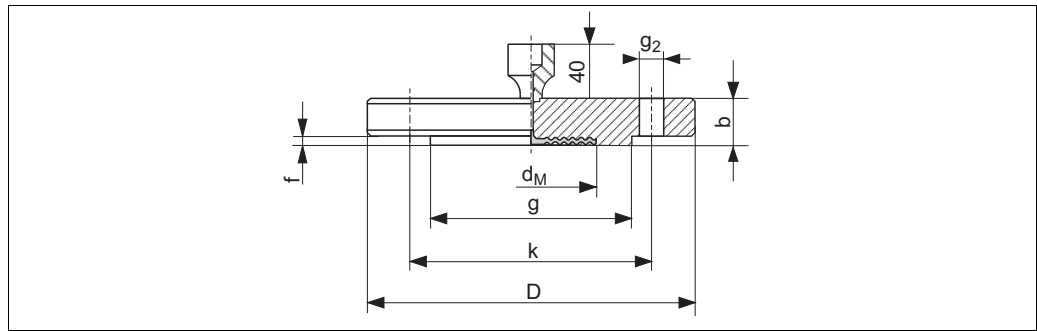
Process connection PMP75, ANSI flange with and without extended diaphragm seal

Ver- sion	Flange <sup>1</sup>						Boltholes			Diaphragm seal	
	Material <sup>2</sup>	Nominal diameter	Class	Diameter  D	Thickness  b	Raised face  g	Quantity	Diameter  g <sub>2</sub>	Hole circle  k	Max. diameter of the process isolating diaphragm  d <sub>M</sub>	Dia- phragm seal weight  [kg]
AC	AISI 316/316L	1	150	4.25 (108)	0.56 (14.2)	2 (50.8)	4	0.62 (15.7)	3.12 (79.2)	1.26 (32)	1.2
AN	AISI 316/316L	1	300	4.88 (124)	0.69 (17.5)	2.76 (70)	4	0.75 (19.1)	3.5 (88.9)	1.26 (32)	1.3
HC	AISI 316/316L	1	400/600	4.88 (124)	0.69 (17.5)	2 (50.8)	4	0.75 (19.1)	3.5 (88.9)	1.26 (32)	1.4
HN	AISI 316/316L	1	900/1500	5.88 (149.4)	1.12 (28.4)	2 (50.8)	4	1 (25.4)	4 (101.6)	1.26 (32)	3.2
HO	AISI 316/316L	1	2500	6.25 (158.8)	1.38 (35.1)	2 (50.8)	4	1 (25.4)	4.25 (108)	1.26 (32)	4.6
AE	AISI 316/316L	1 1/2	150	5 (127)	0.69 (17.5)	2.88 (73.2)	4	0.62 (15.7)	3.88 (96.6)	1.89 (48)	1.5
AQ	AISI 316/316L	1 1/2	300	6.12 (155.4)	0.81 (20.6)	2.88 (73.2)	4	0.88 (22.4)	4.5 (114.3)	1.89 (48)	2.6
AF	AISI 316/316L	2	150	6 (152.4)	0.75 (19.1)	3.62 (91.9)	4	0.75 (19.1)	4.75 (120.7)	2.32 (59)	2.2
J3 <sup>3</sup>	AISI 316/316L	2	150	6 (152.4)	0.75 (19.1)	3.62 (91.9)	4	0.75 (19.1)	4.75 (120.7)	1.85 (47)	<sup>3</sup>
AR	AISI 316/316L	2	300	6.5 (165.1)	0.88 (22.4)	3.62 (91.9)	8	0.75 (19.1)	5 (127)	2.32 (59)	3.4
HF	AISI 316/316L	2	400/600	6.5 (165.1)	1 (25.4)	3.62 (91.9)	8	0.75 (19.1)	5 (127)	2.32 (59)	4.3
HR	AISI 316/316L	2	900/1500	8.5 (215.9)	1.5 (38.1)	3.62 (91.9)	8	1 (25.4)	6.5 (165.1)	2.32 (59)	10.3
H3	AISI 316/316L	2	2500	9.25 (235)	2 (50.8)	3.62 (91.9)	8	1.12 (28.4)	6.75 (171.5)	2.32 (59)	15.8
AG	AISI 316/316L	3	150	7.5 (190.5)	0.94 (23.9)	5 (127)	4	0.75 (19.1)	6 (152.4)	3.50 (89)	5.1
AS	AISI 316/316L	3	300	8.25 (209.5)	1.12 (28.4)	5 (127)	8	0.75 (19.1)	6 (152.4)	3.50 (89)	7.0
J4 <sup>3</sup>	AISI 316/316L	3	150	7.5 (190.5)	0.94 (23.9)	5 (127)	4	0.75 (19.1)	6 (152.4)	2.83 (72)	<sup>3</sup>
J7 <sup>3</sup>	AISI 316/316L	3	300	8.25 (209.5)	1.12 (28.4)	5 (127)	8	0.88 (22.4)	6.62 (168.1)	2.83 (72)	<sup>3</sup>
AH	AISI 316/316L	4	150	9 (228.6)	0.94 (23.9)	6.19 (157.2)	8	0.75 (19.1)	7.5 (190.5)	3.50 (89)	7.2
AT	AISI 316/316L	4	300	10 (254)	1.25 (31.8)	6.19 (157.2)	8	0.88 (22.4)	7.88 (200.2)	3.50 (89)	11.7
J5 <sup>3</sup>	AISI 316/316L	4	150	9 (228.6)	0.94 (23.9)	6.19 (157.2)	8	0.75 (19.1)	7.5 (190.5)	3.50 (89)	<sup>3</sup>
J8 <sup>3</sup>	AISI 316/316L	4	300	10 (254)	1.25 (31.8)	6.19 (157.2)	8	0.88 (22.4)	7.88 (200.2)	3.50 (89)	<sup>3</sup>

- 1) The roughness of the surface in contact with the medium, including the raised face of the flanges (all standards) made of Alloy C, Monel or tantalum, is Ra 0.8 µm (31.5 µin). Lower surface roughness on request.
- 2) Combination of AISI 316 for required pressure resistance and AISI 316L for required chemical resistance (dual rated)
- 3) xxAvailable with 2", 4", 6" or 8" extended diaphragm seal, for extended diaphragm seal diameter and weight see the following table

Version	Nominal diameter	Class	Extended diaphragm seal length (L)	Extended diaphragm seal diameter d <sub>3</sub>	Diaphragm seal weight
	[in]		[lb./sq.in]	[in (mm)]	[in (mm)]
J3	2	150	2 (50.8)	1.9 (48.3)	3.0
			4 (101.6)		3.4
			6 (152.4)		3.9
			8 (203.2)		4.4
J4	3	150	2 (50.8)	2.99 (75.9)	6.0
			4 (101.6)		6.6
			6 (152.4)		7.1
			8 (203.2)		7.8
J7	3	300	2 (50.8)	2.99 (75.9)	7.9
			4 (101.6)		8.5
			6 (152.4)		9.0
			8 (203.2)		9.6
J5	4	150	2 (50.8)	3.7 (94)	8.6
			4 (101.6)		9.9
			6 (152.4)		11.2
			8 (203.2)		12.4
J8	4	300	2 (50.8)	3.7 (94)	13.1
			4 (101.6)		14.4
			6 (152.4)		15.7
			8 (203.2)		16.9

JIS flanges, connection dimensions as per JIS B 2220 BL, raised face RF



P01-PMP75xxx-06-09-xx-xx-000

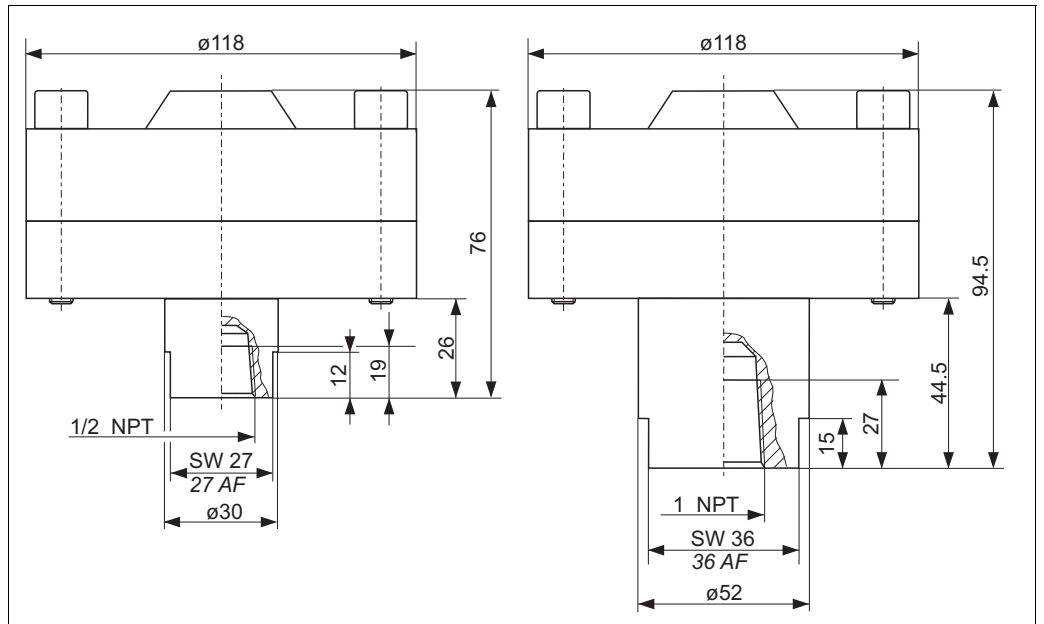
Process connection PMP75, JIS flange with raised face RF, material AISI 316L

Ver- sion	Flange <sup>1</sup>						Boltholes			Diaphragm seal	
	Nomi- nal dia- meter	Nomi- nal pres- sure	Dia- meter  D [mm]	Thick- ness  b [mm]	Dia- meter raised face  g [mm]	Raised face height  f [mm]	Quan- tity	Dia- meter  g <sub>2</sub> [mm]	Hole circle  k [mm]	Max. diameter of the process isolating dia- phragm  d <sub>M</sub> [mm]	Dia- phragm seal weight <sup>2</sup> [kg]
KC	25 A	10 K	125	14	67	1	4	19	90	32	1.5
KF	50 A	10 K	155	16	96	2	4	19	120	59	2.3
KL	80 A	10 K	185	18	127	2	8	19	150	89	3.3
KH	100 A	10 K	210	18	151	2	8	19	175	89	4.4

- 1) The roughness of the surface in contact with the medium, including the raised face of the flanges (all standards) made of Alloy C, Monel or tantalum, is Ra 0.8 μm (31.5 μin). Lower surface roughness on request.
- 2) Housing weight → 60



**Thread 1/2 NPT and 1 NPT, separator**

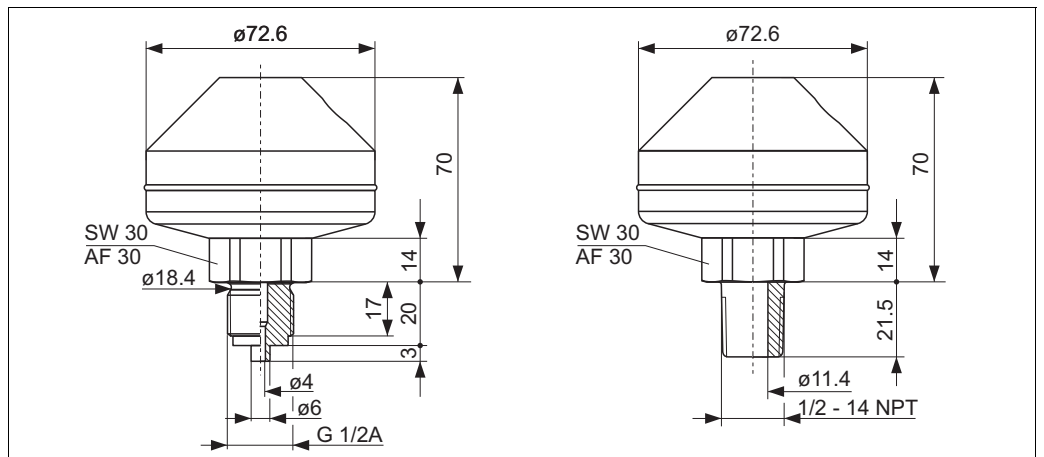


P01-PMP75xxx-06-09-xx-xx-008

Process connection PMP75, versions "UG" and "UH", threaded, material AISI 316L, seal Viton

Version	Description	Nominal pressure	Diaphragm seal weight [kg]
UG	1/2 NPT	PN 250	4.75
UH	1 NPT	PN 250	5.0

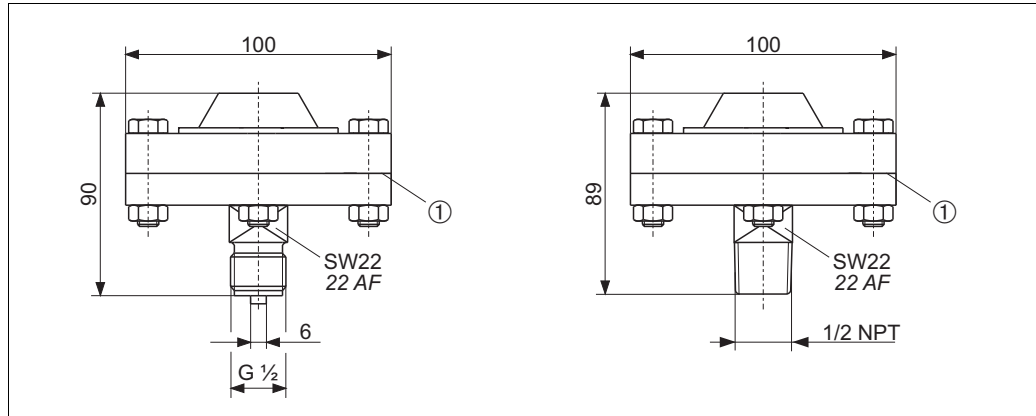
**Thread ISO 228 G 1/2 A and ANSI 1/2 MNPT, separator**



P01-PMP75xxx-06-09-xx-xx-004

Process connection PMP75, versions "UA" and "UB", welded, material AISI 316L

Version	Description	Nominal pressure	Diaphragm seal weight [kg]
UA	ISO 228 G 1/2 A	PN 160	1.43
UB	ANSI 1/2 MNPT	PN 160	1.43



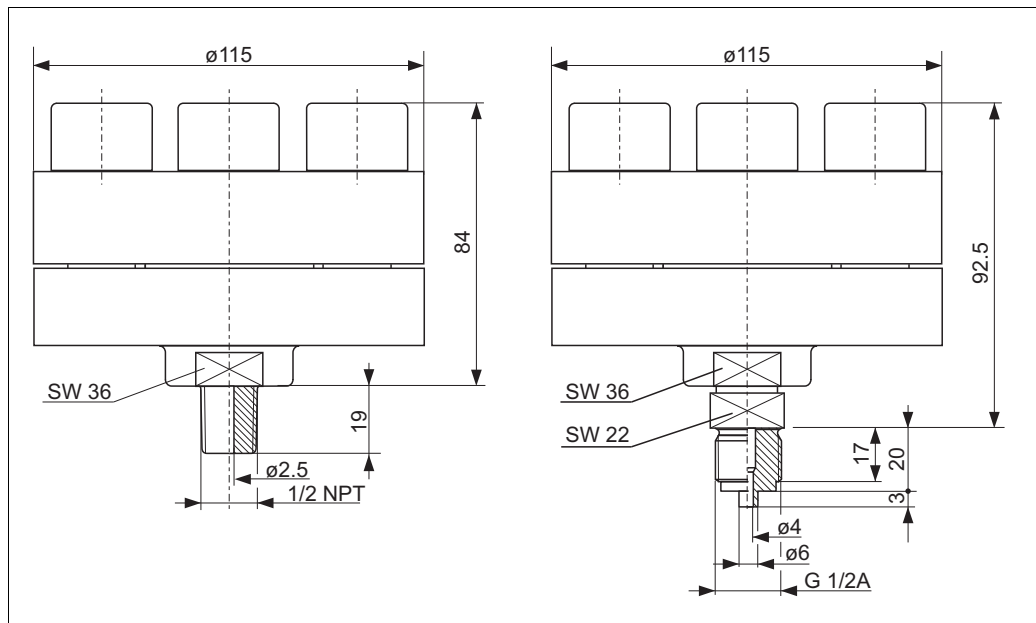
P01-PMP75xxx-06-09-xx-xx-013

Process connection PMP75, left: version "UC" with threaded connection ISO 228 G 1/2 B, right: version "UD" with threaded connection ANSI 1/2 MNPT

Materials: AISI 316L (1.44.04), screws made of 1.4571

1 PTFE seal as standard max. 260 °C (500 °F) (higher temperatures on request)

Version	Measuring range	Description	Nominal pressure	Diaphragm seal weight [kg]
UC	≤ 40 bar	ISO 228 G 1/2 B	PN 40	1.43
UD	≤ 40 bar	ANSI 1/2 MNPT	PN 40	1.43



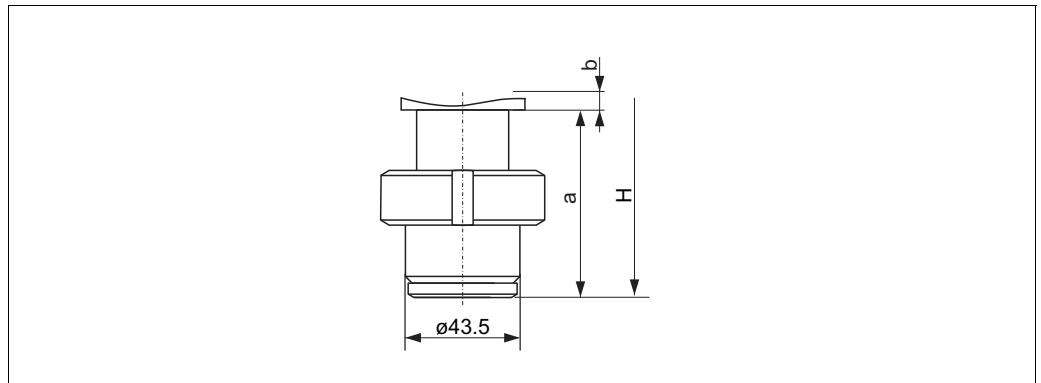
P01-PMP75xxx-06-09-xx-xx-007

Process connection PMP75, versions "UC" and "UD", threaded, with integrated sealing lip

Materials: AISI 316L (1.44.04), screws made of 1.4571

Version	Measuring range	Description	Nominal pressure	Diaphragm seal weight [kg]
UC	> 40 bar	ISO 228 G 1/2 A	PN 400	4.75
UD	> 40 bar	ANSI 1/2 MNPT	PN 400	4.75

**Universal process adapter**



P01-PMP75xxx-06-09-xx-xx-014

Process connection PMP75, material:  $b$  = top section AISI 316L (1.4404),  $a$  = bottom section AISI 316L (1.4435); Surface roughness of the surfaces in contact with the medium  $R_a \leq 0.8 \mu\text{m}$  (31.5  $\mu\text{in}$ ) as standard. Lower surface roughness on request.

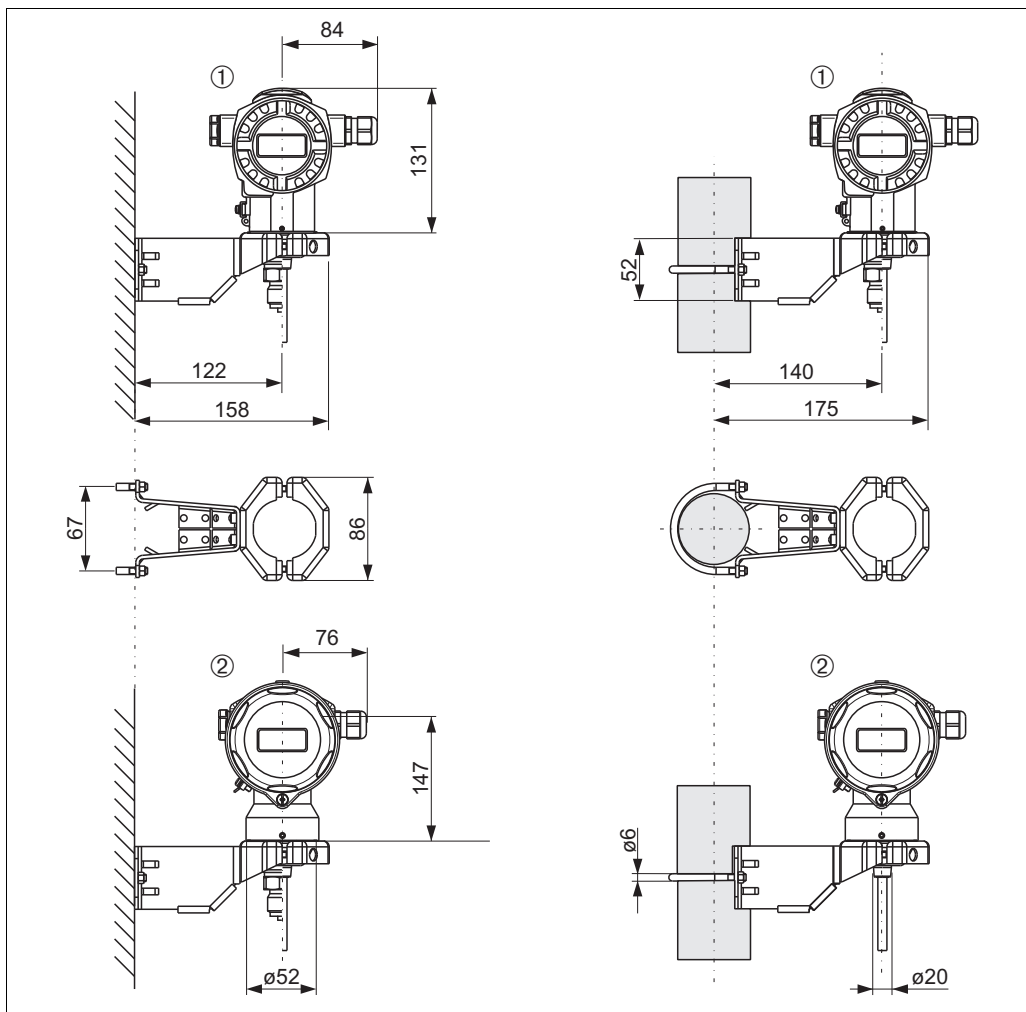
Version 00<sup>1)</sup>: universal process adapter incl. silicone molded seal FDA 21CFR177.2600/USP Class VI-70C, EHEDG, 3A

**Installation height H for devices with universal process adapter**

Description	Device height H, universal process adapter
T14 housing, optional display on the side	197 mm (7.76 in)
T15 housing without display, flat cover	203 mm (7.99 in)
T15 housing with display, high cover	215.5 mm (8.48 in)
T17 housing, optional display on the side	213 mm (8.39 in)

1) Endress+Hauser supplies these slotted nuts in stainless steel AISI 304 (DIN/EN material number 1.4301) or in AISI 304L (DIN/EN material number 1.4307).

Wall and pipe mounting with mounting bracket



① Dimensions of T14 housing, optional display on the side. For the weight, see the following section.

② Dimensions of T17 housing, optional display on the side. For the weight, see the following section.

Weight Housing

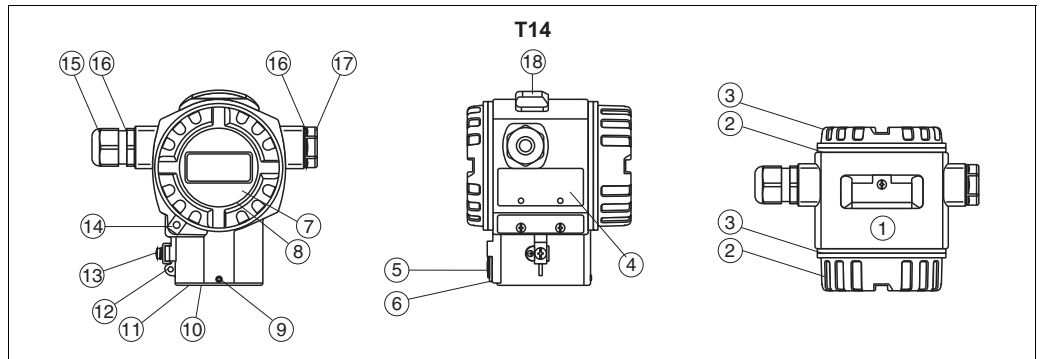
	T14		T17	Separate housing
	Aluminum	AISI 316L	AISI 316L	
With electronic insert and display	1.2 kg (2.65 lbs)	2.1 kg (4.63 lbs)	1.2 kg (2.65 lbs)	Weight of housing + 0.5 kg (1.10 lbs). Weight of sensor + 0.5 kg (1.10 lbs).
With electronic insert without display	1.1 kg (2.43 lbs)	2.0 kg (4.41 lbs)	1.1 kg (2.43 lbs)	

Process connections

- Process connections PMC71 (with ceramic process isolating diaphragm): → 33 ff
- Process connections PMP71 (with metal process isolating diaphragm): → 40 ff
- Process connections PMP75 (with diaphragm seal): → 47 ff

Material (not wetted)

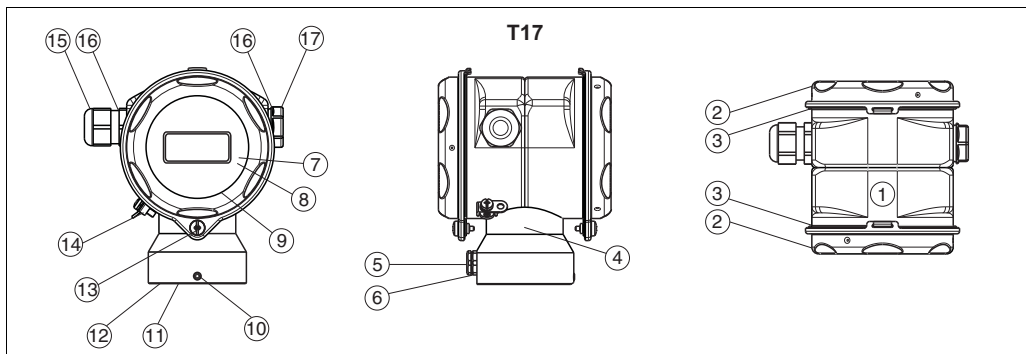
Housing



P01-xMxx3xxx-14-xx-xx-xx-000

Front view, left-hand side view, top view

Item number	Component part	Material
1	T14 and T15 housing, RAL 5012 (blue)	Die-cast aluminum with protective powder-coating on polyester base
	T14 housing	Precision cast AISI 316L (1.4435)
2	Cover, RAL 7035 (gray)	Die-cast aluminum with protective powder-coating on polyester base
	Cover	Precision cast AISI 316L (1.4435)
3	Cover seal	EPDM
4	Nameplates	AISI 304 (1.4301)
5	Pressure compensation filter	PA6 GF10
6	Pressure compensation filter, O-ring	Silicone (VMQ)
7	Sight glass	Mineral glass
8	Sight glass seal	Silicone (VMQ)
9	Screw	A4
10	Sealing ring	EPDM
11	Snap ring	PA66-GF25
12	Snap ring for nameplates	AISI 304 (1.4301)/ AISI 316 (1.4401)
13	External ground terminal	AISI 304 (1.4301)
14	Cover clamp	Clamp AISI 316L (1.4435, screw A4)
15	Cable gland	Polyamide (PA)
16	Seal of cable gland and blind plug	Silicone (VMQ)
17	Blind plug	PBT-GF30 FR, for dust ignition-proof: AISI 316L (1.4435)
18	External operation (keys and key cover), RAL 7035 (gray)	Polycarbonate PC-FR, screw A4

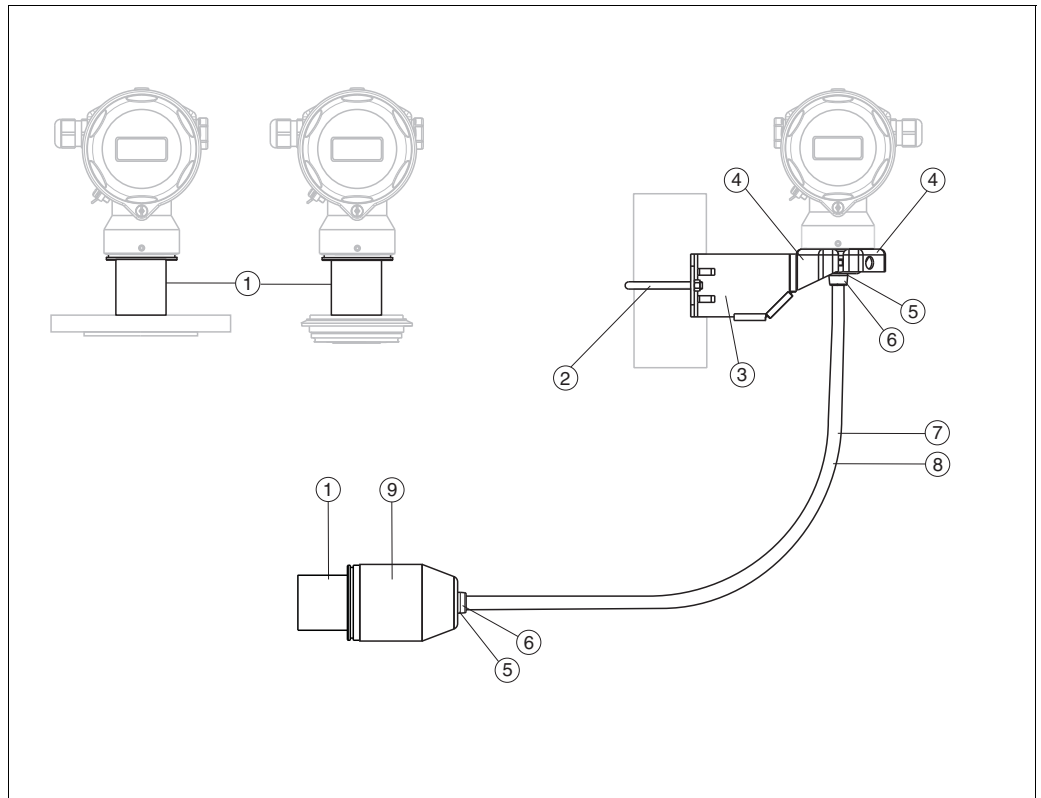


P01-xlMxx3xxx-14-xx-xx-xx-002

Front view, left-hand side view, top view

Item number	Component part	Material
1	T17 housing	AISI 316L (1.4404)
2	Cover	AISI 316L (1.4404)
3	Cover seal	EPDM
4	Nameplates	Lasered
5	Pressure compensation filter	PA6 GF10
6	Pressure compensation filter, O-ring	Silicone (VMQ)
7	Sight glass for non-hazardous area, ATEX Ex ia, NEPSI Zone 0/1 Ex ia, IECEx Zone 0/1 Ex ia, FM NI, FM IS, CSA IS	Polycarbonate (PC)
8	Sight glass for ATEX 1/2 D, ATEX 1/3 D, ATEX 1 GD, ATEX 1/2 GD, ATEX 3 G, FM DIP, CSA dust ignition-proof	Mineral glass
9	Sight glass seal	EPDM
10	Screw	A2-70
11	Sealing ring	EPDM
12	Snap ring	PA6
13	Screw	A4-50
14	External ground terminal	AISI 304 (1.4301)
15	Cable gland	Polyamide PA, for dust ignition-proof: CuZn nickel-plated
16	Seal of cable gland and blind plug	Silicone (VMQ)
17	Blind plug	PBT-GF30 FR, for dust ignition-proof: AISI 316L (1.4435)

**Connecting parts**



P01-xMxx3xxx-14-xx-xx-xx-003

Front view, left-hand side view, top view

Item number	Component part	Material
1	Connection between the housing and process connection	AISI 316L (1.4404)
2	Mounting bracket	Bracket AISI 304 (1.4301), AISI 304L (1.4306)
3		Screw and nuts A2-70
4		Half-shells: AISI 304L (1.4306)
5	Seal for cable from separate housing	EPDM
6	Gland for cable from separate housing	AISI 316L (1.4404)
7	PE cable for separate housing	Abrasion-proof cable with strain-relief Dynema members; shielded using aluminum-coated film; insulated with polyethylene (PE-LD), black; copper wires, twisted, UV-resistant
8	FEP cable for separate housing	Abrasion-proof cable; shielded using galvanized steel wire netting; insulated with fluorinated ethylene propylene (FEP), black; copper wires, twisted, UV-resistant
9	Process connection adapter for separate housing	AISI 316L (1.4404)

**Filling oil**

See "Ordering information" (→ 76)

**Miscellaneous:**

- Diaphragm seal capillary: AISI 316 Ti (1.4571)
- Protective hose for diaphragm seal capillary: AISI 304 (1.4301)

**Material (wetted)**

Note!

Process-wetted device components are listed in the "Mechanical construction" (→ 32) and "Ordering information" (→ 76) sections.

**TSE Certificate of Suitability**

The following applies to all process wetted device components:

- They do not contain any materials derived from animals.
- No additives or operating materials derived from animals are used in production or processing.

**Process connections**

- "Clamp connections" and "Hygienic connections" (see also "Ordering information" section):  
AISI 316L (DIN/EN material number 1.4435)
- Endress+Hauser supplies process connections with threaded connections and DIN/ EN flanges made of stainless steel as per AISI 316L (DIN/EN material number 1.4404 (AISI 316) or 1.4435). With regard to their stability-temperature property, the materials 1.4404 and 1.4435 are grouped together under 13E0 in EN 1092-1 Tab.18. The chemical composition of the two materials can be identical.
- Some process connections are also available in the material Alloy C276 (DIN/EN material number 2.4819). See the information in the "Mechanical construction" section.

**Process isolating diaphragm**

- PMC71: Al<sub>2</sub>O<sub>3</sub> aluminum oxide ceramic (FDA 21CFR186.1256, USP Class VI), ultrapure 99.9 % (→ see also [www.endress.com/ceraphire](http://www.endress.com/ceraphire))
- PMP71:
  - AISI 316L (DIN/EN material number 1.4435)
  - AISI 316L with gold-rhodium coating
  - Alloy C276 (DIN/EN material number 2.4819)
- PMP75:
  - AISI 316L (DIN/EN material number 1.4435)
  - AISI 316L with gold-rhodium coating
  - AISI 316L with 0.09 mm PTFE foil (not for vacuum applications)
  - AISI 316L with 0.25 mm PTFE foil (not for vacuum applications, only for non-hazardous areas)
  - Alloy C276 (DIN/EN material number 2.4819)
  - Monel
  - Tantalum

**Seals**

See ordering information, → 76 ff



# Human interface

## Operating elements

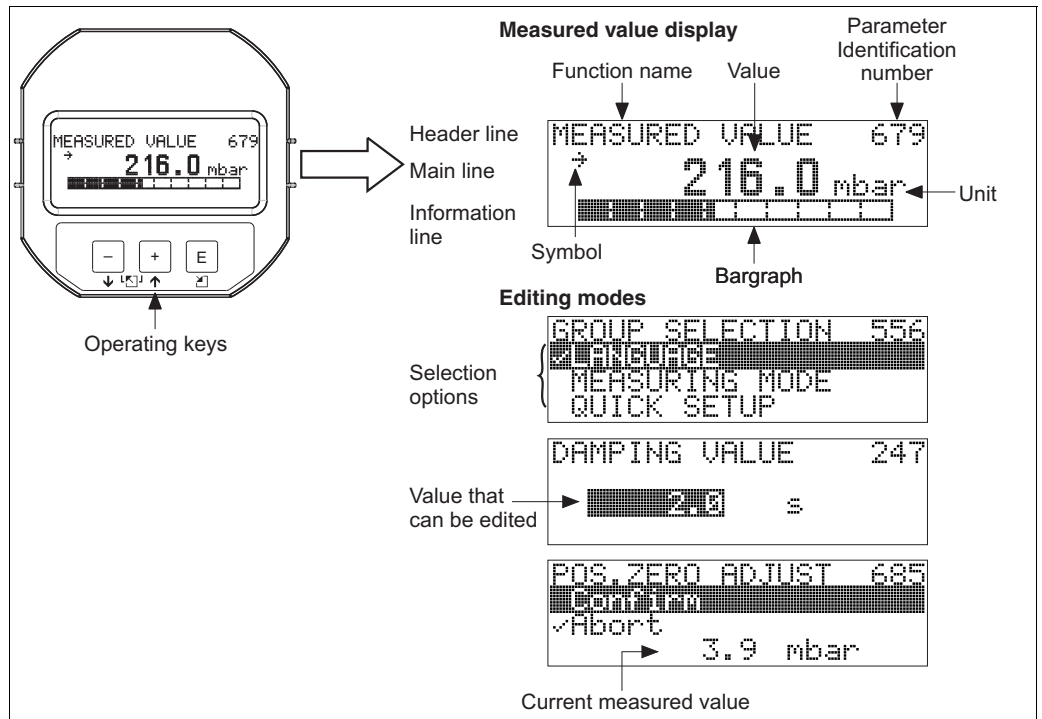
### Onsite display (optional)

A 4-line liquid crystal display (LCD) is used for display and operation. The onsite display shows measured values, dialog text as well as fault and notice messages in plain text, thereby supporting the user in every stage of operation. The display of the device can be turned in 90° steps.

Depending on the installation position of the device, this makes it easy to operate the device and read the measured value.

Functions:

- 8-digit measured value display including sign and decimal point, bar graph for 4 to 20 mA HART as current display; or for PROFIBUS PA as graphic display of the standardized value of the AI Block; for FOUNDATION Fieldbus as graphic display of the transducer output.
- Simple and complete menu guidance thanks to separation of the parameters into several levels and groups.
- Each parameter is given a 3-digit ID number for easy navigation.
- Option for configuring the display according to individual requirements and preferences, such as language, alternating display, display of other measured values such as sensor temperature, contrast setting.
- Comprehensive diagnostic functions (fault and warning message, peak-hold indicators, etc.).
- Rapid and safe commissioning with the Quick Setup menus.

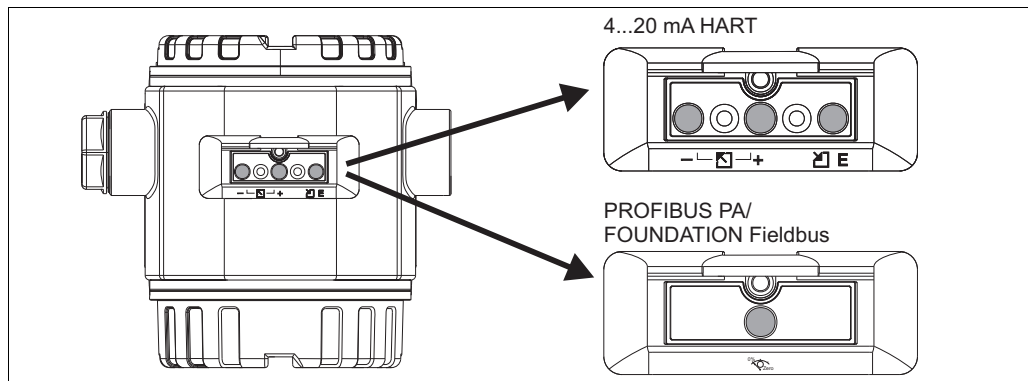


P01-xxxxxxx-07-xx-xx-en-011

Operating elements

Operating keys on the exterior of the device

With the T14 housing (aluminum or stainless steel), the operating keys are located either outside of the housing, under the protection cap or inside on the electronic insert. With the T17 housing (stainless steel), the operating keys are located inside the housing on the electronic insert.

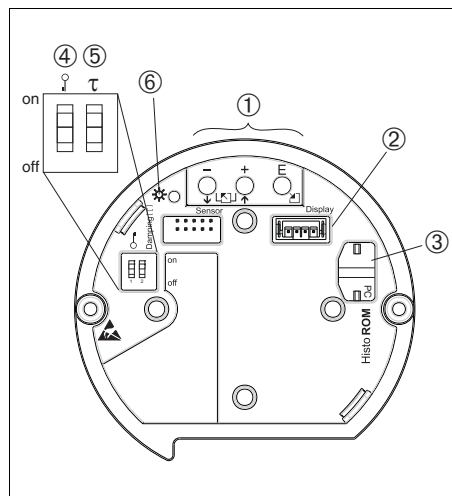


P01-PMx7xxx-19-xx-xx-xx-038

The operating keys located externally on the device work on the Hall sensor principle. As a result, no additional openings are required in the device. This guarantees:

- Complete protection against environmental influences such as moisture and contamination.
- Simple operation without any tools.
- No wear.

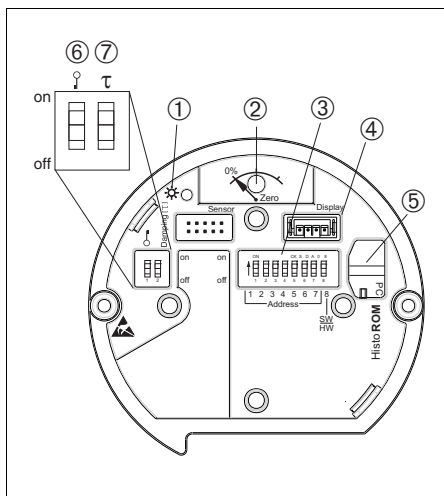
Operating keys and elements located internally on the electronic insert



P01-xxxxxxx-19-xx-xx-xx-104

Electronic insert HART

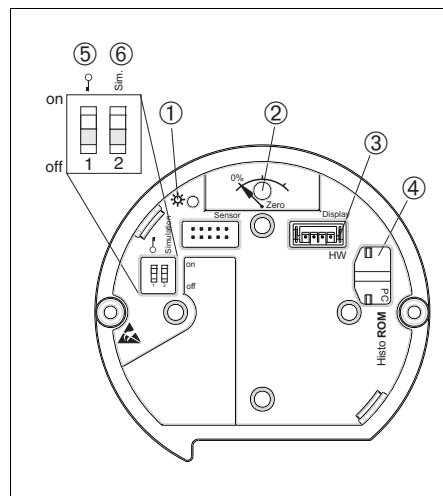
- 1 Operating keys
- 2 Slot for optional display
- 3 Slot for optional HistoROM®/M-DAT
- 4 DIP-switch for locking/unlocking parameters relevant to the measured values
- 5 DIP-switch for damping on/off
- 6 Green LED to indicate value being accepted



P01-xxxxxxx-19-xx-xx-xx-105

Electronic insert PROFIBUS PA

- 1 Green LED to indicate value being accepted
- 2 Key for position adjustment and device reset
- 3 DIP-switch for bus address
- 4 Slot for optional display
- 5 Slot for optional HistoROM®/M-DAT
- 6 DIP-switch for locking/unlocking parameters relevant to the measured values
- 7 DIP-switch for damping on/off



P01-xxxxxxx-19-xx-xx-xx-106

Electronic insert FOUNDATION Fieldbus

- 1 Green LED to indicate value being accepted
- 2 Key for position adjustment and device reset
- 3 Slot for optional display
- 4 Slot for optional HistoROM®/M-DAT
- 5 DIP-switch for locking/unlocking parameters relevant to the measured values
- 6 DIP-switch for simulation mode on/off

**Local operation**

Function	External operation (operating keys, optional, not T17 housing)	Internal operation (electronic insert)	Display (optional)
Position adjustment (zero point correction)	X	X	X
Setting lower-range value and upper-range value - reference pressure present at the device	X (HART only)	X (HART only)	X
Device reset	X	X	X
Locking and unlocking parameters relevant to the measured value	---	X	X
Value acceptance indicated by green LED	X	X	X
Switching damping on and off	---	X (HART and PA only)	X
Setting bus address (PA)	---	X	X
Switching simulation mode on and off (FOUNDATION Fieldbus)	---	X	X

**Remote operation**

Depending on the position of the write protection switch on the device, all software parameters are accessible.

**HART**

Remote operation via:

- Handheld terminal Field Communicator 375 (see "Hardware and software for onsite and remote operation" section → 68)
- FieldCare (see "Hardware and software for onsite and remote operation" section → 68 ff) with Commubox FXA195 (see "Hardware and software for onsite and remote operation" section → 68 ff)
- Field Xpert:

Field Xpert is an industrial PDA with integrated 3.5" touchscreen from Endress+Hauser based on Windows Mobile. It communicates via wireless with the optional VIATOR Bluetooth modem connected to a HART device point-to-point or wireless via WiFi and Endress+Hauser's Fieldgate FXA520. Field Xpert also works as a stand-alone device for asset management applications. For details, refer to BA060S/04/EN.

**PROFIBUS PA**

Remote operation via:

- FieldCare (see "Hardware and software for onsite and remote operation" section → 68 ff)
  - Profiboard: For connecting a PC to PROFIBUS
  - Proficard: For connecting a laptop to PROFIBUS

**FOUNDATION Fieldbus**

Remote operation via:

- Handheld terminal Field Communicator 375 (see "Hardware and software for onsite and remote operation" section → 68 ff)
- Use an FF-configuration program for example NI-FBUS Configurator, to
  - connect devices with "FOUNDATION Fieldbus signal" into an FF-network
  - set FF-specific parameters

Operation with NI-FBUS Configurator:

The NI-FBUS Configurator is an easy-to-use graphical environment for creating linkages, loops, and a schedule based on the fieldbus concepts.

You can use the NI-FBUS Configurator to configure a fieldbus network as follows:

- Set block and device tags
- Set device addresses
- Create and edit function block control strategies (function block applications)
- Configure vendor-defined function and transducer blocks
- Create and edit schedules
- Read and write to function block control strategies (function block applications)
- Invoke Device Description (DD) methods

- Display DD menus
- Download a configuration
- Verify a configuration and compare it to a saved configuration
- Monitor a downloaded configuration
- Replace a virtual device by a real device
- Save and print a configuration



Note!

For further information please contact your local Endress+Hauser Sales Center.

## Hardware and software for onsite and remote operation

### Commubox FXA195

For intrinsically safe HART communication with FieldCare via the USB interface. For details refer to TI404F/00/EN.

### Commubox FXA291

The Commubox FXA291 connects Endress+Hauser field devices with a CDI interface (=Endress+Hauser Common Data Interface) to the USB interface of a personal computer or a notebook. For details refer to TI405C/07/EN.

Note!

For the following Endress+Hauser devices you need the "ToF adapter FXA291" as an additional accessory:

- Cerabar S PMC71, PMP7x
- Deltabar S PMD7x, FMD7x
- Deltapilot S FMB70

### ToF adapter FXA291

The ToF adapter FXA291 connects the Commubox FXA291 with devices of the ToF platform, pressure equipment and the Gammapilot via the USB port of a computer or laptop. For details refer to KA271F.

### Field Communicator 375

With a handheld terminal, all the parameters can be configured anywhere along the bus line via menu operation.

### HistoROM®/M-DAT (optional)

HistoROM®/M-DAT is a memory module which can be attached to every electronic insert. The HistoROM®/M-DAT can be retrofitted at any stage (order number: 52027785).

#### *Your benefits*

- Quick and safe commissioning of the same measuring points by copying the configuration data of one transmitter to another transmitter.
- Reliable process monitoring thanks to cyclical recording of pressure and sensor temperature measured values.
- Simple diagnosis by recording diverse events such as alarms, configuration changes, counters for measuring range undershoot and overshoot for pressure and temperature as well as user limit overshoot and undershoot for pressure and temperature etc.
- Analysis and graphic evaluation of the events and process parameters via software (contained in scope of supply).

HistoROM®/M-DAT can be ordered via feature 100 "Additional option 1" or feature 110 "Additional option 2" or as a spare part. → 76 ff. A CD with an Endress+Hauser operating program is also included in the scope of delivery.

You can copy data from one transmitter to another transmitter when operating a FOUNDATION Fieldbus device via an FF configuration program. You need the Endress+Hauser FieldCare operating program and the Commubox FXA291 service interface and the ToF adapter FXA291 to be able to access the data and events saved in the HistoROM®/M-DAT.

FieldCare and the service interface Commubox FXA291 and the ToF adapter FXA291.

### FieldCare

FieldCare is an Endress+Hauser asset management tool based on FDT technology. With FieldCare, you can configure all Endress+Hauser devices as well as devices from other manufacturers that support the FDT standard.

FieldCare supports the following functions:

- Configuration of transmitters in offline and online mode
- Loading and saving device data (upload/download)
- HistoROM®/M-DAT analysis
- Documentation of the measuring point

Connection options:

- HART via Commubox FXA195 and the USB port on a computer
- PROFIBUS PA via segment coupler and PROFIBUS interface card
- Service interface with Commubox FXA291 and ToF adapter FXA291 (USB).

For further information → [www.endress.com](http://www.endress.com)

## Planning instructions, diaphragm seal systems

Note!

The performance and the permitted range of application of a diaphragm seal system depend on the process isolating diaphragm used, the filling oil, the coupling, the unit design and on the process and ambient conditions present in the individual application.

To help you select the right diaphragm seal system for your applications, Endress+Hauser provides its customers with the free "Applicator Sizing Diaphragm Seal" tool, which is available on CD or online at "www.endress.com/applicator".

The screenshot shows the 'Applicator Sizing Diaphragm Seal' tool interface. The product selected is 'Cerabar S PMP75'. The interface is divided into several sections:

- General parameters:** Product: Cerabar S PMP75.
- Transmitter data:** Sensor: 1bar/100Pa/1 Spsi gauge; Adjusted span: 1 000 mbar; Membrane material: 316L; Process connection classes: All; Diaphragm seal: DN50 PN10-40 B1, 316L; Transmitter mounting: direct; Fill fluid: Silicone oil.
- Measurement accuracy and offset:** % span /10K: 0.073; mbar/10K: 0.728; Error due to change in ambient temperature: 0.05; Error due to change in process temperature: 0.498; Maximum offset at nominal conditions: 0.
- Process and ambient conditions:** Process temperature: minimum -10, nominal 25, maximum 100, unit °C; Ambient temperature: minimum -10, nominal 25, maximum 60, unit °C; Static pressure (abs): minimum 900, nominal 1 013, maximum 1 100, unit mbar.
- Performance data:** Response time Tau (T63): minimum 0.2, nominal 0.2, maximum 0.2, unit s; Diaphragm deflection: minimum -21, nominal 0, maximum 14, unit %.

Buttons at the bottom include 'Configurator', 'Print Sizing', '--> Selection', 'Save', 'Save to buffer', and 'Reset'. A 'TAG' field is also present.

Applicator Sizing Diaphragm Seal\_PMP75-en

For more detailed information or the layout of the optimum diaphragm seal solution for your application, please contact your local Endress+Hauser Sales Center.

### Applications

Diaphragm seal systems should be used if the process and the device should be separated. Diaphragm seal systems offer clear advantages in the following instances:

- In the case of extreme process temperatures
- For aggressive media
- In the case of process media that crystallize
- In the case of corrosive or highly various process media or process media with solids content
- In the case of heterogeneous and fibrous process media
- If extreme measuring point cleaning is necessary, or for very humid mounting locations
- If the measuring point is exposed to severe vibrations
- For mounting locations that are difficult to access

### Design and operation mode

Diaphragm seals are separating equipment between the measuring system and the process.

A diaphragm seal system consists of:

- A diaphragm seal
- A capillary tube or temperature isolator if necessary
- Fill fluid
- A pressure transmitter

The process pressure acts via the process isolating diaphragm of a diaphragm seal on the liquid-filled system, which transfers the process pressure onto the sensor of the pressure transmitter.

Endress+Hauser delivers all diaphragm seal systems as welded versions. The system is hermetically sealed, which ensures the highest reliability.

The diaphragm seal determines the application range of the system by:

- The process isolating diaphragm diameter
- The process isolating diaphragm stiffness and material
- The design (oil volume)

**Diameter of the process isolating diaphragm**

The greater the diameter of the process isolating diaphragm (less stiff), the smaller the temperature effect on the measurement result.

**Process isolating diaphragm stiffness**

The stiffness depends on the diameter of the process isolating diaphragm, the material, any existing coating and the thickness and shape of the process isolating diaphragm. The process isolating diaphragm thickness and the shape are determined by the design. The stiffness of a process isolating diaphragm of a diaphragm seal influences the temperature operating range and the measuring error caused by temperature effects.

**Capillary**

Capillaries with an internal diameter of 1 mm (0.04 in) are used as standard.

The capillary tube influences the thermal change, the ambient temperature operating range and the response time of a diaphragm seal system as a result of its length and internal diameter.

**Filling oil**

When selecting the filling oil, the medium and ambient temperature as well as the operating pressure are of crucial importance. Observe the temperatures and pressures during commissioning and cleaning. A further selection criterion is the compatibility of the filling oil with the requirements of the process medium. For this reason, only filling oils that are harmless to health are used in the food industry, such as vegetable oil or silicone oil.

→ See also the following section "Diaphragm seal filling oils".

The filling oil used influences the thermal change, the temperature operating range of a diaphragm seal system and the response time. A temperature change results in a volume change of the filling oil. The volume change is dependent on the expansion coefficient and the volume of the filling oil at calibration temperature (constant in the range: +21 to +33 °C (+70 to 91 °F)).

For example, the filling oil expands in the event of a temperature increase. The additional volume presses against the process isolating diaphragm of a diaphragm seal. The stiffer a diaphragm is, the greater its return force, which counteracts a volume change and acts on the measuring cell together with the operating pressure, thus shifting the zero point.

**Pressure transmitter**

The pressure transmitter influences the temperature operating range, the  $T_K$  zero point and the response time as a result of its volume change. The volume change is the volume that has to be shifted to pass through the complete measuring range.

Pressure transmitters from Endress+Hauser are optimized with regard to minimum volume change.

## Diaphragm seal filling oils

Version <sup>1</sup>	Filling oil	Permissible temperature range <sup>2</sup> at 0.05 bar (0.725 psi) ≤ p <sub>abs</sub> ≤ 1 bar (14.5 psi)	Permissible temperature range <sup>2</sup> at p <sub>abs</sub> ≥ 1 bar (14.5 psi)	Density	Viscosity	Coefficient of thermal expansion [1/K]	Notes
				[g/cm <sup>3</sup> ] / [SGU]	[mm <sup>2</sup> /s] / [cSt] at 25 °C (77 °F)]		
A, H, 1 or 2	Silicone oil	-40 to +180°C (-40 to +356°F)	-40 to +250°C (-40 to +482 °F)	0.96	100	0.00096	Suitable for foods FDA 21 CFR 175.105
G, 3 or 4	High-temperature oil	-10 to +200°C (+14 to +392 °F)	-10 to +400°C (+14 to +752 °F)	1.07	37	0.0007	High temperatures
F or N	Inert oil	-40 to +80°C (-40 to +176 °F)	-40 to +175°C (-40 to +347 °F)	1.87	27	0.000876	For ultrapure gas and oxygen applications
D, 5 or 6	Vegetable oil	-10 to +120°C (+14 to +248 °F)	-10 to +200°C (+14 to +392 °F)	0.94	9.5	0.00101	Suitable for foods FDA 21 CFR 172.856
7 or 8	Low-temperature oil	-70 to +80°C (-94 to +176 °F)	-70 to +180°C (-94 to +349 °F)	0.92	4.4	0.00108	Low temperatures

1) Version for feature 90 in the order code (→ 84 ff)

2) Observe temperature limits of the device (→ 30) and the system (→ 70).

## Installation instructions

## Diaphragm seal systems

- Endress+Hauser offer flushing rings as accessories to clean process isolating diaphragms without taking the transmitters out of the process.  
For further information please contact your local Endress+Hauser Sales Center.
- The diaphragm seal together with the transmitter form a closed, calibrated system, which is filled through ports in the diaphragm seal and in the measuring system of the transmitter. These ports are sealed and must not be opened.
- For devices with a temperature isolator or capillary, a suitable fastening device (mounting bracket) is recommended.
- For more detailed installation instructions, Endress+Hauser provides its customers with the free "Applicator Sizing Diaphragm Seal" tool, which is available on CD or can be downloaded online at "www.endress.com/applicator".

## Capillary

In order to obtain more precise measurement results and to avoid a defect in the device, mount the capillaries as follows:

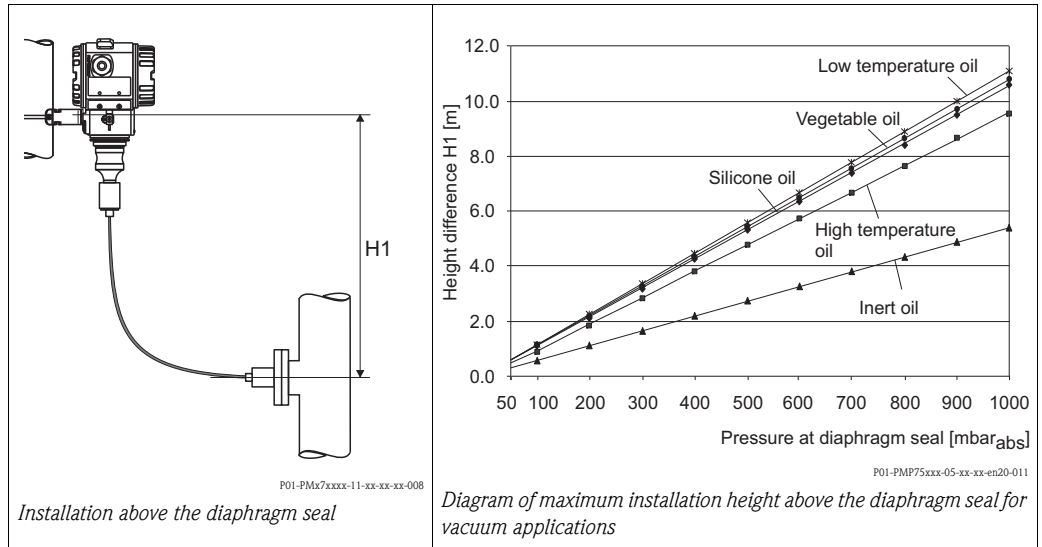
- vibration-free (in order to avoid additional pressure fluctuations)
- not in the vicinity of heating or cooling lines
- insulate if the ambient temperature is below or above the reference temperature
- with a bending radius of ≥ 100 mm (3.94 in).
- When using diaphragm seal systems with capillaries, sufficient strain relief must be allowed for in order to prevent the capillary bending down (capillary bending radius ≥ 100 mm (3.94 in)).
- In the case of devices with diaphragm seals and capillaries, the zero point shift caused by the hydrostatic pressure of the filling liquid column in the capillaries must be taken into account when selecting the measuring cell. If a measuring cell with a small measuring range is selected, a position adjustment can cause range violation.

## Vacuum applications

For applications under vacuum, Endress+Hauser recommends mounting the pressure transmitter below the diaphragm seal. This prevents vacuum load of the diaphragm seal caused by the presence of fill fluid in the capillary.

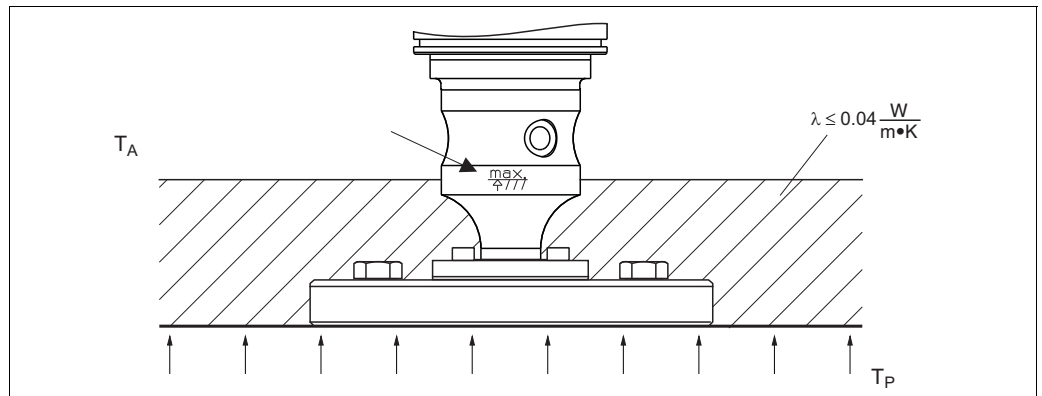
When the pressure transmitter is mounted above the diaphragm seal, the maximum height difference H1 in accordance with the illustration below must not be exceeded. The maximum height difference is dependent on the density of the filling oil and the smallest ever pressure that is permitted to occur at the diaphragm seal (empty tank), see the following illustration, on the right.





**Heat insulation**

The PMP75 must only be insulated up to a certain height. The maximum permitted insulation height is indicated on the devices and applies to an insulation material with a heat conductivity  $\leq 0.04 \text{ W}/(\text{m} \times \text{K})$  and to the maximum permitted ambient and process temperature. The data were determined under the most critical application "quiescent air".



*Maximum insulation height, here indicated on a PMP75 with a flange*

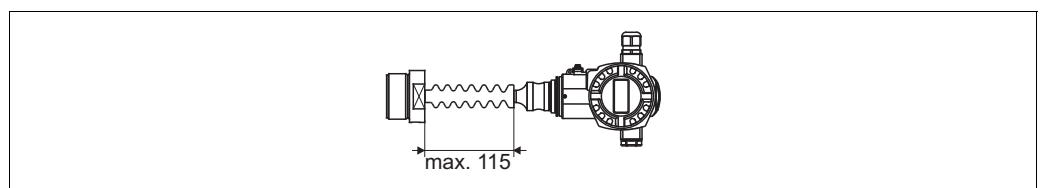
**Mounting with temperature isolator**

Endress+Hauser recommends the use of temperature isolators in the event of constant extreme medium temperatures which cause the maximum permissible electronics temperature of +85 °C (185 °F) to be exceeded.

Depending on the filling oil used, diaphragm seal systems with temperature isolators can be used for maximum temperatures of up to 260 °C (500 °F). → Temperature application limits, see → 72, "Diaphragm seal filling oils" section.



To minimize the influence of rising heat, Endress+Hauser recommends the device be mounted horizontally or with the housing pointing downwards.

The additional installation height also brings about a zero point shift of maximum 21 mbar (0.315 psi) due to the hydrostatic column in the temperature isolator. You can correct this zero point shift at the device.



*PMP75 with temperature isolator, material 316L (1.4404)*

## Certificates and approvals

<b>CE mark</b>	The device meets the legal requirements of the relevant EC directives. Endress+Hauser confirms that the device has been successfully tested by applying the CE mark.
<b>Ex approvals</b>	<ul style="list-style-type: none"> <li>■ ATEX</li> <li>■ FM</li> <li>■ CSA</li> <li>■ NEPSI</li> <li>■ IECEx</li> <li>• TIIS</li> <li>• GOST</li> <li>■ Also combinations of different approvals</li> </ul> <p>All explosion protection data are given in separate documentation which is available upon request. The Ex documentation is supplied as standard with all devices approved for use in explosion hazardous areas. → 89 ff, "Safety Instructions" and "Installation/Control Drawings" sections.</p>
<b>Suitability for hygienic processes</b>	<p>The Cerabar S is suitable for use in hygienic processes. Overview of suitable process connections from Page 33. Many versions meet the requirements of 3A-Sanitary Standard No. 74 and are certified by the EHEDG. Suitable fittings and seals must be used to ensure hygiene-compliant design according to the specifications of 3A and EHEDG.</p> <p>Note! The gap-free connections can be cleaned without residue using the usual cleaning methods.</p> <div style="text-align: right;">   </div>
<b>Marine certificate</b>	<ul style="list-style-type: none"> <li>■ GL</li> <li>■ ABS</li> </ul>
<b>Functional safety SIL/ IEC 61508 Declaration of Conformity (optional)</b>	<p>The Cerabar S devices with a 4 to 20 mA output signal have been developed in accordance with the IEC 61508 standard. These devices can be used to monitor the process level and pressure up to SIL 3. For a detailed description of the safety functions with Cerabar S, settings and functional safety data, see the "Functional safety manual - Cerabar S" SD190P. For devices up to SIL 3 / IEC 61508 Declaration of Conformity, see → 76 ff, feature 100 "Additional option 1" and feature 110 "Additional option 2" version E "SIL / IEC 61508 Declaration of Conformity".</p>
<b>Overfill protection</b>	WHG
<b>CRN approvals</b>	<p>Some device versions have CRN approval. For a CRN-approved device, a CRN-approved process connection (→ 32 ff, "Process connection") has to be ordered with a CSA approval (→ 76 ff, feature 10 "Approval"). PMP75 devices with a capillary are not CRN-approved. These devices are fitted with a separate plate bearing the registration number 0F10525.5C.</p>
<b>Pressure Equipment Directive (PED)</b>	<p>The devices PMC71, PMP71 and PMP75 correspond to Article 3 (3) of the EC directive 97/23/EC (Pressure Equipment Directive) and have been designed and manufactured according to good engineering practice.</p> <p>The following also applies:</p> <ul style="list-style-type: none"> <li>– PMP71 with threaded connection and internal process isolating diaphragm PN &gt; 200 as well as oval flange adapter PN &gt; 200: Suitable for stable gases in group 1, category I</li> <li>– PMP75 with pipe diaphragm seal ≥ 1.5"/PN 40: Suitable for stable gases in group 1, category II</li> <li>– PMP75 with separators PN &gt; 200 ≥ 1.5"/PN40: Suitable for stable gases in group 1, category I</li> <li>– PMP75 with threaded connection PN &gt; 200</li> </ul>

**Standards and guidelines**

DIN EN 60770 (IEC 60770):

Transmitters for use in industrial-process control systems

Part 1: Methods for performance evaluation

DIN 16086:

Electrical pressure measuring instruments, pressure sensors, pressure transmitters, pressure measuring instruments, concepts, specifications on data sheets

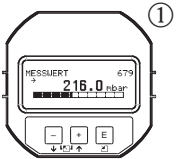
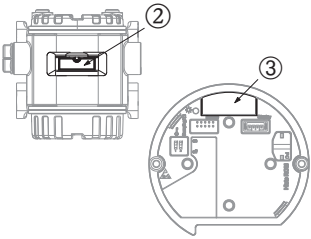
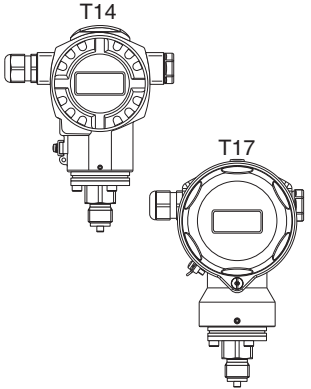
EN 61326-X:

EMC product family standard for electrical equipment for measurement, control and laboratory use.

## Ordering information

PMC71

This overview does not mark options which are mutually exclusive.

	<table border="1"> <thead> <tr> <th colspan="2">10 Approval:</th> </tr> </thead> <tbody> <tr> <td>A</td> <td>For non-hazardous areas</td> </tr> <tr> <td>E</td> <td>Combined certificates ATEX II Ex ia + FM IS + CSA IS ATEX II 1/2G Ex ia IIC T6 + FM/CSA IS Class I, II, III Division 1 Group A - G</td> </tr> <tr> <td>1</td> <td>ATEX II 1/2 G Ex ia IIC T6</td> </tr> <tr> <td>6</td> <td>ATEX II 1/2 G Ex ia IIC T6, overfill protection WHG</td> </tr> <tr> <td>2</td> <td>ATEX II 1/2 D Ex ia IIC T6</td> </tr> <tr> <td>8</td> <td>ATEX II 1 GD Ex ia IIC T6</td> </tr> <tr> <td>3</td> <td>ATEX II 1/2 GD Ex ia IIC T6</td> </tr> <tr> <td>5</td> <td>ATEX II 2 G Ex d[ia] IIC T6</td> </tr> <tr> <td>7</td> <td>ATEX II 3 G Ex nA II T6</td> </tr> <tr> <td>S</td> <td>FM IS, Class I, II, III Division 1, Groups A - G; NI Class I Division 2, Groups A - D; AEx ia</td> </tr> <tr> <td>T</td> <td>FM XP, Class I Division 1, Groups A - D; AEx d</td> </tr> <tr> <td>R</td> <td>FM NI, Class I, Division 2, Groups A - D</td> </tr> <tr> <td>U</td> <td>CSA IS, Class I, II, III Division 1, Groups A - G; Class I Division 2, Groups A - D, Ex ia</td> </tr> <tr> <td>V</td> <td>CSA XP, Class I Division 1, Groups B - D; Ex d</td> </tr> <tr> <td>G</td> <td>NEPSI Ex d[ia] IIC T4/T6</td> </tr> <tr> <td>H</td> <td>NEPSI Ex ia IIC T6</td> </tr> <tr> <td>L</td> <td>TIIS Ex d (ia) IIC T6</td> </tr> <tr> <td>M</td> <td>TIIS Ex d (ia) IIC T4</td> </tr> <tr> <td>I</td> <td>IECEx Zone 0/1 Ex ia IIC T6</td> </tr> </tbody> </table>	10 Approval:		A	For non-hazardous areas	E	Combined certificates ATEX II Ex ia + FM IS + CSA IS ATEX II 1/2G Ex ia IIC T6 + FM/CSA IS Class I, II, III Division 1 Group A - G	1	ATEX II 1/2 G Ex ia IIC T6	6	ATEX II 1/2 G Ex ia IIC T6, overfill protection WHG	2	ATEX II 1/2 D Ex ia IIC T6	8	ATEX II 1 GD Ex ia IIC T6	3	ATEX II 1/2 GD Ex ia IIC T6	5	ATEX II 2 G Ex d[ia] IIC T6	7	ATEX II 3 G Ex nA II T6	S	FM IS, Class I, II, III Division 1, Groups A - G; NI Class I Division 2, Groups A - D; AEx ia	T	FM XP, Class I Division 1, Groups A - D; AEx d	R	FM NI, Class I, Division 2, Groups A - D	U	CSA IS, Class I, II, III Division 1, Groups A - G; Class I Division 2, Groups A - D, Ex ia	V	CSA XP, Class I Division 1, Groups B - D; Ex d	G	NEPSI Ex d[ia] IIC T4/T6	H	NEPSI Ex ia IIC T6	L	TIIS Ex d (ia) IIC T6	M	TIIS Ex d (ia) IIC T4	I	IECEx Zone 0/1 Ex ia IIC T6
10 Approval:																																									
A	For non-hazardous areas																																								
E	Combined certificates ATEX II Ex ia + FM IS + CSA IS ATEX II 1/2G Ex ia IIC T6 + FM/CSA IS Class I, II, III Division 1 Group A - G																																								
1	ATEX II 1/2 G Ex ia IIC T6																																								
6	ATEX II 1/2 G Ex ia IIC T6, overfill protection WHG																																								
2	ATEX II 1/2 D Ex ia IIC T6																																								
8	ATEX II 1 GD Ex ia IIC T6																																								
3	ATEX II 1/2 GD Ex ia IIC T6																																								
5	ATEX II 2 G Ex d[ia] IIC T6																																								
7	ATEX II 3 G Ex nA II T6																																								
S	FM IS, Class I, II, III Division 1, Groups A - G; NI Class I Division 2, Groups A - D; AEx ia																																								
T	FM XP, Class I Division 1, Groups A - D; AEx d																																								
R	FM NI, Class I, Division 2, Groups A - D																																								
U	CSA IS, Class I, II, III Division 1, Groups A - G; Class I Division 2, Groups A - D, Ex ia																																								
V	CSA XP, Class I Division 1, Groups B - D; Ex d																																								
G	NEPSI Ex d[ia] IIC T4/T6																																								
H	NEPSI Ex ia IIC T6																																								
L	TIIS Ex d (ia) IIC T6																																								
M	TIIS Ex d (ia) IIC T4																																								
I	IECEx Zone 0/1 Ex ia IIC T6																																								
	<table border="1"> <thead> <tr> <th colspan="2">20 Output; Operation:</th> </tr> </thead> <tbody> <tr> <td>A</td> <td>4 to 20 mA HART, operation outside, LCD (→ see Fig. ①, ②)</td> </tr> <tr> <td>B</td> <td>4 to 20 mA HART, operation inside, LCD (→ see Fig. ①, ③)</td> </tr> <tr> <td>C</td> <td>4 to 20 mA HART, operation inside (→ see Fig. ③)</td> </tr> <tr> <td>M</td> <td>PROFIBUS PA, operation outside, LCD (→ see Fig. ①, ②)</td> </tr> <tr> <td>N</td> <td>PROFIBUS PA, operation inside, LCD (→ see Fig. ①, ③)</td> </tr> <tr> <td>O</td> <td>PROFIBUS PA, operation inside (→ see Fig. ③)</td> </tr> <tr> <td>P</td> <td>FOUNDATION Fieldbus, operation outside, LCD (→ see Fig. ①, ③)</td> </tr> <tr> <td>Q</td> <td>FOUNDATION Fieldbus, operation inside, LCD (→ see Fig. ①, ③)</td> </tr> <tr> <td>R</td> <td>FOUNDATION Fieldbus, operation inside (→ see Fig. ③)</td> </tr> </tbody> </table>	20 Output; Operation:		A	4 to 20 mA HART, operation outside, LCD (→ see Fig. ①, ②)	B	4 to 20 mA HART, operation inside, LCD (→ see Fig. ①, ③)	C	4 to 20 mA HART, operation inside (→ see Fig. ③)	M	PROFIBUS PA, operation outside, LCD (→ see Fig. ①, ②)	N	PROFIBUS PA, operation inside, LCD (→ see Fig. ①, ③)	O	PROFIBUS PA, operation inside (→ see Fig. ③)	P	FOUNDATION Fieldbus, operation outside, LCD (→ see Fig. ①, ③)	Q	FOUNDATION Fieldbus, operation inside, LCD (→ see Fig. ①, ③)	R	FOUNDATION Fieldbus, operation inside (→ see Fig. ③)																				
20 Output; Operation:																																									
A	4 to 20 mA HART, operation outside, LCD (→ see Fig. ①, ②)																																								
B	4 to 20 mA HART, operation inside, LCD (→ see Fig. ①, ③)																																								
C	4 to 20 mA HART, operation inside (→ see Fig. ③)																																								
M	PROFIBUS PA, operation outside, LCD (→ see Fig. ①, ②)																																								
N	PROFIBUS PA, operation inside, LCD (→ see Fig. ①, ③)																																								
O	PROFIBUS PA, operation inside (→ see Fig. ③)																																								
P	FOUNDATION Fieldbus, operation outside, LCD (→ see Fig. ①, ③)																																								
Q	FOUNDATION Fieldbus, operation inside, LCD (→ see Fig. ①, ③)																																								
R	FOUNDATION Fieldbus, operation inside (→ see Fig. ③)																																								
	<table border="1"> <thead> <tr> <th colspan="2">30 Housing; Cable entry; Protection:</th> </tr> </thead> <tbody> <tr> <td>A</td> <td>Aluminum T14 housing, optional display on the side, IP 66/67/NEMA 4X/ 6P, Gland M 20x1.5</td> </tr> <tr> <td>B</td> <td>Aluminum T14 housing, optional display on the side, IP 66/67/NEMA 4X/ 6P, Thread G 1/2</td> </tr> <tr> <td>C</td> <td>Aluminum T14 housing, optional display on the side, IP 66/67/NEMA 4X/ 6P, Thread 1/2 NPT</td> </tr> <tr> <td>D</td> <td>Aluminum T14 housing, optional display on the side, IP66/67/NEMA 4X/ 6P, M 12x1 PA plug,</td> </tr> <tr> <td>E</td> <td>Aluminum T14 housing, optional display on the side, IP 66/67/NEMA 4X/ 6P, 7/8" FF plug</td> </tr> <tr> <td>F</td> <td>Aluminum T14 housing, optional display on the side, IP 65/NEMA 4X, Han7D plug, 90°</td> </tr> <tr> <td>1</td> <td>AlSI 316L T14 housing, optional display on the side, IP 66/67/NEMA 4X/ 6P, Gland M 20x1.5</td> </tr> <tr> <td>2</td> <td>AlSI 316L T14 housing, optional display on the side, IP 66/67/NEMA 4X/ 6P, Thread G 1/2</td> </tr> <tr> <td>3</td> <td>AlSI 316L T14 housing, optional display on the side, IP 66/67/NEMA 4X/ 6P, Thread 1/2 NPT</td> </tr> <tr> <td>4</td> <td>AlSI 316L T14 housing, optional display on the side, IP 66/67/NEMA 4X/ 6P, M 12x1 PA plug</td> </tr> <tr> <td>5</td> <td>AlSI 316L T14 housing, optional display on the side, IP 66/67/NEMA 4X/ 6P, 7/8" FF plug</td> </tr> <tr> <td>6</td> <td>AlSI 316L T14 housing, optional display on the side, IP 65/NEMA 4X, Han7D plug, 90°</td> </tr> <tr> <td>R</td> <td>T17 316L Hygiene IP66/68 NEMA6P; M20 gland, T17 = side cover</td> </tr> <tr> <td>S</td> <td>T17 316L Hygiene IP66/68 NEMA6P; G1/2 thread, T17 = side cover</td> </tr> <tr> <td>T</td> <td>T17 316L Hygiene IP66/68 NEMA6P; NPT1/2 thread, T17 = side cover</td> </tr> <tr> <td>U</td> <td>T17 316L Hygiene IP66/68 NEMA6P; M12 plug, T17 = side cover</td> </tr> <tr> <td>V</td> <td>T17 316L Hygiene IP66/68 NEMA6P; 7/8" plug, T17 = side cover</td> </tr> </tbody> </table>	30 Housing; Cable entry; Protection:		A	Aluminum T14 housing, optional display on the side, IP 66/67/NEMA 4X/ 6P, Gland M 20x1.5	B	Aluminum T14 housing, optional display on the side, IP 66/67/NEMA 4X/ 6P, Thread G 1/2	C	Aluminum T14 housing, optional display on the side, IP 66/67/NEMA 4X/ 6P, Thread 1/2 NPT	D	Aluminum T14 housing, optional display on the side, IP66/67/NEMA 4X/ 6P, M 12x1 PA plug,	E	Aluminum T14 housing, optional display on the side, IP 66/67/NEMA 4X/ 6P, 7/8" FF plug	F	Aluminum T14 housing, optional display on the side, IP 65/NEMA 4X, Han7D plug, 90°	1	AlSI 316L T14 housing, optional display on the side, IP 66/67/NEMA 4X/ 6P, Gland M 20x1.5	2	AlSI 316L T14 housing, optional display on the side, IP 66/67/NEMA 4X/ 6P, Thread G 1/2	3	AlSI 316L T14 housing, optional display on the side, IP 66/67/NEMA 4X/ 6P, Thread 1/2 NPT	4	AlSI 316L T14 housing, optional display on the side, IP 66/67/NEMA 4X/ 6P, M 12x1 PA plug	5	AlSI 316L T14 housing, optional display on the side, IP 66/67/NEMA 4X/ 6P, 7/8" FF plug	6	AlSI 316L T14 housing, optional display on the side, IP 65/NEMA 4X, Han7D plug, 90°	R	T17 316L Hygiene IP66/68 NEMA6P; M20 gland, T17 = side cover	S	T17 316L Hygiene IP66/68 NEMA6P; G1/2 thread, T17 = side cover	T	T17 316L Hygiene IP66/68 NEMA6P; NPT1/2 thread, T17 = side cover	U	T17 316L Hygiene IP66/68 NEMA6P; M12 plug, T17 = side cover	V	T17 316L Hygiene IP66/68 NEMA6P; 7/8" plug, T17 = side cover				
30 Housing; Cable entry; Protection:																																									
A	Aluminum T14 housing, optional display on the side, IP 66/67/NEMA 4X/ 6P, Gland M 20x1.5																																								
B	Aluminum T14 housing, optional display on the side, IP 66/67/NEMA 4X/ 6P, Thread G 1/2																																								
C	Aluminum T14 housing, optional display on the side, IP 66/67/NEMA 4X/ 6P, Thread 1/2 NPT																																								
D	Aluminum T14 housing, optional display on the side, IP66/67/NEMA 4X/ 6P, M 12x1 PA plug,																																								
E	Aluminum T14 housing, optional display on the side, IP 66/67/NEMA 4X/ 6P, 7/8" FF plug																																								
F	Aluminum T14 housing, optional display on the side, IP 65/NEMA 4X, Han7D plug, 90°																																								
1	AlSI 316L T14 housing, optional display on the side, IP 66/67/NEMA 4X/ 6P, Gland M 20x1.5																																								
2	AlSI 316L T14 housing, optional display on the side, IP 66/67/NEMA 4X/ 6P, Thread G 1/2																																								
3	AlSI 316L T14 housing, optional display on the side, IP 66/67/NEMA 4X/ 6P, Thread 1/2 NPT																																								
4	AlSI 316L T14 housing, optional display on the side, IP 66/67/NEMA 4X/ 6P, M 12x1 PA plug																																								
5	AlSI 316L T14 housing, optional display on the side, IP 66/67/NEMA 4X/ 6P, 7/8" FF plug																																								
6	AlSI 316L T14 housing, optional display on the side, IP 65/NEMA 4X, Han7D plug, 90°																																								
R	T17 316L Hygiene IP66/68 NEMA6P; M20 gland, T17 = side cover																																								
S	T17 316L Hygiene IP66/68 NEMA6P; G1/2 thread, T17 = side cover																																								
T	T17 316L Hygiene IP66/68 NEMA6P; NPT1/2 thread, T17 = side cover																																								
U	T17 316L Hygiene IP66/68 NEMA6P; M12 plug, T17 = side cover																																								
V	T17 316L Hygiene IP66/68 NEMA6P; 7/8" plug, T17 = side cover																																								
	<table border="1"> <thead> <tr> <th colspan="2">40 Sensor range; Sensor over pressure limit (= OPL):</th> </tr> <tr> <th colspan="2">Sensors for gauge pressure</th> </tr> <tr> <th colspan="2">Measurement limits: -100 % (-1 bar) to +100 % of sensor nominal value</th> </tr> <tr> <th></th> <th>Sensor rated value (URL)</th> <th>OPL (over pressure limit)</th> </tr> </thead> <tbody> <tr> <td>1C</td> <td>100 mbar/10 kPa/1.5 psi g</td> <td>4 bar/400 kPa/60 psi g</td> </tr> <tr> <td>1E</td> <td>250 mbar/25 kPa/3.75 psi g</td> <td>5 bar/500 kPa/75 psi g</td> </tr> <tr> <td>1F</td> <td>400 mbar/40 kPa/6 psi g</td> <td>8 bar/800 kPa/120 psi g</td> </tr> <tr> <td>1H</td> <td>1 bar/100 kPa/15 psi g</td> <td>10 bar/1 MPa/150 psi g</td> </tr> <tr> <td>1K</td> <td>2 bar/200 kPa/30 psi g</td> <td>18 bar/1.8 MPa/270 psi g</td> </tr> <tr> <td>1M</td> <td>4 bar/400 kPa/60 psi g</td> <td>25 bar/2.5 MPa/375 psi g</td> </tr> <tr> <td>1P</td> <td>10 bar/1 MPa/150 psi g</td> <td>40 bar/4 MPa/600 psi g</td> </tr> <tr> <td>1S</td> <td>40 bar/4 MPa/600 psi g</td> <td>60 bar/6 MPa/900 psi g</td> </tr> </tbody> </table>	40 Sensor range; Sensor over pressure limit (= OPL):		Sensors for gauge pressure		Measurement limits: -100 % (-1 bar) to +100 % of sensor nominal value			Sensor rated value (URL)	OPL (over pressure limit)	1C	100 mbar/10 kPa/1.5 psi g	4 bar/400 kPa/60 psi g	1E	250 mbar/25 kPa/3.75 psi g	5 bar/500 kPa/75 psi g	1F	400 mbar/40 kPa/6 psi g	8 bar/800 kPa/120 psi g	1H	1 bar/100 kPa/15 psi g	10 bar/1 MPa/150 psi g	1K	2 bar/200 kPa/30 psi g	18 bar/1.8 MPa/270 psi g	1M	4 bar/400 kPa/60 psi g	25 bar/2.5 MPa/375 psi g	1P	10 bar/1 MPa/150 psi g	40 bar/4 MPa/600 psi g	1S	40 bar/4 MPa/600 psi g	60 bar/6 MPa/900 psi g							
40 Sensor range; Sensor over pressure limit (= OPL):																																									
Sensors for gauge pressure																																									
Measurement limits: -100 % (-1 bar) to +100 % of sensor nominal value																																									
	Sensor rated value (URL)	OPL (over pressure limit)																																							
1C	100 mbar/10 kPa/1.5 psi g	4 bar/400 kPa/60 psi g																																							
1E	250 mbar/25 kPa/3.75 psi g	5 bar/500 kPa/75 psi g																																							
1F	400 mbar/40 kPa/6 psi g	8 bar/800 kPa/120 psi g																																							
1H	1 bar/100 kPa/15 psi g	10 bar/1 MPa/150 psi g																																							
1K	2 bar/200 kPa/30 psi g	18 bar/1.8 MPa/270 psi g																																							
1M	4 bar/400 kPa/60 psi g	25 bar/2.5 MPa/375 psi g																																							
1P	10 bar/1 MPa/150 psi g	40 bar/4 MPa/600 psi g																																							
1S	40 bar/4 MPa/600 psi g	60 bar/6 MPa/900 psi g																																							

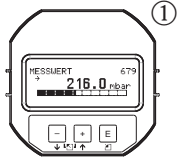
<b>40</b>					<p><b>Sensor range; Sensor over pressure limit (= OPL):</b></p> <p><b>Sensors for absolute pressure</b></p> <table border="1"> <thead> <tr> <th></th> <th><b>Sensor rated value (URL)</b></th> <th><b>OPL (over pressure limit)</b></th> </tr> </thead> <tbody> <tr> <td>2C</td> <td>100 mbar/10 kPa/1.5 psi abs</td> <td>4 bar/400 kPa/60 psi abs</td> </tr> <tr> <td>2E</td> <td>250 mbar/25 kPa/3.75 psi abs</td> <td>5 bar/500 kPa/75 psi abs</td> </tr> <tr> <td>2F</td> <td>400 mbar/40 kPa/6 psi abs</td> <td>8 bar/800 kPa/120 psi abs</td> </tr> <tr> <td>2H</td> <td>1 bar/100 kPa/15 psi abs</td> <td>10 bar/1 MPa/150 psi abs</td> </tr> <tr> <td>2K</td> <td>2 bar/200 kPa/30 psi abs</td> <td>18 bar/1.8 MPa/270 psi abs</td> </tr> <tr> <td>2M</td> <td>4 bar/400 kPa/60 psi abs</td> <td>25 bar/2.5 MPa/375 psi abs</td> </tr> <tr> <td>2P</td> <td>10 bar/1 MPa/150 psi abs</td> <td>40 bar/4 MPa/600 psi abs</td> </tr> <tr> <td>2S</td> <td>40 bar/4 MPa/600 psi abs</td> <td>60 bar/6 MPa/900 psi abs</td> </tr> </tbody> </table>		<b>Sensor rated value (URL)</b>	<b>OPL (over pressure limit)</b>	2C	100 mbar/10 kPa/1.5 psi abs	4 bar/400 kPa/60 psi abs	2E	250 mbar/25 kPa/3.75 psi abs	5 bar/500 kPa/75 psi abs	2F	400 mbar/40 kPa/6 psi abs	8 bar/800 kPa/120 psi abs	2H	1 bar/100 kPa/15 psi abs	10 bar/1 MPa/150 psi abs	2K	2 bar/200 kPa/30 psi abs	18 bar/1.8 MPa/270 psi abs	2M	4 bar/400 kPa/60 psi abs	25 bar/2.5 MPa/375 psi abs	2P	10 bar/1 MPa/150 psi abs	40 bar/4 MPa/600 psi abs	2S	40 bar/4 MPa/600 psi abs	60 bar/6 MPa/900 psi abs
	<b>Sensor rated value (URL)</b>	<b>OPL (over pressure limit)</b>																														
2C	100 mbar/10 kPa/1.5 psi abs	4 bar/400 kPa/60 psi abs																														
2E	250 mbar/25 kPa/3.75 psi abs	5 bar/500 kPa/75 psi abs																														
2F	400 mbar/40 kPa/6 psi abs	8 bar/800 kPa/120 psi abs																														
2H	1 bar/100 kPa/15 psi abs	10 bar/1 MPa/150 psi abs																														
2K	2 bar/200 kPa/30 psi abs	18 bar/1.8 MPa/270 psi abs																														
2M	4 bar/400 kPa/60 psi abs	25 bar/2.5 MPa/375 psi abs																														
2P	10 bar/1 MPa/150 psi abs	40 bar/4 MPa/600 psi abs																														
2S	40 bar/4 MPa/600 psi abs	60 bar/6 MPa/900 psi abs																														
<b>50</b>					<p><b>Calibration; Unit:</b></p> <p>1 Sensor range; mbar/bar</p> <p>2 Sensor range; kPa/MPa</p> <p>3 Sensor range; mmH<sub>2</sub>O/mH<sub>2</sub>O</p> <p>4 Sensor range; inH<sub>2</sub>O/ftH<sub>2</sub>O</p> <p>6 Sensor range; psi</p> <p>B Customer-specific; see additional specification</p> <p>C Factory calibration certificate, 5-point; see additional specification</p> <p>D DKD certificate; see additional specification</p> <p>K Platinum; see additional specification</p> <p>L Platinum and factory calibration certificate, 5-point; see additional specification</p> <p>M Platinum and DKD certificate; see additional specification</p>																											
<b>70</b>					<p><b>Process connection; Material:</b></p> <p><b>Thread, internal process isolating diaphragm</b></p> <p>GA Thread ISO 228 G 1/2 A EN 837, AISI 316L (CRN)</p> <p>GB Thread ISO 228 G 1/2 A EN 837, Alloy C (CRN)</p> <p>GC Thread ISO 228 G 1/2 A EN 837, Monel</p> <p>GD Thread ISO 228 G 1/2 A EN 837, PVDF (max. 15 bar/225 psi, -10 to +60°C/+14 to +140°F)</p> <p>GE Thread ISO 228 G 1/2 A G 1/4 (female), AISI 316L (CRN)</p> <p>GF Thread ISO 228 G 1/2 A G 1/4 (female), Alloy C (CRN)</p> <p>GG Thread ISO 228 G 1/2 A G 1/4 (female), Monel</p> <p>GH Thread ISO 228 G 1/2 A hole 11.4 mm, AISI 316L (CRN)</p> <p>GJ Thread ISO 228 G 1/2 A hole 11.4 mm, Alloy C (CRN)</p> <p>GK Thread ISO 228 G 1/2 A hole 11.4 mm, Monel</p> <p>RA Thread ANSI 1/2 MNPT 1/4 FNPT, AISI 316L (CRN)</p> <p>RB Thread ANSI 1/2 MNPT 1/4 FNPT, Alloy C (CRN)</p> <p>RC Thread ANSI 1/2 MNPT 1/4 FNPT, Monel</p> <p>RD Thread ANSI 1/2 MNPT, hole 11.4 mm, AISI 316L (CRN)</p> <p>RE Thread ANSI 1/2 MNPT, hole 11.4 mm, Alloy C (CRN)</p> <p>RF Thread ANSI 1/2 MNPT, hole 11.4 mm, Monel</p> <p>RG Thread ANSI 1/2 MNPT hole 3 mm, PVDF (max. 15 bar/225 psi, -10 to +60°C/+14 to +140°F)</p> <p>RH Thread ANSI 1/2 FNPT, AISI 316L (CRN)</p> <p>RJ Thread ANSI 1/2 FNPT, Alloy C</p> <p>RK Thread ANSI 1/2 FNPT, Monel</p> <p>GL Thread JIS B0202 G 1/2 (male), AISI 316L</p> <p>RL Thread JIS B0203 R 1/2 (male), AISI 316L</p> <p>GP Thread DIN 13 M 20x1.5 EN 837 hole 3 mm, AISI 316L</p> <p>GQ Thread DIN 13 M 20x1.5 EN 837 hole 3 mm, Alloy C</p> <p><b>Thread, flush-mounted process isolating diaphragm</b></p> <p>1G Thread ISO 228 G 1 1/2 A, AISI 316L</p> <p>1H Thread ISO 228 G 1 1/2 A, Alloy C</p> <p>1J Thread ISO 228 G 1 1/2 A, Monel</p> <p>1K Thread ISO 228 G 2 A, AISI 316L</p> <p>1L Thread ISO 228 G 2 A, Alloy C</p> <p>1M Thread ISO 228 G 2 A, Monel</p> <p>2D Thread ANSI 1 1/2 MNPT, AISI 316L (CRN)</p> <p>2E Thread ANSI 1 1/2 MNPT, Alloy C (CRN)</p> <p>2F Thread ANSI 1 1/2 MNPT, Monel (CRN)</p> <p>2G Thread ANSI 2 MNPT, AISI 316L (CRN)</p> <p>2H Thread ANSI 2 MNPT, Alloy C</p> <p>2J Thread ANSI 2 MNPT, Monel</p> <p>1R Thread DIN 13 M 44x1.25, AISI 316L</p> <p>1S Thread DIN 13 M 44x1.25, Alloy C</p> <p><b>EN/DIN flanges, flush-mounted process isolating diaphragm</b></p> <p>CP DN 32 PN 10-40 B1, AISI 316L</p>																											

<b>70</b>											<b>Process connection; Material:</b>
											CQ DN 40 PN 10-40 B1, AISI 316L
											BR DN 50 PN 10-16 A, PVDF (max. 15 bar/225 psi, -10 to +60°C/+14 to +140°F)
											B3 DN 50 PN 10-40 B1, AISI 316L
											C3 DN 50 PN 63 B2, AISI 316L
											BS DN 80 PN 10-16 A, PVDF (max. 15 bar/225 psi, -10 to +60°C/+14 to +140°F)
											B4 DN 80 PN 10-40 B1, AISI 316L
											<b>ANSI flanges, flush-mounted process diaphragms</b>
											AE 1 1/2" 150 lbs RF, AISI 316/316L (CRN)
											AQ 1 1/2" 300 lbs RF, AISI 316/316L (CRN)
											AF 2" 150 lbs RF, AISI 316/316L (CRN)
											JR 2" 150 lbs RF, AISI 316L with ECTFE-coating
											A3 2" 150 lbs RF, PVDF (max. 15 bar/225 psi, -10 to +60°C/+14 to +140°F)
											AR 2" 300 lbs RF, AISI 316/316L (CRN)
											AG 3" 150 lbs RF, AISI 316/316L (CRN)
											JS 3" 150 lbs RF, AISI 316L with ECTFE-coating
											A4 3" 150 lbs RF, PVDF (max. 15 bar/225 psi, -10 to +60°C/+14 to +140°F)
											AS 3" 300 lbs RF, AISI 316/316L (CRN)
											AH 4" 150 lbs RF, AISI 316/316L (CRN)
											JT 4" 150 lbs RF, AISI 316L with ECTFE-coating
											AT 4" 300 lbs RF, AISI 316/316L (CRN)
											<b>JIS flanges, flush-mounted process isolating diaphragm</b>
											KF 10K 50A RF, AISI 316L
											KL 10K 80A RF, AISI 316L
											KH 10K 100A RF, AISI 316L
											<b>Hygienic connections, flush-mounted process isolating diaphragm</b>
											MP DIN 11851 DN 40 PN 25, AISI 316L, slotted nut, EHEDG, 3A with HNBR/EPDM seal (CRN)
											MR DIN 11851 DN 50 PN 25, AISI 316L, slotted nut, EHEDG, 3A with HNBR/EPDM seal (CRN)
											TD Tri-Clamp ISO 2852 DN 51 (2"), AISI 316L, EHEDG, 3A with HNBR/EPDM seal (CRN)
											TF Tri-Clamp ISO 2852 DN 76.1 (3"), AISI 316L, EHEDG, 3A with HNBR/EPDM seal (CRN)
											TK DRD DN50 (65 mm), PN 25, AISI 316L, with HNBR/EPDM seal
											TR Varivent type N for tubes DN 40 – DN 162, PN 40, AISI 316L, EHEDG, 3A with HNBR/EPDM seal (CRN)
<b>80</b>											<b>Seal:</b>
											A FKM Viton
											B EPDM
											D Kalrez
											E Chemraz
											F NBR (FDA)/3A: HNBR (FDA)
											L FKM Viton, cleaned for silicone-free applications
											M Kalrez, cleaned for silicone-free applications
											1 FKM Viton, cleaned from oil and grease
											2 FKM Viton, cleaned for oxygen service
											Note application limits pressure/temp.
<b>100</b>											<b>Additional option 1:</b>
											A Not selected
											E SIL/IEC 61508 Declaration of Conformity
											T High-temperature version
											B Material test certificate for wetted components, inspection certificate as per EN 10204 3.1 acc. to specification 52005759
											M Overvoltage protection
											J Software setting, see additional spec.
											Min alarm current
											HART burst mode PV
											Min alarm current + HART burst mode PV
											N HistoROM/M-DAT
											S GL/ABS marine certificate
											V Mounting on shut-off valve from above
											2 Test report acc. to EN 10204 2.2
											3 Routine test with certificate, inspection certificate as per EN 10204 3.1
											4 Overpressure test with certificate, inspection certificate as per EN 10204 3.1
<b>110</b>											<b>Additional option 2:</b>
											A Not selected
											E SIL2/IEC61508 Declaration of Conformity
											G Separate housing, cable length see additional spec. + mounting bracket, wall/pipe, 316L

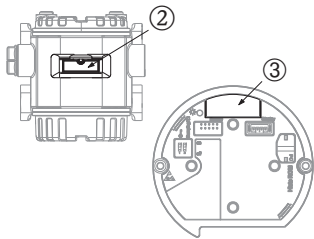
<b>110</b>																		<b>Additional option 2:</b>
																		T High-temperature version
																		M Overvoltage protection
																		J Software setting, see additional spec.
																		Min alarm current
																		HART burst mode PV
																		Min alarm current + HART burst mode PV
																		N HistoROM/M-DAT
																		S GL/ABS marine certificate
																		U Mounting bracket for wall/pipe, AISI 304
																		2 Test report acc. to EN10204 2.2
																		3 Routine test with certificate, inspection certificate as per EN 10204 3.1
																		4 Overpressure test with certificate, inspection certificate as per EN 10204 3.1
																		5 Helium leak test EN 1518 with test certificate, inspection certificate as per EN 10204 3.1
<b>995</b>																		<b>Identification:</b>
																		1 Measuring point TAG, see additional specification
																		2 Bus address, see additional specification
PMC71																		Order code

PMP71

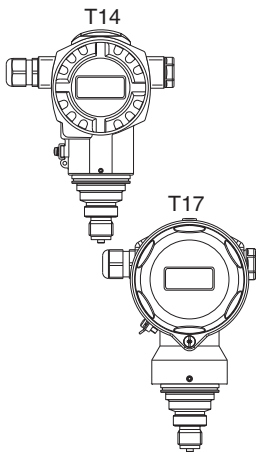
This overview does not mark options which are mutually exclusive.



10	Approval:
A	For non-hazardous areas
1	ATEX II 1/2 G Ex ia IIC T6
6	ATEX II 1/2 G Ex ia IIC T6, overfill protection WHG
2	ATEX II 1/2 D
4	ATEX II 1/3 D
8	ATEX II 1 GD Ex ia IIC T6
3	ATEX II 1/2 GD Ex ia IIC T6
5	ATEX II 2 G Ex d IIC T6
7	ATEX II 3 G Ex nA II T6
S	FM IS, Class I, II, III Division 1, Groups A – G; NI Class I Division 2, Groups A – D; AEx ia
T	FM XP, Class I Division 1, Groups A – D; AEx d
Q	FM DIP, Class II, III Division 1, Groups E – G
R	FM NI, Class I, Division 2, Groups A – D
U	CSA IS, Class I, II, III Division 1, Groups A – G; Class I Division 2, Groups A – D, Ex ia
V	CSA XP, Class I Division 1, Groups B – D; Ex d
W	CSA Class II, III Division 1, Groups E – G (Dust-Ex)
G	NEPSI Ex d IIC T6
H	NEPSI Ex ia IIC T6
L	TIIS Ex d IIC T6
I	IECEX Zone 0/1 Ex ia IIC T6
B	Combined certificates: ATEX II 1/2 G Ex ia IIC T6 + II 2 G Ex d IIC T6
C	Combined certificates: FM IS and XP Class I Division 1, Groups A – D
D	Combined certificates: CSA IS and XP Class I Division 1, Groups A – D
E	Combined certificates: FM/CSA IS and XP Class I Division 1, Groups A – D
F	Combined certificates: ATEX II Ex ia / Ex d + FM/CSA IS + XP ATEX II 1/2G Ex ia IIC T6+ ATEX II 2G Ex d IIC T6+ FM/CSA IS + XP Cl.I Div.1 Gr.A-D



20	Output; Operation:
A	4 to 20 mA HART, operation outside, LCD (→ see Fig. ①, ②)
B	4 to 20 mA HART, operation inside, LCD (→ see Fig. ①, ③)
C	4 to 20 mA HART, operation inside (→ see Fig. ③)
M	PROFIBUS PA, operation outside, LCD (→ see Fig. ①, ②)
N	PROFIBUS PA, operation inside, LCD (→ see Fig. ①, ③)
O	PROFIBUS PA, operation inside (→ see Fig. ③)
P	FOUNDATION Fieldbus, operation outside, LCD (→ see Fig. ①, ③)
Q	FOUNDATION Fieldbus, operation inside, LCD (→ see Fig. ①, ③)
R	FOUNDATION Fieldbus, operation inside (→ see Fig. ③)



30	Housing; Cable entry; Protection:
A	Aluminum T14 housing, optional display on the side, IP 66/67/NEMA 4X/ 6P, Gland M 20x1.5
B	Aluminum T14 housing, optional display on the side, IP 66/67/NEMA 4X/ 6P, Thread G 1/2
C	Aluminum T14 housing, optional display on the side, IP 66/67/NEMA 4X/ 6P, Thread 1/2 NPT
D	Aluminum T14 housing, optional display on the side, IP66/67/NEMA 4X/ 6P, M 12x1 PA plug,
E	Aluminum T14 housing, optional display on the side, IP 66/67/NEMA 4X/ 6P, 7/8" FF plug
F	Aluminum T14 housing, optional display on the side, IP 65/NEMA 4X, Han7D plug, 90°
1	AISI 316L T14 housing, optional display on the side, IP 66/67/NEMA 4X/ 6P, Gland M 20x1.5
2	AISI 316L T14 housing, optional display on the side, IP 66/67/NEMA 4X/ 6P, Thread G 1/2
3	AISI 316L T14 housing, optional display on the side, IP 66/67/NEMA 4X/ 6P, Thread 1/2 NPT
4	AISI 316L T14 housing, optional display on the side, IP 66/67/NEMA 4X/ 6P, M 12x1 PA plug
5	AISI 316L T14 housing, optional display on the side, IP 66/67/NEMA 4X/ 6P, 7/8" FF plug
6	AISI 316L T14 housing, optional display on the side, IP 65/NEMA 4X, Han7D plug, 90°
R	T17 316L Hygiene IP66/68 NEMA6P; M20 gland, T17 = side cover
S	T17 316L Hygiene IP66/68 NEMA6P; G1/2 thread, T17 = side cover
T	T17 316L Hygiene IP66/68 NEMA6P; NPT1/2 thread, T17 = side cover
U	T17 316L Hygiene IP66/68 NEMA6P; M12 plug, T17 = side cover
V	T17 316L Hygiene IP66/68 NEMA6P; 7/8" plug, T17 = side cover

40	Sensor range; Sensor over pressure limit (= OPL):								
	<b>Sensors for gauge pressure</b>								
	Measurement limits: -100 % (-1 bar) to +100 % of sensor nominal value								
	<table border="1"> <thead> <tr> <th>Sensor rated value (URL)</th> <th>OPL (over pressure limit)</th> </tr> </thead> <tbody> <tr> <td>1F 400 mbar/40 kPa/6 psi g</td> <td>6 bar/600 kPa/90 psi g</td> </tr> <tr> <td>1H 1 bar/100 kPa/15 psi g</td> <td>10 bar/1 MPa/150 psi g</td> </tr> <tr> <td>1K 2 bar/200 kPa/30 psi g</td> <td>20 bar/2 MPa/300 psi g</td> </tr> </tbody> </table>	Sensor rated value (URL)	OPL (over pressure limit)	1F 400 mbar/40 kPa/6 psi g	6 bar/600 kPa/90 psi g	1H 1 bar/100 kPa/15 psi g	10 bar/1 MPa/150 psi g	1K 2 bar/200 kPa/30 psi g	20 bar/2 MPa/300 psi g
Sensor rated value (URL)	OPL (over pressure limit)								
1F 400 mbar/40 kPa/6 psi g	6 bar/600 kPa/90 psi g								
1H 1 bar/100 kPa/15 psi g	10 bar/1 MPa/150 psi g								
1K 2 bar/200 kPa/30 psi g	20 bar/2 MPa/300 psi g								



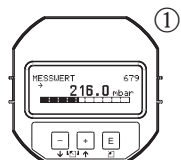




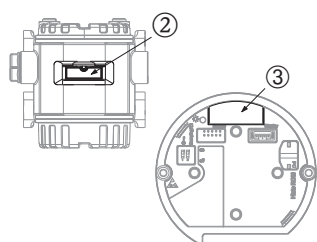


PMP75

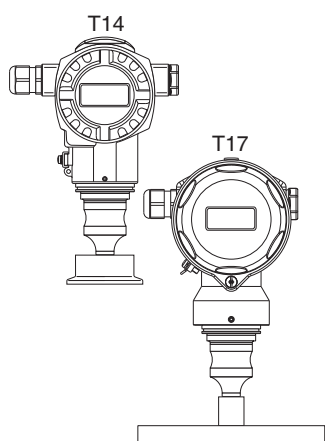
This overview does not mark options which are mutually exclusive.



10	Approval:
	A For non-hazardous areas
	1 ATEX II 1/2 G Ex ia IIC T6
	6 ATEX II 1/2 G Ex ia IIC T6, overfill protection WHG
	2 ATEX II 1/2 D
	4 ATEX II 1/3 D
	8 ATEX II 1 GD Ex ia IIC T6
	3 ATEX II 1/2 GD Ex ia IIC T6
	5 ATEX II 2 G Ex d IIC T6
	7 ATEX II 3 G Ex nA II T6
	S FM IS, Class I, II, III Division 1, Groups A – G; NI Class I Division 2, Groups A – D; AEx ia
	T FM XP, Class I Division 1, Groups A – D; AEx d
	Q FM DIP, Class II, III Division 1, Groups E – G
	R FM NI, Class I, Division 2, Groups A – D
	U CSA IS, Class I, II, III Division 1, Groups A – G; Class I Division 2, Groups A – D, Ex ia
	V CSA XP, Class I Division 1, Groups B – D; Ex d
	W CSA Class II, III Division 1, Groups E – G (Dust-Ex)
	G NEPSI Ex d IIC T6
	H NEPSI Ex ia IIC T6
	L TIIS Ex d IIC T6
	I IECEx Zone 0/1 Ex ia IIC T6
	B Combined certificates: ATEX II 1/2 G Ex ia IIC T6 + II 2 G Ex d IIC T6
	C Combined certificates: FM IS and XP Class I Division 1, Groups A – D
	D Combined certificates: CSA IS and XP Class I Division 1, Groups A – D
	E Combined certificates: FM/CSA IS and XP Class I Division 1, Groups A – D
	F Combined certificates: ATEX II Ex ia / Ex d + FM/CSA IS + XP ATEX II 1/2G Ex ia IIC T6+ ATEX II 2G Ex d IIC T6+ FM/CSA IS + XP Cl.I Div.1 Gr.A-D



20	Output; Operation:
	A 4 to 20 mA HART, operation outside, LCD (→ see Fig. ①, ②)
	B 4 to 20 mA HART, operation inside, LCD (→ see Fig. ①, ③)
	C 4 to 20 mA HART, operation inside (→ see Fig. ③)
	M PROFIBUS PA, operation outside, LCD (→ see Fig. ①, ②)
	N PROFIBUS PA, operation inside, LCD (→ see Fig. ①, ③)
	O PROFIBUS PA, operation inside (→ see Fig. ③)
	P FOUNDATION Fieldbus, operation outside, LCD (→ see Fig. ①, ③)
	Q FOUNDATION Fieldbus, operation inside, LCD (→ see Fig. ①, ③)
	R FOUNDATION Fieldbus, operation inside (→ see Fig. ③)



30	Housing; Cable entry; Protection:
	A Aluminum T14 housing, optional display on the side, IP 66/67/NEMA 4X/ 6P, Gland M 20x1.5
	B Aluminum T14 housing, optional display on the side, IP 66/67/NEMA 4X/ 6P, Thread G 1/2
	C Aluminum T14 housing, optional display on the side, IP 66/67/NEMA 4X/ 6P, Thread 1/2 NPT
	D Aluminum T14 housing, optional display on the side, IP66/67/NEMA 4X/ 6P, M 12x1 PA plug,
	E Aluminum T14 housing, optional display on the side, IP 66/67/NEMA 4X/ 6P, 7/8" FF plug
	F Aluminum T14 housing, optional display on the side, IP 65/NEMA 4X, Han7D plug, 90°
	1 AISI 316L T14 housing, optional display on the side, IP 66/67/NEMA 4X/ 6P, Gland M 20x1.5
	2 AISI 316L T14 housing, optional display on the side, IP 66/67/NEMA 4X/ 6P, Thread G 1/2
	3 AISI 316L T14 housing, optional display on the side, IP 66/67/NEMA 4X/ 6P, Thread 1/2 NPT
	4 AISI 316L T14 housing, optional display on the side, IP 66/67/NEMA 4X/ 6P, M 12x1 PA plug
	5 AISI 316L T14 housing, optional display on the side, IP 66/67/NEMA 4X/ 6P, 7/8" FF plug
	6 AISI 316L T14 housing, optional display on the side, IP 65/NEMA 4X, Han7D plug, 90°
	R T17 316L Hygiene IP66/68 NEMA6P; M20 gland, T17 = side cover
	S T17 316L Hygiene IP66/68 NEMA6P; G1/2 thread, T17 = side cover
	T T17 316L Hygiene IP66/68 NEMA6P; NPT1/2 thread, T17 = side cover
	U T17 316L Hygiene IP66/68 NEMA6P; M12 plug, T17 = side cover
	V T17 316L Hygiene IP66/68 NEMA6P; 7/8" plug, T17 = side cover

40	Sensor range; Sensor over pressure limit (= OPL):
	<b>Sensors for gauge pressure</b>
	Measurement limits: -100 % (-1 bar) to +100 % of sensor nominal value
	<b>Sensor rated value (URL)</b>
	<b>OPL (over pressure limit)</b>
	1F 400 mbar/40 kPa/6 psi 6 bar/600 kPa/90 psi
	1H 1 bar/100 kPa/15 psi 10 bar/1 MPa/150 psi
	1K 2 bar/200 kPa/30 psi 20 bar/2 MPa/300 psi
	1M 4 bar/400 kPa/60 psi 28 bar/2.8 MPa/420 psi





<b>90</b>	<b>Fill fluid, temperature isolation:</b>
	<ul style="list-style-type: none"> <li>F Inert oil</li> <li>G High-temperature oil, temp. isolator 100 mm</li> <li>H Silicone oil, temp. isolator 100 mm</li> <li>K Inert oil, cleaned from oil and grease</li> <li>N Inert oil, cleaned for oxygen services</li> <li>1 ... m capillary, silicone oil</li> <li>2 ... ft capillary, silicone oil</li> <li>3 ... m capillary, high-temperature oil</li> <li>4 ... ft capillary, high-temperature oil</li> <li>5 ... m capillary, vegetable oil</li> <li>6 ... ft capillary, vegetable oil</li> <li>7 ... m capillary, low-temperature oil</li> <li>8 ... ft capillary, low-temperature oil</li> </ul>
<b>100</b>	<b>Additional option 1:</b>
	<ul style="list-style-type: none"> <li>A Not selected</li> <li>E SIL2/IEC61508 Declaration of Conformity</li> <li>B Material test certificate for wetted components, inspection certificate as per EN 10204 3.1 acc. to specification 52005759</li> <li>C NACE MR0175 (wetted parts)</li> <li>D Material test certificate for wetted parts, inspection certificate as per EN 10204 3.1 and NACE MR0175 material, inspection certificate as per EN 10204 acc. to specification 52010806</li> <li>M Overvoltage protection</li> <li>J Software setting, see additional spec. <ul style="list-style-type: none"> <li>Min alarm current</li> <li>HART burst mode PV</li> <li>Min alarm current + HART burst mode PV</li> </ul> </li> <li>N HistoROM/M-DAT</li> <li>S GL/ABS marine certificate</li> <li>2 Test report acc. to EN10204 2.2</li> <li>3 Routine test with certificate, inspection certificate as per EN 10204 3.1</li> <li>4 Overpressure test with certificate, inspection certificate as per EN 10204 3.1</li> </ul>
<b>110</b>	<b>Additional option 2:</b>
	<ul style="list-style-type: none"> <li>A Not selected</li> <li>E SIL2/IEC61508 Declaration of Conformity</li> <li>G Separate housing, cable length see additional spec. + mounting bracket, wall/pipe, 316L</li> <li>M Overvoltage protection</li> <li>J Software setting, see additional spec. <ul style="list-style-type: none"> <li>Min alarm current</li> <li>HART burst mode PV</li> <li>Min alarm current + HART burst mode PV</li> </ul> </li> <li>N HistoROM/M-DAT</li> <li>P Ra &lt; 0.38 µm/15.75 µin, electropolished + EN10204-3.1 material (wetted) inspection certificate; in conjunction with process connection versions "TC", "TD" and "TR" please order roughness test separately</li> <li>S GL/ABS marine certificate</li> <li>U Mounting bracket for wall/pipe, AISI 304</li> <li>2 Test report acc. to EN 10204 2.2</li> <li>3 Routine test with certificate, inspection certificate as per EN 10204 3.1</li> <li>4 Overpressure test with certificate, inspection certificate as per EN 10204 3.1</li> </ul>
<b>995</b>	<b>Identification:</b>
	<ul style="list-style-type: none"> <li>1 Measuring point TAG, see additional specification</li> <li>2 Bus address, see additional specification</li> </ul>
PMP75	Order code

---

## Additional documentation

---

<b>Field of Activities</b>	<ul style="list-style-type: none"><li>■ Pressure measurement, powerful instruments for process pressure, differential pressure, level and flow: FA004P/00/EN</li></ul>
<b>Technical Information</b>	<ul style="list-style-type: none"><li>■ Deltabar S: TI382P/00/EN</li><li>■ Deltapilot S: TI416P/00/EN</li><li>■ EMC test procedures TI241F/00/EN</li></ul>
<b>Operating Instructions</b>	<p>4 to 20 mA HART:</p> <ul style="list-style-type: none"><li>■ Cerabar S: BA271P/00/EN</li><li>■ Description of device functions Cerabar S/Deltabar S/Deltapilot S: BA274P/00/EN</li></ul> <p>PROFIBUS PA:</p> <ul style="list-style-type: none"><li>■ Cerabar S: BA295P/00/EN</li><li>■ Description of device functions Cerabar S/Deltabar S/Deltapilot S: BA296P/00/EN</li></ul> <p>FOUNDATION Fieldbus:</p> <ul style="list-style-type: none"><li>■ Cerabar S: BA302P/00/EN</li><li>■ Description of device functions Cerabar S/Deltabar S/Deltapilot S: BA303P/00/EN</li></ul>
<b>Brief Operating Instructions</b>	<ul style="list-style-type: none"><li>■ 4 to 20 mA HART, Cerabar S: KA1019P/00/EN</li><li>■ PROFIBUS PA, Cerabar S: KA1022P/00/EN</li><li>■ FOUNDATION Fieldbus, Cerabar S: KA1025P/00/EN</li></ul>
<b>Functional safety manual (SIL)</b>	<ul style="list-style-type: none"><li>■ Cerabar S (4 to 20 mA): SD190P/00/EN</li></ul>

---



## Safety Instructions

Certificate/type of protection	Device	Electronics	Documentation	Version in the order code
ATEX II 1/2 G Ex ia IIC T6	PMC71, PMP71, PMP75	– 4 to 20 mA HART, PROFIBUS PA, FOUNDATION Fieldbus	– XA244P	1
ATEX II 1/2 D	PMP71, PMP75	– 4 to 20 mA HART – PROFIBUS PA, FOUNDATION Fieldbus	– XA246P – XA289P	2
ATEX II 1/2 D Ex ia IIC	PMC71	– 4 to 20 mA HART – PROFIBUS PA, FOUNDATION Fieldbus	– XA247P – XA290P	2
ATEX II 1/3 D	PMP71, PMP75	– 4 to 20 mA HART – PROFIBUS PA, FOUNDATION Fieldbus	– XA248P – XA291P	4
ATEX II 2 G Ex d IIC T6	PMP71, PMP75	– 4 to 20 mA HART, PROFIBUS PA, FOUNDATION Fieldbus	– XA249P	5
ATEX II 2 G Ex d[ia] IIC T6	PMC71	– 4 to 20 mA HART, PROFIBUS PA., FOUNDATION Fieldbus	– XA250P	5
ATEX II 3 G Ex nA II T6	PMC71, PMP71, PMP75	– 4 to 20 mA HART, PROFIBUS PA, FOUNDATION Fieldbus	– XA251P	7
ATEX II 1/2 GD Ex ia IIC T6	PMC71, PMP71, PMP75	– 4 to 20 mA HART, PROFIBUS PA, FOUNDATION Fieldbus	– XA253P	3
ATEX II 1 GD Ex ia IIC T6	PMC71, PMP71, PMP75	– 4 to 20 mA HART, PROFIBUS PA, FOUNDATION Fieldbus	– XA276P	8
ATEX II 1/2 G Ex ia IIC T6 + ATEX II 2 G Ex d IIC T6	PMP71, PMP75	– 4 to 20 mA HART, PROFIBUS PA, FOUNDATION Fieldbus	– XA252P	B

Certificate/type of protection	Device	Electronic insert	Documentation	Version in the order code
IECEx Zone 0/1 Ex ia IIC T6	PMC71, PMP71, PMP75	– 4 to 20 mA HART	– XB005P	I

Certificate/type of protection	Device	Electronic insert	Documentation	Version in the order code
NEPSI Ex ia IIC T6	PMC71, PMP71, PMP75	– 4 to 20 mA HART, PROFIBUS PA, FOUNDATION Fieldbus	– XC003P	H
NEPSI Ex d IIC T6	PMP71, PMP75	– 4 to 20 mA HART, PROFIBUS PA, FOUNDATION Fieldbus	– XC005P	G
NEPSI Ex d[ia] IIC T6	PMC71	– 4 to 20 mA HART, PROFIBUS PA, FOUNDATION Fieldbus	– XC005P	G

Certificate/type of protection	Device	Electronics	Documentation	Version in the order code
TIIS Ex d [ia] IIC T6	PMC71	- 4 to 20 mA HART	- TC17436	L
TIIS Ex d [ia] IIC T4	PMC71	- 4 to 20 mA HART	- TC17398, TC17399	M
TIIS Ex d IIC T6	PMP71 (700 bar version)	- 4 to 20 mA HART	- TC17445	L
TIIS Ex d IIC T6	PMP71, PMP75	- 4 to 20 mA HART	- TC17446	L

**Installation/Control Drawings**

Certificate/type of protection	Device	Electronics	Documentation	Version in the order code
FM IS Class I, II, III, Division 1, Groups A – G; NI, Class I Division 2, Groups A – D; AEx ia	PMC71, PMP71, PMP75	- 4 to 20 mA HART - PROFIBUS PA, FOUNDATION Fieldbus	- ZD147P - ZD188P	S
CSA IS Class I, II, III, Division 1, Groups A – G; Class I Division 2, Groups A – G	PMC71, PMP71, PMP75	- 4 to 20 mA HART - PROFIBUS PA, FOUNDATION Fieldbus	- ZD148P - ZD189P	U
FM IS + XP Class I, Division 1, Groups A – D	PMP71, PMP75	- 4 to 20 mA HART - PROFIBUS PA, FOUNDATION Fieldbus	- ZD187P - ZD190P	C
CSA IS + XP Class I Division 1, Groups A – D	PMP71, PMP75	- 4 to 20 mA HART - PROFIBUS PA, FOUNDATION Fieldbus	- ZD154P - ZD191P	D
FM/CSA IS + XP Class I Division 1, Groups A – D	PMP71, PMP75	- 4 to 20 mA HART - PROFIBUS PA, FOUNDATION Fieldbus	- ZD154P + ZD187P - ZD190P + ZD191P	E
CSA +XP Class I Division 1, Groups B – D, Class II Division 1, Groups E – G, Class III	PMP71, PMP75	- 4 to 20 mA HART - PROFIBUS PA, FOUNDATION Fieldbus	- Under development	-

**Overfill protection**

- WHG: ZE260P/00/DE



**Instruments International**

Endress+Hauser  
Instruments International AG  
Kaegenstrasse 2  
4153 Reinach  
Switzerland

Tel. +41 61 715 81 00  
Fax +41 61 715 25 00  
[www.endress.com](http://www.endress.com)  
[info@ii.endress.com](mailto:info@ii.endress.com)

**Endress+Hauser**   
People for Process Automation

