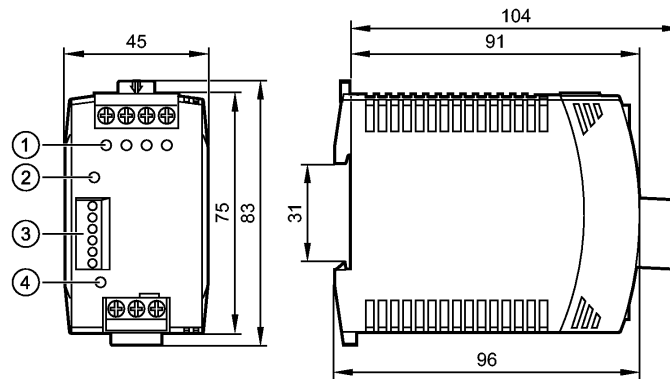


DN0301

PSU-FUSE MODULE/24VDC/4x2A

Evaluation systems, power supplies



- 1: Fault LEDs
- 2: Reset and ON/OFF button
- 3: Signal connector
- 4: Status LED



Product characteristics

Protection module	
Protection of 4 load circuits	
Active current limitation if there is a system overload	
Remote reset by control signal	
Parallel operation of several protection modules possible	
Outputs comply with NEC Class II	

Application

Application	Ensures uninterrupted minimum voltage supply for sensitive consumers and electronic fuse for circuit protection
-------------	---

Electrical data

Input voltage range	[V]	18...30 DC
Nominal voltage	[V]	24 DC
Output current	[A]	4 x 2
Reverse polarity protection		no
Protection class		III
Input current	[A]	8
Input voltage required for switching on the outputs	[V]	21.4
Closed-circuit current	[mA]	43
Power loss	[W]	1.3; at 4 x 1 A output current
Power loss in open-circuit operation	[W]	1.0
Back feeding protection	[V]	30

Outputs

Activation of the input voltage protection level	[V]	21.4
Output current per output	[A]	2
Output current total	[A]	8
Output current limitation	[A]	10.7
Voltage drop between input and output	[mV]	83
Load capacitance per output	[mF]	94



DN0301

PSU-FUSE MODULE/24VDC/4x2A

Evaluation systems, power supplies

Load capacitance, total [mF]	124
Parallel connection of outputs	no

Reaction times

switch-on delay of the outputs [ms]	270
switch-off times at 2x nominal current [s]	1; at 4 A
Tripping times in case of short circuits [ms]	30; at 12.4 A

Environment

Ambient temperature [°C]	-25...70
Storage temperature [°C]	-40...85
Max. relative air humidity [%]	95, non condensing
Protection	IP 20
Degree of soiling	2

Tests / approvals

EMC	EN 61000-4-2 ESD: 8 kV CD / 8 kV AD EN 61000-4-3 HF radiated: 10 V/m (80...2700 MHz) EN 61000-4-4 Burst: 2 kV EN 61000-4-5 Surge: 0.5 kV EN 61000-4-6 HF conducted: 10 V (0.15...80 MHz)
Shock resistance	IEC 60068-2-27: 30 g (6 ms) / 20 g (11 ms)
Vibration resistance	IEC 60028-2-6 2 g (17.8...500 Hz)

Mechanical data

Housing materials	polycarbonate
Installation	rail TH35 (to EN 60715)
Weight [kg]	0.203

Displays / operating elements

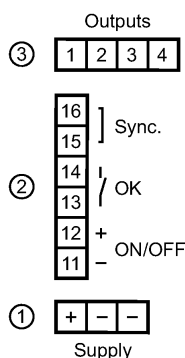
Display	Output overload 4 LED red Power supply 1 LED green
---------	---

Electrical connection

Connection	signal cables 0.25...1.5 mm ² (AWG 24...16); Supply cables 0.25...6 mm ² (AWG 20...10)
------------	--

Wiring

- 1: Power supply 24 V DC
- 2: signal cables
 - 15/16 Synchronisation of several modules
 - 13/14 Signal output
 - 11/12 Reset
- 3: Outputs 1...4



Accessories

Accessories (included)	Pluggable screw terminal for signal wires; 6 poles
------------------------	--

Remarks

Pack quantity [piece]	1
-----------------------	---



DN0301

PSU-FUSE MODULE/24VDC/4x2A

Evaluation systems, power supplies