

DN1021

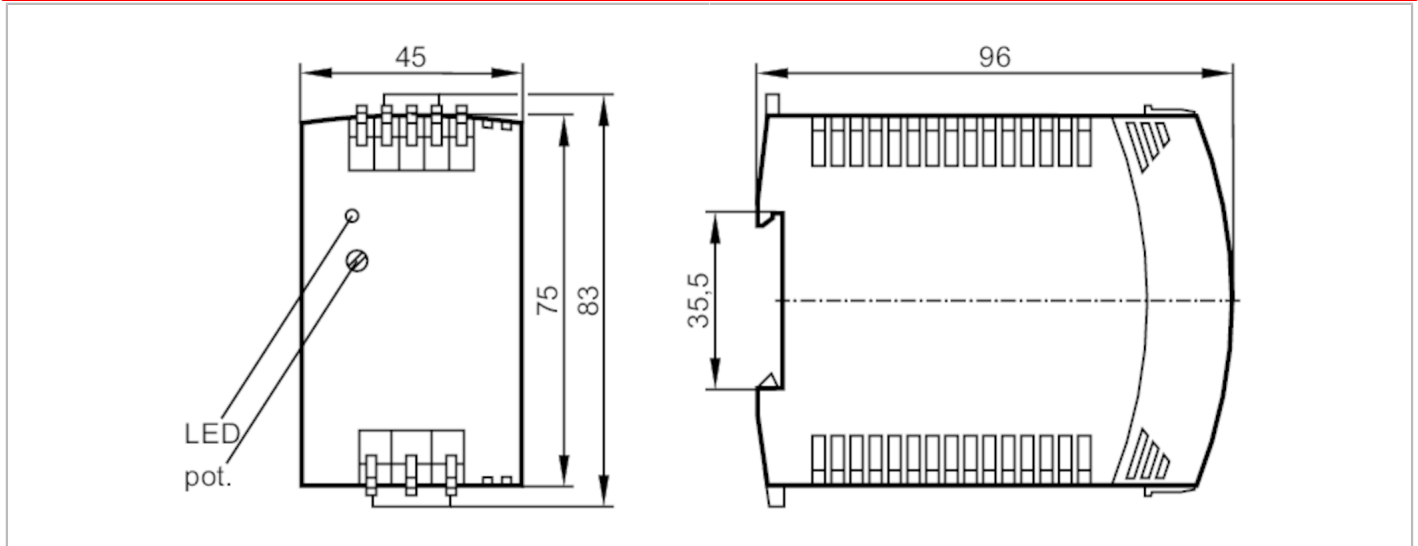


Switched-mode power supply 24 V DC

POWER SUPPLY/24VDC/2,1A

Article no longer available - archive entry

replaced by: DN1031



Electrical data		
Nominal voltage AC	[V]	< 230
Nominal frequency AC	[Hz]	50...60
Input voltage AC	[V]	100...240
Output voltage DC	[V]	24...28
Protection class		I; (IEC 61140)
Output voltage	[V]	adjustable
Output voltage tolerance	[%]	2
Max. output current at min. output voltage	[A]	2.1
Number of output circuits		1
Max. residual ripple	[mV]	50
Efficiency (nominal voltage 230 V AC / 50 Hz)	[%]	88.5
Derating	[W/K]	1 (60...70 °C)
Mains buffering time (nominal voltage 230 V AC / 50 Hz)	[ms]	171
Outputs		
Short-circuit protection		yes
Overload protection		yes
Reliability of the DC OK signal		24 V DC (30 mA)
Operating conditions		
Ambient temperature	[°C]	-10...70
Protection		IP 20

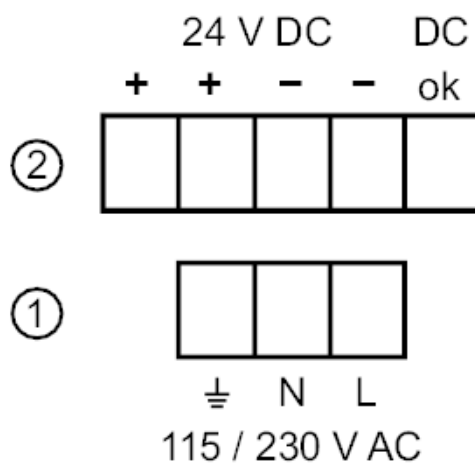
DN1021



Switched-mode power supply 24 V DC

POWER SUPPLY/24VDC/2,1A

Tests / approvals		
EMC	EN 61000-6-2	
	EN 61000-6-3	
MTTF	[years]	298
Mechanical data		
Weight	[g]	332.4
Type of mounting		rail; (TH35 (EN 60715))
Dimensions	[mm]	45 x 83 x 96
Material		PC
Displays / operating elements		
Display	Function	LED, green
Remarks		
Pack quantity		1 pcs.
Electrical connection		
spring clamp terminals: ...2.5 mm ²		
Connection		



- 1 primary
- 2 secondary

Article no longer available - archive entry

replaced by: DN1031