

DX2003

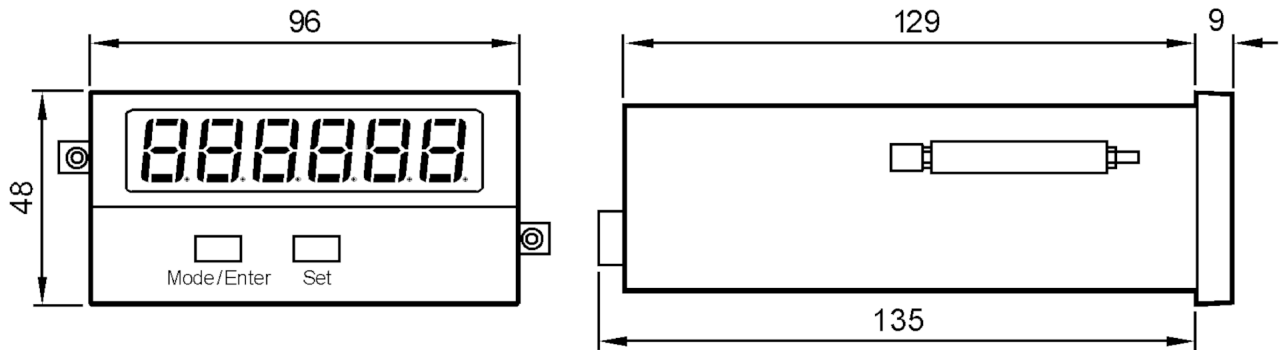


Multifunction display for monitoring revolution, speed and time

DISPLAY/FX360/PNP OUT

Article no longer available - archive entry

replaced by: DX2023; Discontinued article – Discontinuation date: 31.03.2017



Application

Application

universal evaluation and display for all physical units which can be derived from pulse sequences

Electrical data

Frequency AC	[Hz]	50...60
Operating voltage tolerance	[%]	33...58
Operating voltage	[V]	230 / 115 AC / 24 DC
Current consumption	[mA]	120 (18 V); 95 (24 V); 80 (30 V)
Auxiliary energy for sensors DC	[V]	24; ($\pm 15\%$, 150 mA)

Monitoring range

Sensing range adjustable	no
--------------------------	----

Operating conditions

Ambient temperature	[°C]	0...45
Storage temperature	[°C]	-25...75
Protection		IP 65; (on the front)
Protection rating terminals		IP 20

Tests / approvals

EMC		EN 50081-1
		EN 61000-6-2
MTTF	[years]	84

DX2003



Multifunction display for monitoring revolution, speed and time

DISPLAY/FX360/PNP OUT

Mechanical data

Weight	[g]	575.4
Material		Noryl UL94-V-0

Displays / operating elements

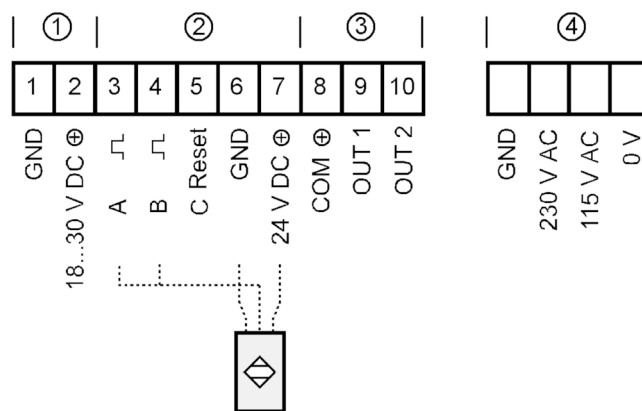
Display	7-segment LED display, orange 6-digit 15 mm
---------	---

Electrical connection

screw terminals, DC: 10 x ...1.5 mm²

screw terminals, AC: 4 x ...2.5 mm²

Connection



Article no longer available - archive entry

replaced by: DX2023; Discontinued article – Discontinuation date: 31.03.2017