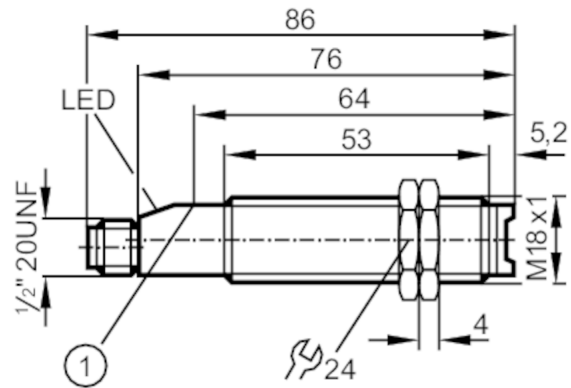




Through-beam sensor receiver

OGE-DBOA/LS-100-AK



1 pushbutton



Product characteristics

Type of light	Infrared light
Housing	Threaded type
Dimensions [mm]	M18 x 1 / L = 76

Application

Function principle	Through-beam sensor
--------------------	---------------------

Electrical data

Frequency AC [Hz]	47...63
Operating voltage [V]	20...250 AC/DC
Protection class	II
Reverse polarity protection	no
Type of light	Infrared light
Wave length [nm]	880

Outputs

Output function	dark-on mode
Max. voltage drop switching output DC [V]	8
Max. voltage drop switching output AC [V]	8
Minimum load current [mA]	5
Max. leakage current [mA]	1.7
Permanent current rating of switching output AC [mA]	90; (180 (...40 °C))
Permanent current rating of switching output DC [mA]	90; (180 (...40 °C))
Short-time current rating of switching output [mA]	600; (20 ms / 0,5 Hz)
Switching frequency AC [Hz]	25
Switching frequency DC [Hz]	25
Short-circuit proof	no
Overload protection	no

OG0039



Through-beam sensor receiver

OGE-DBOA/LS-100-AK

Monitoring range		
Transmitter / receiver		receiver
Range [m]		< 15
Range adjustable		yes
Operating conditions		
Ambient temperature [°C]		-25...80
Protection		IP 67
Tests / approvals		
EMC	EN 60947-5-2	
	EN 55011	class B
MTTF [years]		334
Mechanical data		
Weight [g]		38.8
Housing		Threaded type
Dimensions [mm]		M18 x 1 / L = 76
Thread designation		M18 x 1
Material		PBT
Lens material		PMMA
Displays / operating elements		
Display	Switching status	1 x LED, red
	Function	1 x LED, red flashing
Electrical connection		
Required protection	miniature fuse to IEC60127-2 sheet 1; ≤ 2 A; fast acting	
Accessories		
Items supplied	lock nuts: 2 x	
Remarks		
Remarks	Recommendation: check the unit for reliable function after a short circuit.	
Pack quantity	1 pcs.	

Electrical connection

Connector: 1 x 1/2"

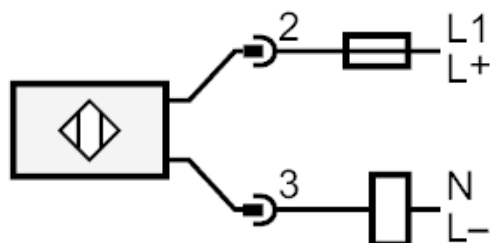




Through-beam sensor receiver

OGE-DBOA/LS-100-AK

Connection



Note : miniature fuse to IEC60127-2 sheet 1 ≤ 2 A fast acting

Diagrams and graphs

excess gain graph

