

OW1013



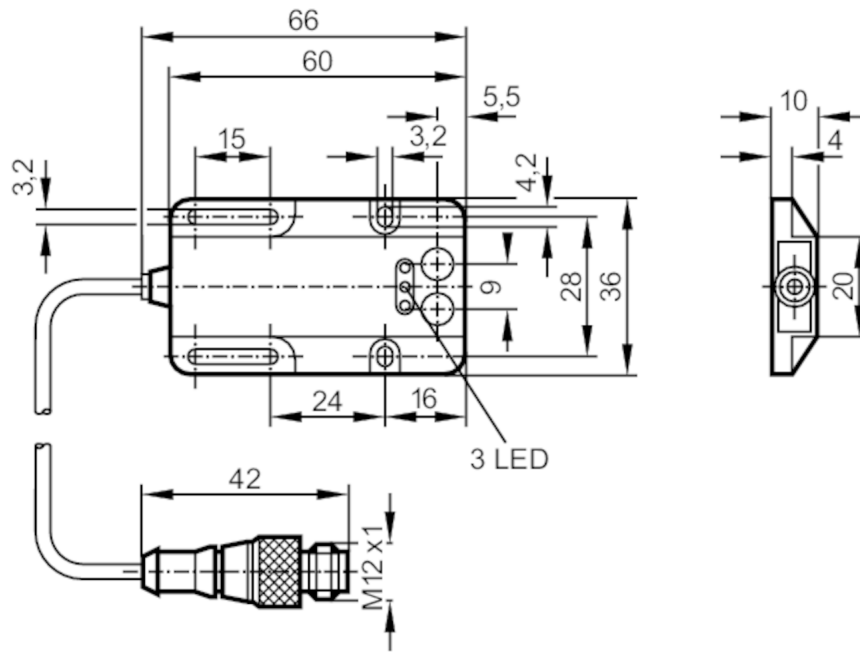
Through-beam sensor transmitter

OWS-00KG/0,1M/US

Article no longer available - archive entry

Alternative articles: OJ5065

When selecting an alternative article and accessories please note that technical data may differ!



transmitter in lower lens

Product characteristics

Type of light	red light
Housing	rectangular
Dimensions [mm]	36 x 60 x 10

Application

Function principle	Through-beam sensor
--------------------	---------------------

Electrical data

Operating voltage [V]	10...36 DC
Current consumption [mA]	15; ((36 V))
Reverse polarity protection	yes
Type of light	red light
Wave length [nm]	660

Outputs

Overload protection	yes
---------------------	-----

Monitoring range

Transmitter / receiver	transmitter
Range [m]	< 4
Max. light spot diameter [mm]	320
Light spot dimensions refer to	at maximum range

OW1013



Through-beam sensor transmitter

OWS-00KG/0,1M/US

Operating conditions

Ambient temperature	[°C]	-25...60
Protection		IP 67

Tests / approvals

EMC		EN 60947-5-2	
		EN 55011	class B
MTTF	[years]	1502	

Mechanical data

Weight	[g]	0.026
Housing		rectangular
Dimensions	[mm]	36 x 60 x 10
Material		ABS reinforced glass-fibre
Lens material		PMMA

Displays / operating elements

Display	Power	1 x LED, green
---------	-------	----------------

Remarks

Pack quantity	1 pcs.
---------------	--------

Electrical connection

Cable: 0.1 m, PVC

Connector: 1 x M12



Connection

