



Electronic Pressure Switch EDS 300

Description:

The EDS 300 is a compact, electronic pressure switch with integral digital display.

Four different output models are available: with one switching point, with two switching points and both models can also have an additional analogue output signal 4 .. 20 mA.

The switching points and the associated hystereses can be adjusted using the keypad. For optimum adaptation to a particular application, the instrument has many additional adjustment parameters, e.g. switching delay times, N/O / N/C function of the outputs.

The main applications of the EDS 300 are to indicate pressures and limits in hydraulics and pneumatics and anywhere where high switching frequency or constant switching accuracy would overburden a mechanical pressure switch. The unit is ideal for building accumulator charging circuits or pump and compressor controls.

Special features:

- Integrated pressure sensor with thin-film strain gauge on stainless steel membrane
- Compact, robust construction
- Accuracy $\leq \pm 1\%$ FS
- 3-digit digital display
- Easy to operate thanks to key programming
- Switching points and switch-back hystereses can be adjusted independently
- Window function
- Many useful additional functions

Technical data:

Input data

Measuring ranges	16; 40; 100; 250; 400; 600 bar
Overload pressures	32; 80; 200; 500; 800; 1000 bar
Burst pressures	200; 200; 500; 1000; 2000; 2000 bar
Mechanical connection	G1/4 A DIN 3852
Torque value	20 Nm
Parts in contact with medium	Mech. conn.: Stainless steel Seal: FPM

Output data

Accuracy to DIN 16086, Max. setting (display, analogue output)	$\leq \pm 0.5\%$ FS typ. $\leq \pm 1\%$ FS max.
Repeatability	$\leq \pm 0.5\%$ FS max.
Temperature drift	$\leq \pm 0.03\%$ FS / °C max. zero point $\leq \pm 0.03\%$ FS / °C max. range

Analogue output (optional)

Signal	4 .. 20 mA	load resistance $\leq 400 \Omega$
--------	------------	-----------------------------------

Switch outputs

Type	PNP transistor output
Switching current	max. 1.2 A per switch output
Switching cycles	> 100 million
Reaction time	approx. 10 ms

Environmental conditions

Compensation temperature range	-10 .. +70 °C
Operating temperature range	-25 .. +80 °C
Storage temperature range	-40 .. +80 °C
Fluid temperature range	-25 .. +80 °C

CE mark	EN 61000-6-1 / 2 / 3 / 4
---------	--------------------------

Vibration resistance to DIN EN 60068-2-6 at 10 .. 500 Hz	≤ 10 g
---	-------------

Shock resistance to DIN EN 60068-2-29 (11 ms)	≤ 50 g
--	-------------

Protection class to IEC 60529	IP 65
-------------------------------	-------

Other data	
------------	--

Supply voltage	20 .. 32 V DC
----------------	---------------

Current consumption	approx. 100 mA (inactive switch output)
---------------------	---

Display	3-digit, LED, 7 segment, red, height of digits 9.2 mm
---------	--

Weight	~ 300 g
--------	---------

Note:	Reverse polarity protection of the supply voltage, excess voltage, override and short circuit protection are provided.
-------	--

	FS (Full Scale) = relative to complete measuring range
--	--

Setting options:

All settings available on the EDS 300 are grouped in 2 easy-to-navigate menus. In order to prevent unauthorised adjustment of the device, a programming lock can be set.

Setting ranges for the switch outputs:

Switching point function

Meas. range in bar	Switch point in bar	Hysteresis in bar	Increment* in bar
0 .. 16	0.3 .. 16	0.1 .. 15.8	0.1
0 .. 40	0.6 .. 40	0.2 .. 39.6	0.2
0 .. 100	1.5 .. 100	0.5 .. 99.0	0.5
0 .. 250	3.0 .. 250	1.0 .. 248	1.0
0 .. 400	6.0 .. 400	2.0 .. 396	2.0
0 .. 600	15.0 .. 600	5.0 .. 590	5.0

Window function

Meas. range in bar	Lower switch value in bar	Upper switch value in bar	Increment* in bar
0 .. 16	0.2 .. 15.9	0.3 .. 16	0.1
0 .. 40	0.4 .. 39.8	0.6 .. 40	0.2
0 .. 100	1.0 .. 99.5	1.5 .. 100	0.5
0 .. 250	2.0 .. 249.0	3.0 .. 250	1.0
0 .. 400	4.0 .. 398.0	6.0 .. 400	2.0
0 .. 600	10.0 .. 595.0	15.0 .. 600	5.0

* All ranges given in the table are adjustable by the increments shown.

Additional functions:

- Switching mode of the switching outputs adjustable (switching point function or window function)
- Switching direction of the switching outputs adjustable (N/C or N/O function)
- Switch-on and switch-off delay adjustable from 0.0 .. 75.0 seconds
- Choice of display (actual pressure, peak value, switch point 1, switch point 2, display off)
- Display filter for smoothing the display value during pressure pulsations
- Analogue output signal selectable 4 .. 20 mA
- Subsequent correction of zero point in the range $\pm 3\%$ FS possible

Model code:

EDS 3 4 X - X - XXX - 000

Mechanical connection

4 = G1/4 A DIN 3852 (male)

Electrical connection

- 4 = Male 4 pole Binder series 714 M18 only possible on output models "2" and "3" (connector not supplied)
- 5 = Male 3 pole + PE, EN175301-803 (DIN 43650) only possible on output model "1" (connector supplied)
- 6 = Male M12x1, 4 pole only possible on output models "1", "2" and "3" (connector not supplied)
- 8 = Male M12x1, 5 pole only possible on output model "5" (connector not supplied)

Output

- 1 = 1 switching output only in conjunction with electrical connection type "5" or "6"
- 2 = 2 switching outputs only in conjunction with electrical connection "4" or "6"
- 3 = 1 switching output and 1 analogue output only in conjunction with electrical connection type "4" or "6"
- 5 = 2 switching outputs and 1 analogue output only in conjunction with electrical connection type "8"

Pressure ranges in bar

016; 040; 100; 250; 400; 600

Modification number

000 = Standard

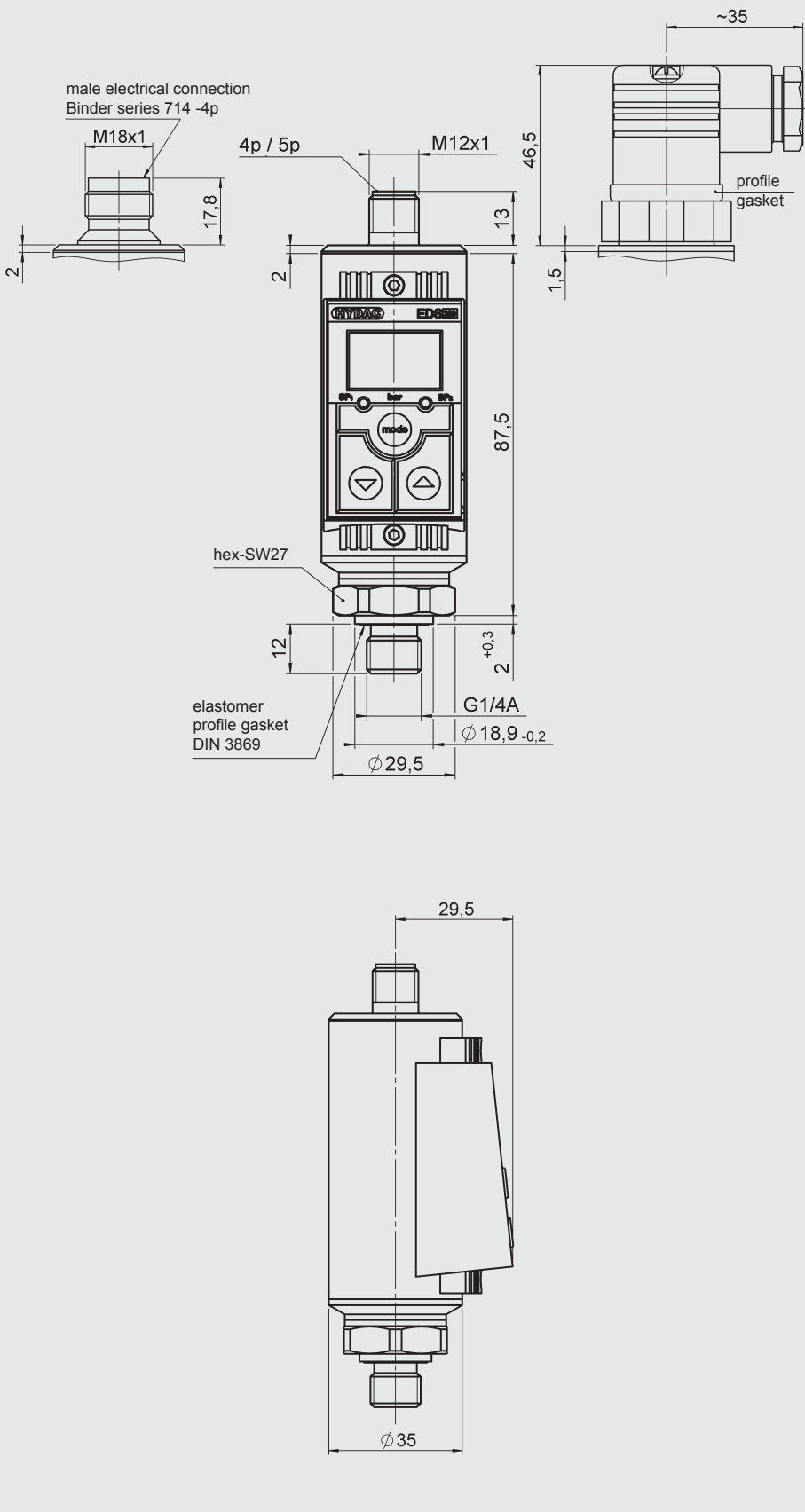
Notes:

Special models on request.
For instruments with a different modification number, please read the label or the technical amendment details supplied with the instrument.

Accessories:

Appropriate accessories, such as electrical connectors, mechanical adapters, splash guards, clamps for wall-mounting etc can be found in the Accessories brochure.

Dimensions:



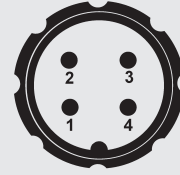
Note:

The information in this brochure relates to the operating conditions and applications described. For applications or operating conditions not described, please contact the relevant technical department. Subject to technical modifications.

HYDAC ELECTRONIC GMBH
 Hauptstraße 27, D-66128 Saarbrücken
 Telephone +49 (0)6897 509-01
 Fax +49 (0)6897 509-1726
 E-mail: electronic@hydac.com
 Internet: www.hydac.com

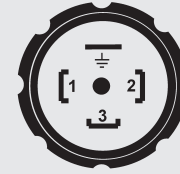
Pin connections:

Binder series 714 M18



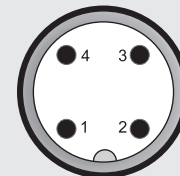
Pin	EDS 344-2	EDS 344-3
1	+U _B	+U _B
2	0 V	0 V
3	SP 1	SP 1
4	SP 2	Analogue

EN175301-803 (DIN 43650)



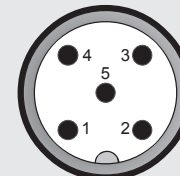
Pin	EDS 345-1
1	+U _B
2	0 V
3	SP 1
⊥	Housing

M12x1, 4 pole



Pin	EDS 346-1	EDS 346-2	EDS 346-3
1	+U _B	+U _B	+U _B
2	n.c.	SP 2	Analogue
3	0 V	0 V	0 V
4	SP 1	SP 1	SP 1

M12x1, 5 pole



Pin	EDS 348-5
1	+U _B
2	Analogue
3	0 V
4	SP 1
5	SP 2

