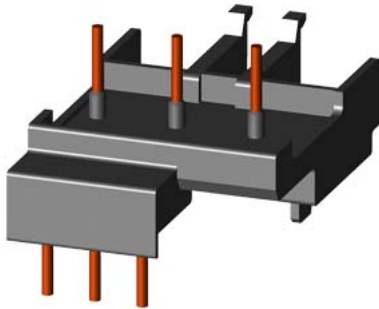


Link module Electrical and mechanical for 3RV2.1/3RV2.2 and 3RT2.1 AC and DC operation (individual unit packaging)



**General technical data**

product brand name		SIRIUS
product designation		link module
design of the product		for 3RV1.2 and 3RT101, for 3RV2.1/3RV2.2 and 3RT2.1
size of the circuit-breaker		S00, S0
size of contactor		S00

**Certificates/ approvals**

General Product Approval	Declaration of Conformity	Test Certificates	Shipping Approval
--------------------------	---------------------------	-------------------	-------------------



[Miscellaneous](#)

[Special Test Certificate](#)

[Type Test Certificates/Test Report](#)



Shipping Approval	other
-------------------	-------



[Confirmation](#)

**Further information**

Information- and Downloadcenter (Catalogs, Brochures,...)

<https://www.siemens.com/ic10>

Industry Mall (Online ordering system)

<https://mall.industry.siemens.com/mall/en/en/Catalog/product?mlfb=3RA1921-1DA00>

Cax online generator

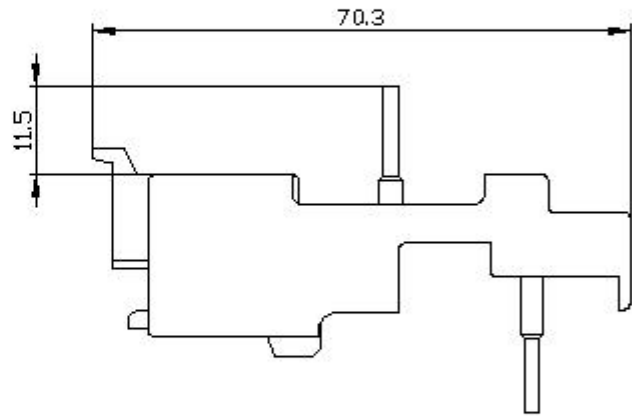
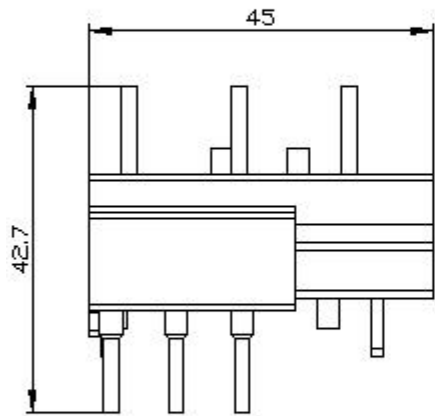
<http://support.automation.siemens.com/WW/CAXorder/default.aspx?lang=en&mlfb=3RA1921-1DA00>

Service&Support (Manuals, Certificates, Characteristics, FAQs,...)

<https://support.industry.siemens.com/cs/ww/en/ps/3RA1921-1DA00>

Image database (product images, 2D dimension drawings, 3D models, device circuit diagrams, EPLAN macros, ...)

[http://www.automation.siemens.com/bilddb/cax\\_de.aspx?mlfb=3RA1921-1DA00&lang=en](http://www.automation.siemens.com/bilddb/cax_de.aspx?mlfb=3RA1921-1DA00&lang=en)



last modified:

1/17/2021 