

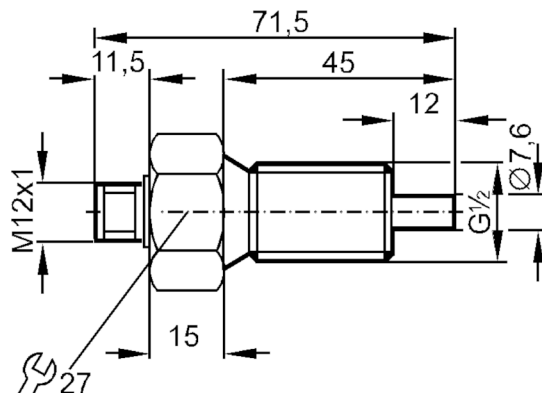
# ST3004



## Flow sensor for connection to an evaluation unit

STR12ABA/US-100-H

Article no longer available - archive entry



### Product characteristics

Process connection G 1/2 external thread

### Application

Application high temperature

Media Liquids; Gases

Medium temperature [°C] -25...80

Pressure rating [bar] 30

### Liquids

Application high temperature

Medium temperature [°C] -25...80

### Gases

Medium temperature [°C] -25...80

### Electrical data

Connection to control monitor VS 0100

### Measuring/setting range

#### Liquids

Setting range [cm/s] 3...300

Greatest sensitivity [cm/s] 3...60

#### Gases

Setting range [cm/s] 5...15

### Accuracy / deviations

Max. temperature gradient of medium [K/min] 15

# ST3004



## Flow sensor for connection to an evaluation unit

STR12ABA/US-100-H

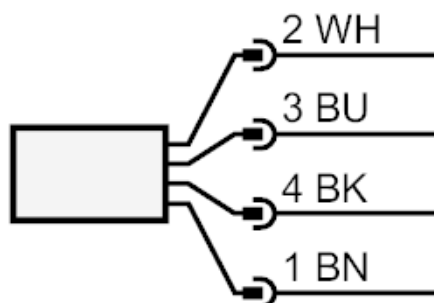
Reaction times	
Response time [s]	1...10
Liquids	
Response time [s]	1...10
Gases	
Response time [s]	1...10
Operating conditions	
Protection	IP 67
Mechanical data	
Housing	Threaded type
Material	stainless steel (1.4305 / 303)
Process connection	G 1/2 external thread
Remarks	
Pack quantity	1 pcs.

### Electrical connection

Connector: 1 x M12; Maximum cable length: 100 m



### Connection



Core colors :

- BN = brown
- WH = white
- YE = yellow
- GN = green