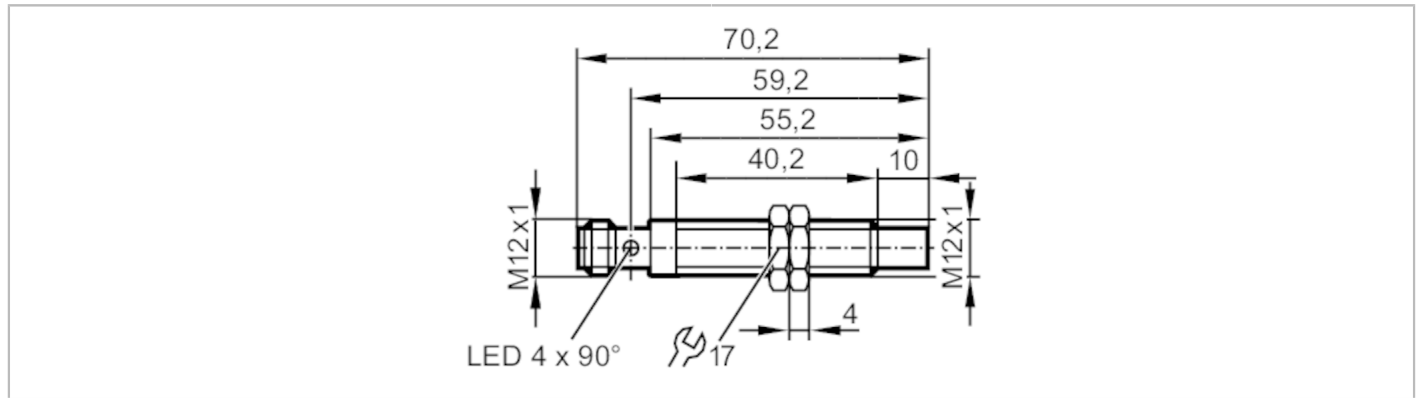


IF505A



Inductive full-metal sensor

IFK3006-BPKG/AM/P/US104/3G/3D



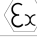


Application		
Pressure rating	[bar]	100
Note on pressure rating		sensing face
Electrical data		
Operating voltage	[V]	10...36 DC
Current consumption	[mA]	< 25
Protection class		III; (PELV)
Reverse polarity protection		yes
Outputs		
Electrical design		PNP
Output function		normally open
Max. voltage drop switching output DC	[V]	2.5
Max. leakage current	[mA]	0.1
Permanent current rating of switching output DC	[mA]	100
Switching frequency DC	[Hz]	500
Short-circuit protection		yes
Type of short-circuit protection		pulsed
Overload protection		yes
Detection zone		
Sensing range	[mm]	6
Real sensing range Sr	[mm]	6 ± 10 %
Operating distance	[mm]	0...4.9
Increased sensing range		yes
Accuracy / deviations		
Correction factor		steel: 1 / stainless steel: 1 / brass: 0.9 / aluminium: 0.75 / copper: 0.6
Hysteresis	[% of Sr]	1...20
Switch point drift	[% of Sr]	-10...10

IF505A



Inductive full-metal sensor

IFK3006-BPKG/AM/PI/US104/3G/3D

Operating conditions		
Ambient temperature	[°C]	-40...60
Protection		IP 67; (when used outside the hazardous area: IP 65, IP 67, IP 68, IP 69K)
Tests / approvals		
ATEX marking		 II 3G Ex nA IIC T4 Gc X
		 II 3D Ex tc IIIC T95°C Dc IP67 X
EMC	EN 61000-4-2 ESD	4 kV CD / 8 kV AD
	EN 61000-4-3 HF radiated	10 V/m
	EN 61000-4-4 Burst	2 kV
	EN 61000-4-6 HF conducted	10 V
	EN 55011 emission	class B
MTTF	[years]	808
Mechanical data		
Weight	[g]	54.4
Housing		threaded type
Mounting		non-flush mountable
Dimensions	[mm]	M12 x 1 / L = 70.2
Thread designation		M12 x 1
Materials		stainless steel (1.4301 / 304); stainless steel (1.4404 / 316L); PEI; lock nuts: brass
Full-metal housing		yes
Displays / operating elements		
Display	switching status	4 x 90° LED, yellow
Accessories		
Accessories (supplied)		lock nuts: 2
Remarks		
Remarks		To maintain the EMC data: Equalise potential by connecting the sensor housing to the machine earth.
Pack quantity		1 pcs.
Electrical connection - plug		
Connector: 1 x M12; Contacts: gold-plated		
		

IF505A



Inductive full-metal sensor

IFK3006-BPKG/AM/PI/US104/3G/3D

Connection



Diagrams and graphs

Installation

