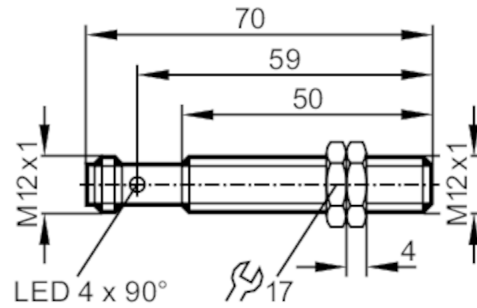


IFC210



Inductive sensor

IFKC004BASKG/M/US-104-DRS/2LED



Product characteristics

| | | |
|-------------------|------|------------------|
| Electrical design | | PNP/NPN |
| Output function | | normally open |
| Sensing range | [mm] | 4 |
| Housing | | Threaded type |
| Dimensions | [mm] | M12 x 1 / L = 70 |

Application

| | | |
|-------------|--|--------------------------------------------------------------------|
| System | | gold-plated contacts; Increased sensing range; optical setting aid |
| Application | | Oils and coolants |

Electrical data

| | | |
|-----------------------------|------|------------|
| Operating voltage | [V] | 10...30 DC |
| Current consumption | [mA] | 12; (24 V) |
| Protection class | | II |
| Reverse polarity protection | | yes |

Outputs

| | | |
|-------------------------------------------------|------|---------------------------------|
| Electrical design | | PNP/NPN |
| Output function | | normally open |
| Max. voltage drop switching output DC | [V] | 2.8 |
| Minimum load current | [mA] | 2; (only in 2-wire operation) |
| Max. leakage current | [mA] | 0.5; (only in 2-wire operation) |
| Permanent current rating of switching output DC | [mA] | 100 |
| Switching frequency DC | [Hz] | 500 |
| Short-circuit protection | | yes |
| Type of short-circuit protection | | yes (non-latching) |
| Overload protection | | yes |

IFC210



Inductive sensor

IFKC004BASKG/M/US-104-DRS/2LED

| Monitoring range | | |
|------------------------------------------------------|---------------------------|----------------------------------------------------------------------------|
| Sensing range | [mm] | 4 |
| Real sensing range Sr | [mm] | 4 ± 10 % |
| Operating distance | [mm] | 0...3.25 |
| Increased sensing range | | yes |
| Accuracy / deviations | | |
| Correction factor | | steel: 1 / stainless steel: 0.7 / brass: 0.5 / aluminum: 0.4 / copper: 0.3 |
| Hysteresis | [% of Sr] | 3...15 |
| Switch-point drift | [% of Sr] | -10...10 |
| Operating conditions | | |
| Ambient temperature | [°C] | -25...70 |
| Protection | | IP 68; ("Coolant") |
| Tests / approvals | | |
| EMC | EN 61000-4-2 ESD | 4 kV CD / 8 kV AD |
| | EN 61000-4-3 HF radiated | 10 V/m |
| | EN 61000-4-4 Burst | 2 kV |
| | EN 61000-4-6 HF conducted | 10 V |
| | EN 55011 | class B |
| UL approval | Ta | 0...40 °C |
| | Enclosure type | Type 1 |
| | voltage supply | Hazardous voltage |
| | File number UL | E174191 |
| Mechanical data | | |
| Weight | [g] | 33.6 |
| Housing | | Threaded type |
| Mounting | | flush mountable |
| Dimensions | [mm] | M12 x 1 / L = 70 |
| Thread designation | | M12 x 1 |
| Material | | brass white bronze coated; sensing face: ceramics |
| Displays / operating elements | | |
| Display | Switching status | 4 x 90° LED, yellow |
| | Setting aid | 1 x LED, red |
| Optical setting aid | | yes |
| Accessories | | |
| Items supplied | | lock nuts: 2 |
| Remarks | | |
| Remarks | | suitable for PLC type 1 according to IEC 61131-2 |
| Pack quantity | | 1 pcs. |
| Electrical connection - plug | | |
| Connector: 1 x M12; coding: A; Contacts: gold-plated | | |

IFC210



Inductive sensor

IFKC004BASKG/M/US-104-DRS/2LED

