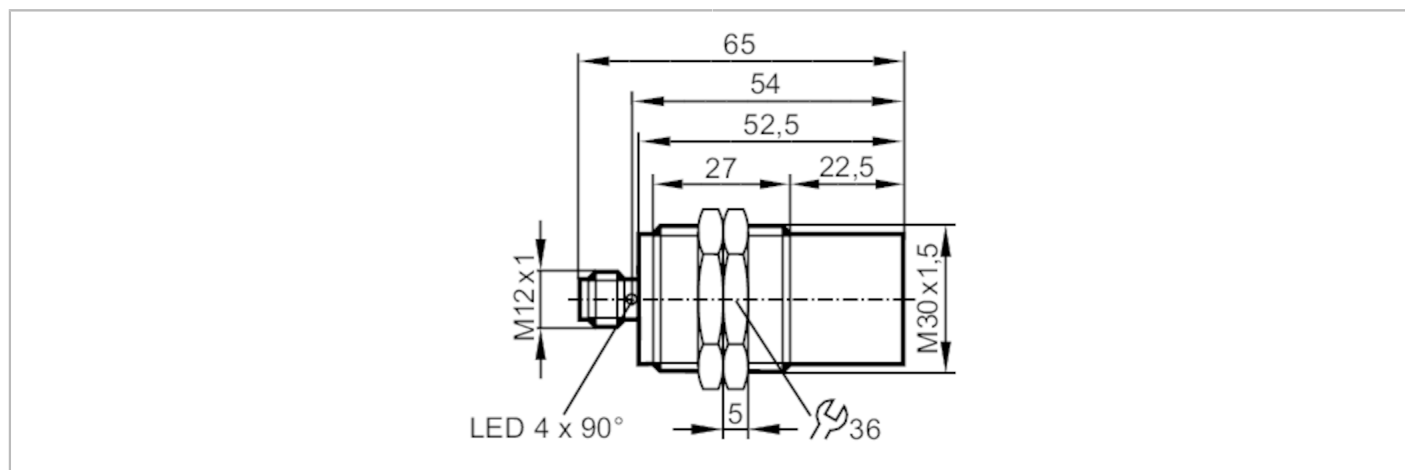




## Inductive full-metal sensor

IIK3025-BPKG/AM/P/US



Product characteristics	
Electrical design	PNP
Output function	normally open
Sensing range [mm]	25
Housing	Threaded type
Dimensions [mm]	M30 x 1.5 / L = 65
Application	
System	gold-plated contacts; Increased sensing range; Full-metal housing
Application	constant cleaning with aggressive cleaning agents; regular cleaning processes
Pressure rating [bar]	100
Note on pressure rating	sensing face
Electrical data	
Operating voltage [V]	10...30 DC
Current consumption [mA]	< 25
Protection class	III
Reverse polarity protection	yes
Outputs	
Electrical design	PNP
Output function	normally open
Max. voltage drop switching output DC [V]	2.5
Permanent current rating of switching output DC [mA]	100
Switching frequency DC [Hz]	100
Short-circuit protection	yes
Overload protection	yes

# IIT231



## Inductive full-metal sensor

IIK3025-BPKG/AM/P/US

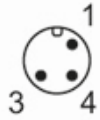
Monitoring range		
Sensing range	[mm]	25
Real sensing range Sr	[mm]	25 ± 10 %
Operating distance	[mm]	0...20.3
Increased sensing range		yes
Accuracy / deviations		
Correction factor		steel: 1 / stainless steel: 1 / brass: 0.9 / aluminum: 0.6 / copper: 0.5
Hysteresis	[% of Sr]	1...20
Switch-point drift	[% of Sr]	-10...10
Operating conditions		
Ambient temperature	[°C]	0...100
Protection		IP 65; IP 67; IP 68; IP 69K
Tests / approvals		
EMC	EN 61000-4-2 ESD	4 kV CD / 8 kV AD
	EN 61000-4-3 HF radiated	10 V/m
	EN 61000-4-4 Burst	2 kV
	EN 61000-4-6 HF conducted	10 V
	EN 55011 emission	class B
Impact resistance	EN 60068-2-75 Ehc	1 J
MTTF	[years]	1262
Embedded software included		yes
UL approval	Ta	0...70 °C
	Enclosure type	Type 1
	voltage supply	Limited Voltage/Current
	UL approval number	A012
	File number UL	E174191
Mechanical data		
Weight	[g]	165.043
Housing		Threaded type
Mounting		non-flush mountable
Dimensions	[mm]	M30 x 1.5 / L = 65
Thread designation		M30 x 1.5
Material		housing: stainless steel (1.4404 / 316L); sensing face: stainless steel (1.4404 / 316L); lock nuts: stainless steel (1.4404 / 316L)
Tightening torque	[Nm]	80
Full-metal housing		yes
Displays / operating elements		
Display	Switching status	4 x 90° LED, yellow
Accessories		
Items supplied		lock nuts: 2
Remarks		
Pack quantity		1 pcs.
Electrical connection - plug		
Connector: 1 x M12; coding: A; Contacts: gold-plated		

# IIT231



## Inductive full-metal sensor

IIK3025-BPKG/AM/P/US



### Connection



### Diagrams and graphs

