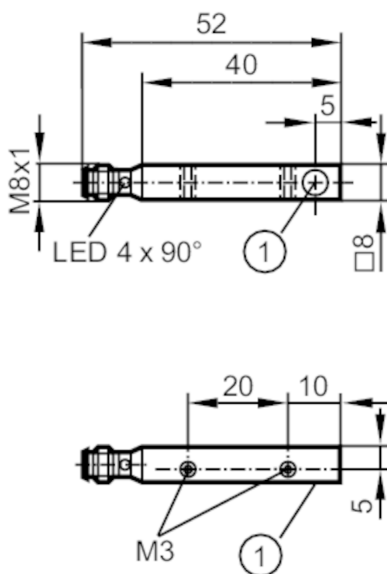


IL5004



Inductive sensor

ILA3002-BPKG/OBEN/AS-514TPS RT



1 sensing face



Product characteristics

Electrical design		PNP
Output function		normally open
Sensing range	[mm]	2
Housing		rectangular
Dimensions	[mm]	40 x 8 x 8

Electrical data

Operating voltage	[V]	10...36 DC
Current consumption	[mA]	15; (24 V)
Protection class		III
Reverse polarity protection		yes

Outputs


Electrical design		PNP
Output function		normally open
Max. voltage drop switching output DC	[V]	1.6
Permanent current rating of switching output DC	[mA]	250
Switching frequency DC	[Hz]	2000
Short-circuit protection		yes
Type of short-circuit protection		yes (non-latching)
Overload protection		yes

IL5004



Inductive sensor

ILA3002-BPKG/OBEN/AS-514TPS RT

Monitoring range		
Sensing range	[mm]	2
Real sensing range Sr	[mm]	2 ± 10 %
Operating distance	[mm]	0...1.6
Accuracy / deviations		
Correction factor		steel: 1 / stainless steel: 0.7 / brass: 0.4 / aluminum: 0.3 / copper: 0.2
Hysteresis	[% of Sr]	1...15
Switch-point drift	[% of Sr]	-10...10
Operating conditions		
Ambient temperature	[°C]	-25...70
Protection		IP 65
Tests / approvals		
EMC		EN 60947-5-2
MTTF	[years]	3449
UL approval	Ta	-25...70 °C
	Enclosure type	Type 1
	voltage supply	Limited Voltage/Current
	File number UL	E174191
Mechanical data		
Weight	[g]	13.3
Housing		rectangular
Mounting		flush mountable
Dimensions	[mm]	40 x 8 x 8
Material		brass white bronze coated; sensing face: LCP
Tightening torque	[Nm]	1; (insertion depth: > 5 mm)
Displays / operating elements		
Display	Switching status	1 x LED, red
Remarks		
Pack quantity		1 pcs.
Electrical connection - plug		
Connector: 1 x M8; coding: A		
		

IL5004



Inductive sensor

ILA3002-BPKG/OBEN/AS-514TPS RT

Connection

