

KG5001



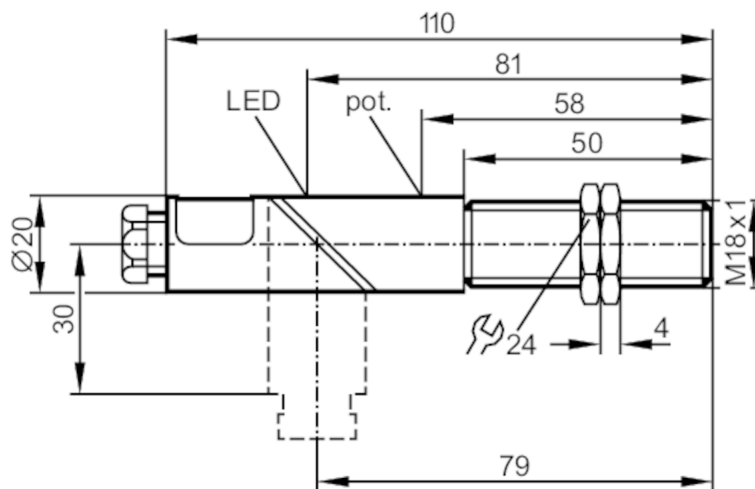
Capacitive sensor

KGE2008-FRKG

Article no longer available - archive entry

Alternative articles: KG5040

When selecting an alternative article and accessories please note that technical data may differ!



Product characteristics

Electrical design	PNP/NPN
Output function	normally open / closed; (selectable)
Sensing range [mm]	8
Housing	Threaded type
Dimensions [mm]	M18 x 1 / L = 110

Electrical data

Operating voltage [V]	10...55 DC
Protection class	II
Reverse polarity protection	yes

Outputs

Electrical design	PNP/NPN
Output function	normally open / closed; (selectable)
Max. voltage drop switching output DC [V]	4.6
Minimum load current [mA]	4
Max. leakage current [mA]	0.6
Permanent current rating of switching output DC [mA]	400
Switching frequency DC [Hz]	50
Short-circuit protection	yes
Type of short-circuit protection	yes (non-latching)
Overload protection	yes

KG5001



Capacitive sensor

KGE2008-FRKG

Monitoring range		
Sensing range	[mm]	8
Real sensing range Sr	[mm]	8 ± 10 %
Operating distance	[mm]	0...6.5
Accuracy / deviations		
Correction factor		glass: 0.4 / water: 1 / ceramics: 0.2 / PVC: 0.2
Hysteresis	[% of Sr]	1...15
Switch-point drift	[% of Sr]	-15...15
Operating conditions		
Ambient temperature	[°C]	-25...80
Protection		IP 65
Tests / approvals		
EMC		EN 60947-5-2
Mechanical data		
Housing		Threaded type
Mounting		non-flush mountable
Dimensions	[mm]	M18 x 1 / L = 110
Thread designation		M18 x 1
Material		PBT; end cap: PC
Displays / operating elements		
Display	Switching status	1 x LED, yellow
Accessories		
Items supplied		lock nuts: 2 screwdriver: 1
Remarks		
Pack quantity		1 pcs.
Electrical connection		
terminals: ...2.5 mm ² ; Cable sheath: Ø 4.5...10 mm; Cable gland: M16 X 1.5		
Connection		

