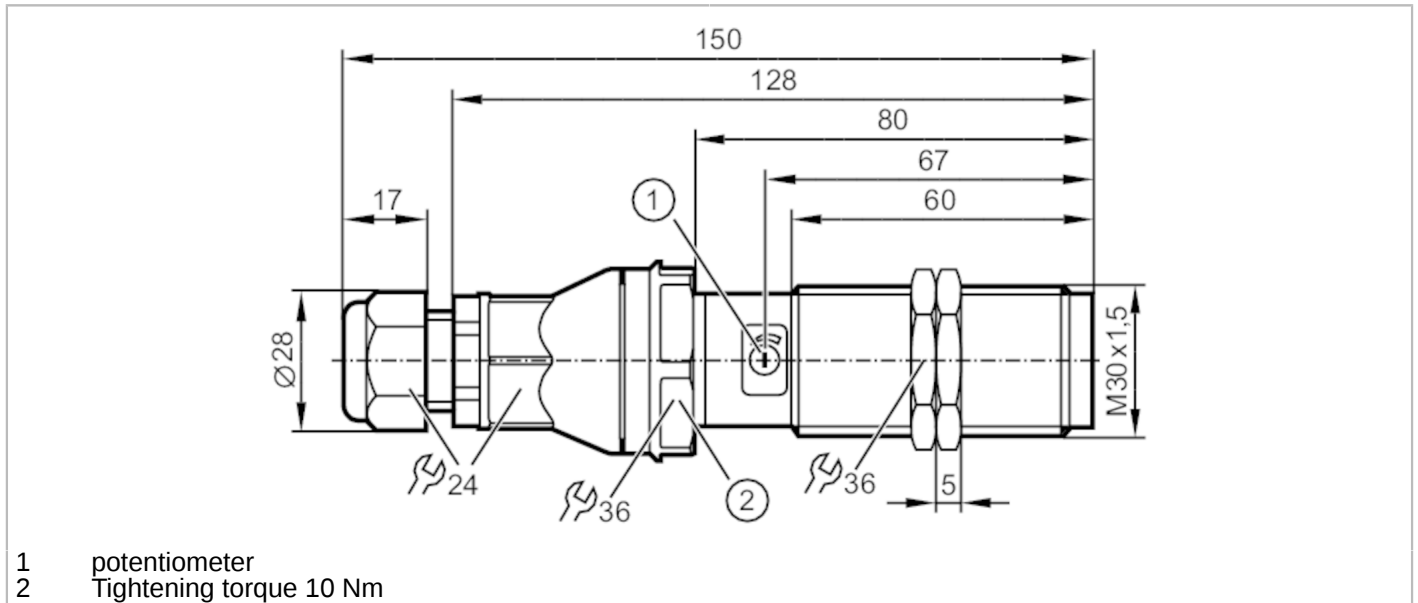


KI503A



Capacitive sensor

KIE4150NCPKG/3D



| Product characteristics | |
|--|---------------------|
| Electrical design | PNP |
| Output function | complementary |
| Sensing range [mm] | 15 |
| Housing | Threaded type |
| Dimensions [mm] | M30 x 1.5 / L = 150 |
| Electrical data | |
| Operating voltage [V] | 10...30 DC |
| Current consumption [mA] | < 20 |
| Protection class | III |
| Reverse polarity protection | yes |
| Measuring principle | capacitive |
| Outputs | |
| Electrical design | PNP |
| Output function | complementary |
| Max. voltage drop switching output DC [V] | 2.5 |
| Max. leakage current [mA] | 0.1 |
| Permanent current rating of switching output DC [mA] | 200 |
| Switching frequency DC [Hz] | 10 |
| Short-circuit protection | yes |
| Type of short-circuit protection | yes (non-latching) |
| Short-circuit proof | yes |
| Overload protection | yes |

KI503A



Capacitive sensor

KIE4150NCPKG/3D

| Monitoring range | | |
|-------------------------------|-----------------------------|--------------------------------|
| Sensing range | [mm] | 15 |
| Sensing range adjustable | | yes |
| Factory setting sensing range | [mm] | 15 |
| Real sensing range Sr | [mm] | 15 ± 10 % |
| Accuracy / deviations | | |
| Hysteresis | [% of Sr] | 1...15 |
| Switch-point drift | [% of Sr] | -20...20 |
| Operating conditions | | |
| Ambient temperature | [°C] | -20...60 |
| Protection | | IP 65; IP 67 |
| Tests / approvals | | |
| ATEX marking | II 3D Ex tc IIIC T90°C Dc X | |
| EMC | EN 61000-4-2 ESD | kV / 8 kV AD |
| | EN 61000-4-3 HF radiated | 3 V/m |
| | EN 61000-4-4 Burst | 2 kV |
| | EN 61000-4-6 HF conducted | 3 V |
| | EN 55011 | class B |
| | IEC 60255-5 | 1 kV line to line, Ri: 500 Ohm |
| MTTF | [years] | 463 |
| Mechanical data | | |
| Weight | [g] | 149 |
| Housing | | Threaded type |
| Mounting | | non-flush mountable |
| Dimensions | [mm] | M30 x 1.5 / L = 150 |
| Thread designation | | M30 x 1.5 |
| Material | | PBT; PA |
| Displays / operating elements | | |
| Display | Switching status | 1 x LED, yellow |
| Accessories | | |
| Items supplied | | lock nuts: 2 |
| Remarks | | |
| Pack quantity | | 1 pcs. |

KI503A



Capacitive sensor

KIE4150NCPKG/3D

Electrical connection

terminals: 0.34...1.5 mm²; Cable sheath: Ø 5...9 mm; Cable gland: M20 X 1.5

Connection

