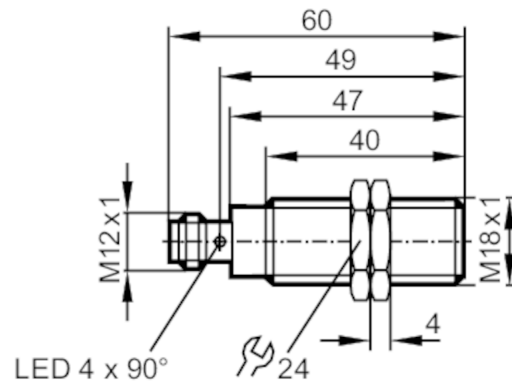


# OGE300



## Through-beam sensor receiver

OGE-DPKG/US100



### Product characteristics

Type of light	red light
Housing	Threaded type

### Application

Function principle	Through-beam sensor
--------------------	---------------------

### Electrical data

Operating voltage	[V]	10...36 DC
Current consumption	[mA]	10
Protection class		II
Reverse polarity protection		yes
Type of light		red light
Wave length	[nm]	624

### Outputs

Electrical design		PNP
Output function		dark-on mode
Max. voltage drop switching output DC	[V]	2.5
Permanent current rating of switching output DC	[mA]	150; (200 (...60 °C))
Switching frequency DC	[Hz]	1000
Short-circuit protection		yes
Type of short-circuit protection		yes (non-latching)
Overload protection		yes

### Monitoring range

Transmitter / receiver		receiver
Range	[m]	< 20
Range adjustable		no

# OGE300



## Through-beam sensor receiver

OGE-DPKG/US100

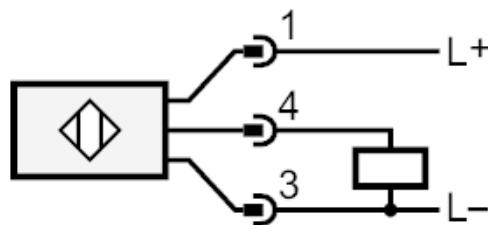
Operating conditions		
Ambient temperature	[°C]	-25...80
Protection		IP 65; IP 67; IP 68; IP 69K
Tests / approvals		
EMC		EN 60947-5-2
MTTF	[years]	1112
Mechanical data		
Weight	[g]	59.8
Housing		Threaded type
Dimensions	[mm]	M18 x 1 / L = 60
Thread designation		M18 x 1
Material		housing: stainless steel (1.4404 / 316L); sealing: EPDM
Lens material		PMMA
Displays / operating elements		
Display	Switching status	1 x LED, yellow
Accessories		
Items supplied		lock nuts: 2 x
Remarks		
Remarks		cULus - Class 2 source required
Pack quantity		1 pcs.

### Electrical connection

Connector: 1 x M12; coding: A



### Connection



# OGE300



## Through-beam sensor receiver

OGE-DPKG/US100

### Diagrams and graphs

excess gain graph

