

AC2306



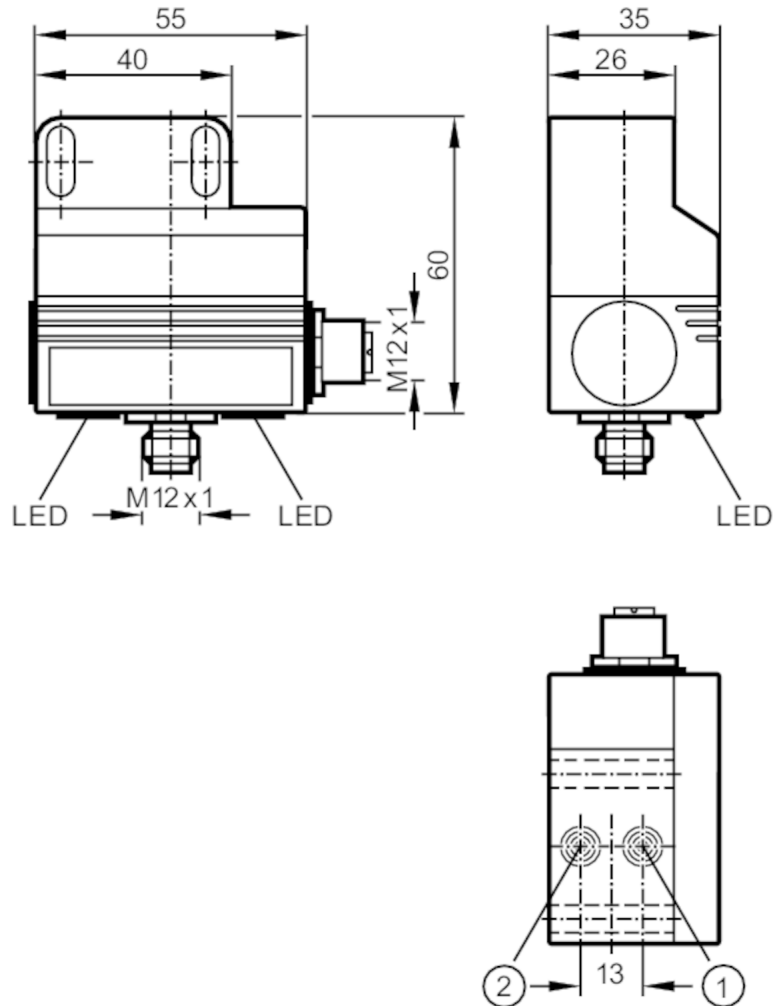
AS-Interface dual sensor for pneumatic quarter-turn actuators

DUAL SENSOR T5 2SI 1DO T M12

Article no longer available - archive entry

Alternative articles: AC2310

When selecting an alternative article and accessories please note that technical data may differ!



- 1 sensor 1
- 2 sensor 2



Product characteristics

Sensing range	[mm]	4
Dimensions	[mm]	55 x 60 x 35

Electrical data

Operating voltage	[V]	26.5...31.6 DC
-------------------	-----	----------------

Monitoring range

Sensing range	[mm]	4
---------------	------	---

Operating conditions

Ambient temperature	[°C]	-20...70
Protection		IP 67

AC2306



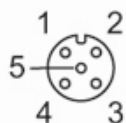
AS-Interface dual sensor for pneumatic quarter-turn actuators

DUAL SENSOR T5 2SI 1DO T M12

Tests / approvals		
EMC		EN 50081-1
		EN 61000-6-2
AS-i classification		
AS-i I/O configuration	[hex]	7
AS-i ID code	[hex]	F
AS-i certificate		15101
Mechanical data		
Mounting		non-flush mountable
Dimensions	[mm]	55 x 60 x 35
Material		PBT; PC
Displays / operating elements		
Display	Power	1 x LED, yellow
Remarks		
Pack quantity		1 pcs.

Electrical connection - Socket

Connector: 1 x M12; Moulded body: stainless steel



Connection

Ausgänge

3	External voltage -
4	Switching output +
1, 2, 5	nicht belegt

Electrical connection - plug

Connector: 1 x M12; Moulded body: stainless steel



Elektrischer Anschluss

1	AS-i+
3	AS-i -