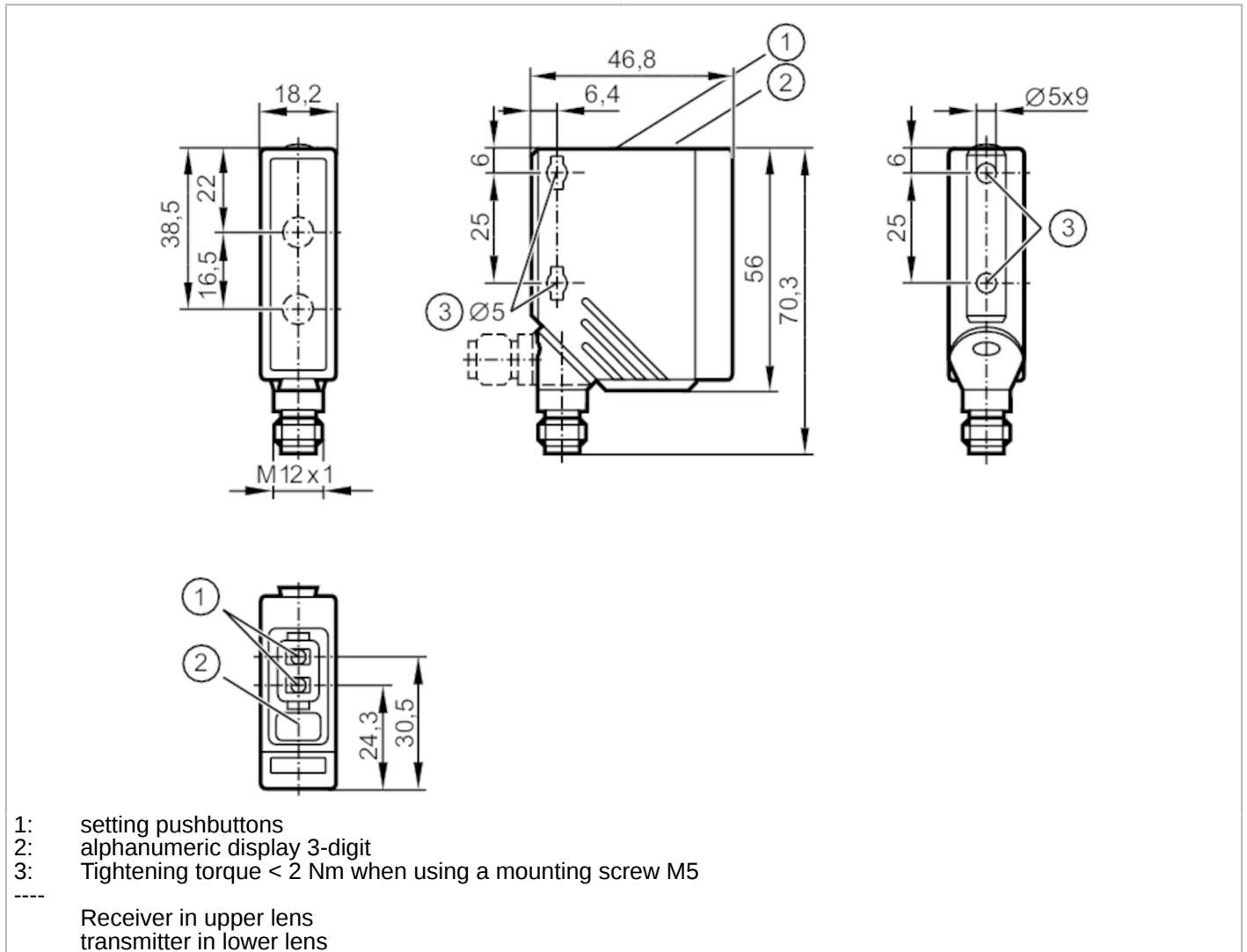


O5D150



Photoelectric distance sensor

O5DLCPKG/US



Product characteristics	
Type of light	red light
Laser protection class	1
Housing	rectangular
Application	
System	Background suppression
Electrical data	
Operating voltage [V]	10...30 DC; (cULus - Class 2 source required)
Current consumption [mA]	75; (24 V)
Protection class	III
Reverse polarity protection	yes
Type of light	red light
Wave length [nm]	650
Typ. lifetime [h]	50000

O5D150



Photoelectric distance sensor

O5DLCPKG/US

Inputs / outputs					
Number of inputs and outputs	Number of digital outputs: 2				
Outputs					
Total number of outputs	2				
Electrical design	PNP				
Number of digital outputs	2				
Output function	normally open / closed; (complementary)				
Max. current load per output [mA]	100				
Switching frequency DC [Hz]	11				
Short-circuit protection	yes				
Type of short-circuit protection	yes (non-latching)				
Overload protection	yes				
Monitoring range					
Max. light spot diameter [mm]	5				
Light spot dimensions refer to	2 m				
Detection range hysteresis [%]	< 4				
Note on monitoring range hysteresis	black 6 % remission				
Background suppression available	yes				
Background suppression [m]	< 20				
Measuring/setting range					
Measuring range [m]	0.03...2				
Sampling rate [Hz]	33				
Interfaces					
Communication interface	IO-Link				
Transmission type	COM2 (38,4 kBaud)				
IO-Link revision	1.1				
SDCI standard	IEC 61131-9				
Profiles	Smart Sensor: Sensor Identification; Binary Data Channel; Process Value; Sensor Diagnosis				
SIO mode	yes				
Process data analog	1				
Process data binary	1				
Min. process cycle time [ms]	6.6				
Supported DeviceIDs	<table border="1"><thead><tr><th>Type of operation</th><th>DeviceID</th></tr></thead><tbody><tr><td>default</td><td>372</td></tr></tbody></table>	Type of operation	DeviceID	default	372
Type of operation	DeviceID				
default	372				
Operating conditions					
Ambient temperature [°C]	-25...60				
Note on ambient temperature	at $t_a < -10$ °C warm-up is necessary, laser is off				
Protection	IP 65; IP 67				
Max. immunity to extraneous light [klx]	10; (on the object)				

O5D150



Photoelectric distance sensor

O5DLCPKG/US

Tests / approvals		
EMC	EN 60947-5-2	
Laser protection class		1
Notes on laser protection	Caution:	Laser light
	laser class:	1
		EN / IEC60825-1:2007
		EN / IEC60825-1:2014
		Complies with 21 CFR 1040 except for deviations pursuant to Laser Notice No. 50, dated June 2007.
MTTF [years]		151
Mechanical data		
Weight [g]		84.5
Housing		rectangular
Dimensions [mm]		56 x 18.2 x 46.8
Material	housing: PA; Front framework: stainless steel; operator interface: TPU (urethane); lens: PMMA	
Lens alignment		Side sensing
Displays / operating elements		
Display	Switching status	LED, yellow Switching output PIN 4
	Power	LED, green
	Display	alphanumeric display, 3-digit
Display unit		cm
Remarks		
Pack quantity		1 pcs.
Electrical connection		
Connector: 1 x M12; coding: A		

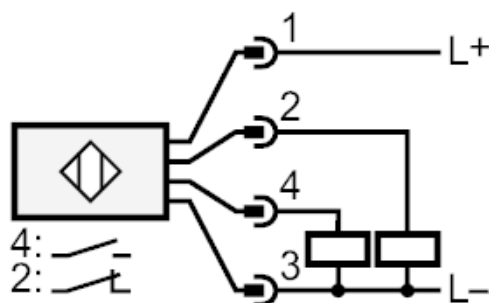
O5D150



Photoelectric distance sensor

O5DLCPKG/US

Connection



4: OUT / IO-Link

Other data

Accuracy

	Accuracy			
distance	black (6 % remission)	white (90 % remission)		
0 mm	± 25 mm	± 25 mm		
500 mm	± 25 mm	± 25 mm		
1000 mm	± 25 mm	± 25 mm		
1500 mm	± 40 mm	± 30 mm		
2000 mm	± 50 mm	± 30 mm		
Extraneous light on the object			< 10 klx	

O5D150

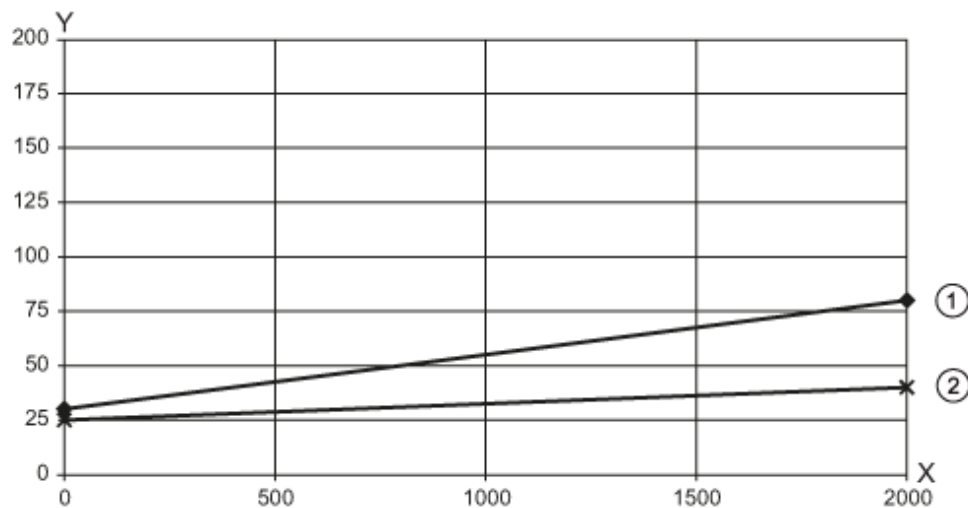


Photoelectric distance sensor

O5DLCPKG/US

Diagrams and graphs

Hysteresis graph



x: distance [mm]

y: Hysteresis [mm]

1 = background black 6 % remission

2 = background white 90 % remission