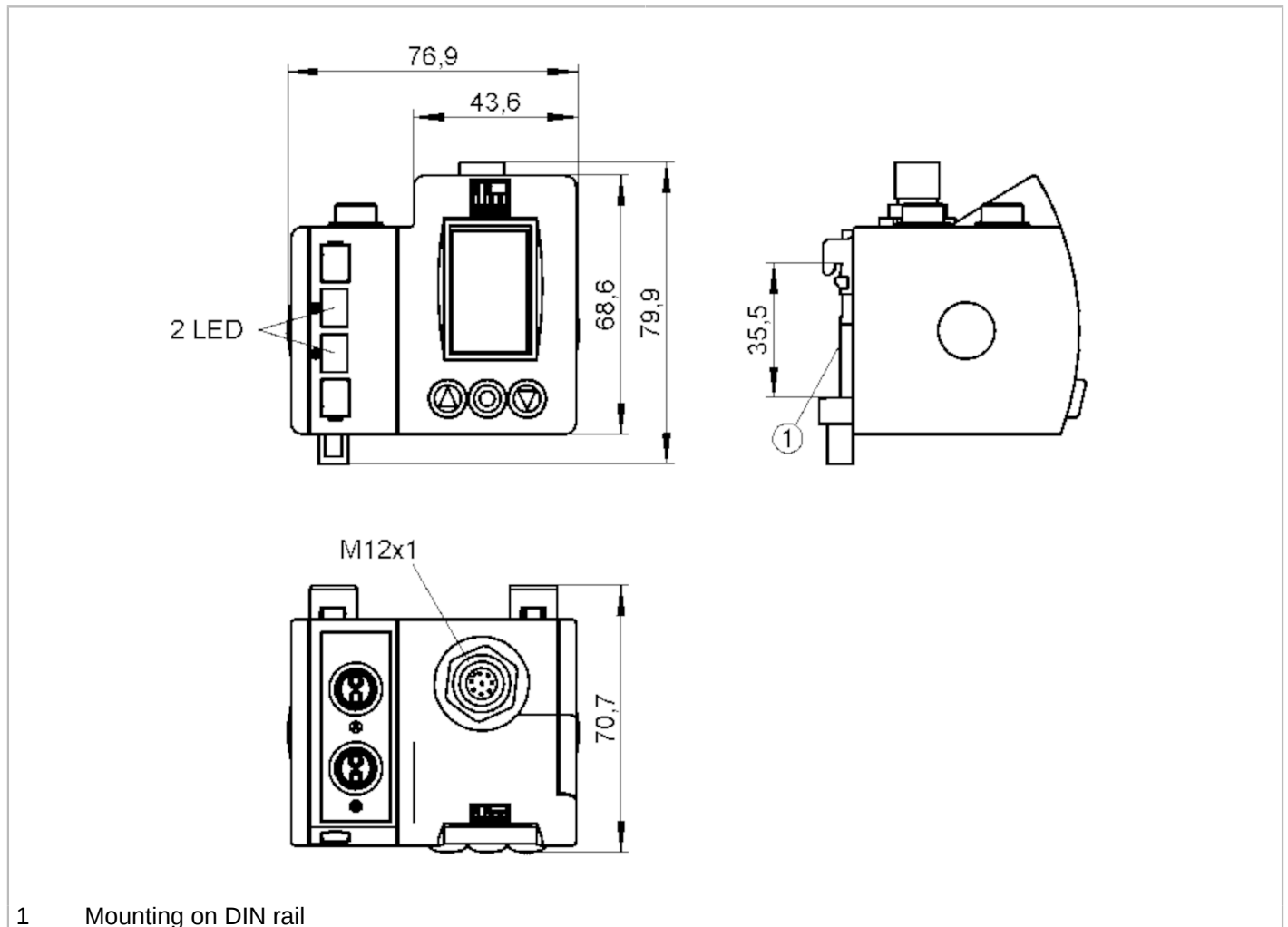




Fiber-optic amplifier

OO5-FPKG/M12/GL2



1 Mounting on DIN rail



Product characteristics

Type of light	red light
Housing	rectangular

Application

System	Function check output
--------	-----------------------

Electrical data

Operating voltage	[V]	12...36 DC
Current consumption	[mA]	50; ((24 V))
Max. power consumption	[VA]	1.1
Protection class		III
Reverse polarity protection		yes
Type of light		red light
Wave length	[nm]	630



Fiber-optic amplifier

OO5-FPKG/M12/GL2

Outputs		
Electrical design		PNP
Output function		light-on/dark-on mode; (programmable)
Max. voltage drop switching output DC	[V]	2
Function check output		yes
Max. current load for function check output	[mA]	200
Permanent current rating of switching output DC	[mA]	200
Switching frequency DC	[Hz]	2700
Notes on switching frequency	[Hz]	typical
Short-circuit protection		yes
Type of short-circuit protection		yes (non-latching)
Overload protection		yes
Time function	[s]	0.001...0.1
Monitoring range		
Range	[m]	< 0.4; (Through-beam sensor)
Range	[mm]	0...200; (Diffuse reflection sensor)
Range adjustable		yes
Software / programming		
Parameter setting options		automatic and manual switch point setting; AND / OR logic functions; second switch point
Operating conditions		
Ambient temperature	[°C]	-20...60
Protection		IP 65
Tests / approvals		
EMC	EN 60947-5-2	
	EN 55011	class B
Mechanical data		
Weight	[g]	463
Housing		rectangular
Dimensions	[mm]	79.9 x 76.9 x 70.7
Number of channels		2
Fiber optic connection		FE-00 / FT-00
Material		housing: ABS; display window: PMMA; LED window: SEPS; cover: diecast zinc plastic coated (PA)
Lens alignment		Side sensing
Displays / operating elements		
Display		full graphic LCD display, rotation of the display by 180° possible language selection (German, English, French)
	Switching status	2 x LED, yellow
Electronic lock		yes
Accessories		
Items supplied		rail: 1 x 65 mm, EN 60715

OO5004



Fiber-optic amplifier

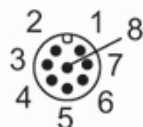
OO5-FPKG/M12/GL2

Remarks

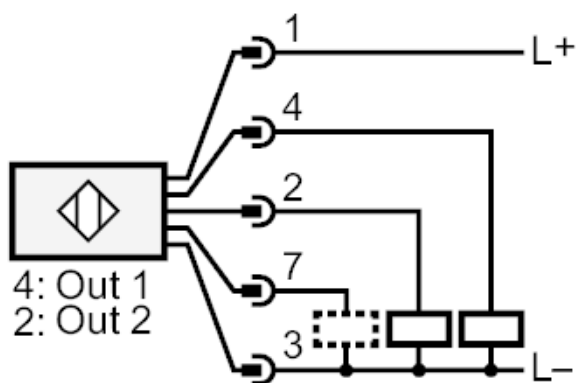
Remarks	cULus - Class 2 source required
Pack quantity	1 pcs.

Electrical connection

Connector: 1 x M12; coding: A



Connection



7 Function check output