

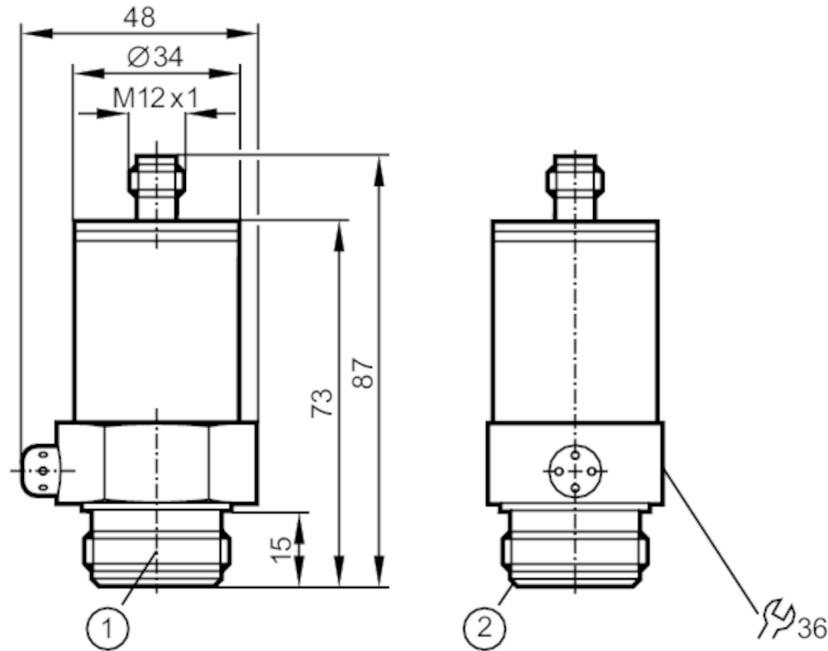
# PL2056



## Flush pressure transmitter

PL-2,5-RES30-E-ZVG/US/ IP

Please do not use for new projects.  
no more adapters available as accessories



- 1 Aseptoflex thread
- 2 Aseptoflex sealing edge



EC 1935/2004 EHEDG Tested FCM FDA

### Product characteristics

Number of inputs and outputs	Number of analog outputs: 1			
Measuring range	-0.13...2.5 bar	-130...2500 mbar	-1.8...36.3 psi	-13...250 kPa
Process connection	threaded connection Aseptoflex external thread Aseptoflex			

### Application

System	gold-plated contacts		
Application	flush mountable for the food and beverage industry		
Media	viscous media and liquids with suspended particles; liquids and gases		
Medium temperature [°C]	-25...80		
Min. bursting pressure	50 bar	725 psi	5000 kPa
Pressure rating	20 bar	290 psi	2000 kPa
Type of pressure	relative pressure		
No dead space	yes		

### Electrical data

Operating voltage [V]	14...30 DC		
Min. insulation resistance [MΩ]	100; (500 V DC)		
Protection class	III		
Reverse polarity protection	yes		
Measuring principle	hydrostatic		

### Inputs / outputs

Number of inputs and outputs	Number of analog outputs: 1
------------------------------	-----------------------------

# PL2056



## Flush pressure transmitter

PL-2,5-RES30-E-ZVG/US/ /P

Outputs				
Total number of outputs	1			
Output signal	analog signal			
Number of analog outputs	1			
Analog current output [mA]	4...20			
Max. load [ $\Omega$ ]	550; ( $U_b = 24\text{ V}$ ; ( $U_b - 13\text{ V}$ ) / 20 mA)			
Overload protection	yes			
Measuring/setting range				
Measuring range	-0.13...2.5 bar	-130...2500 mbar	-1.8...36.3 psi	-13...250 kPa
Analog start point	-0.13...1.88 bar		-1.8...27.2 psi	-13...188 kPa
Analog end point	0.5...2.5 bar		7.3...36.3 psi	50...250 kPa
In steps of	0.01 bar		0.1 psi	1 kPa
Factory setting			ASP = 0.0 bar	AEP = 2.50 bar
Accuracy / deviations				
Repeatability [% of the span]	< $\pm 0,1$ ; (with temperature fluctuations < 10 K; Turn down 1:1)			
Characteristics deviation [% of the span]	< $\pm 0,6$ ; (Turn down 1:1, linearity, incl. hysteresis and repeatability, limit value setting to DIN EN IEC 62828-1)			
Linearity deviation [% of the span]	< $\pm 0,5$ ; (Turn down 1:1)			
Hysteresis deviation [% of the span]	< $\pm 0,1$ ; (Turn down 1:1)			
Long-term stability [% of the span]	< $\pm 0,1$ ; (Turn down 1:1; per year)			
Temperature coefficient zero point [% of the span / 10 K]	< $\pm 0,1$ ; (0...80 °C)			
Temperature coefficient span [% of the span / 10 K]	< $\pm 0,2$ ; (0...80 °C)			
Reaction times				
Max. response time analog output [ms]	3			
Software / programming				
Parameter setting options	Zero point; span			
Interfaces				
Communication interface	EPS			
Operating conditions				
Ambient temperature [°C]	-25...80			
Storage temperature [°C]	-40...100			
Protection	IP 67			

# PL2056



## Flush pressure transmitter

PL-2,5-RES30-E-ZVG/US/ /P

Tests / approvals		
EMC	EN 61000-4-2 ESD	4 kV CD / 8 kV AD
	EN 61000-4-3 HF radiated	1 GHz / Accuracy < 2,5%
	EN 61000-4-4 Burst	2 kV
	EN 61000-4-6 HF conducted	10 V
Shock resistance	DIN IEC 68-2-27	50 g (11 ms)
Vibration resistance	DIN IEC 68-2-6	20 g (10...2000 Hz)
MTTF	[years]	271

Mechanical data		
Weight	[g]	320
Material	stainless steel (1.4404 / 316L); PEI; FKM	
Materials (wetted parts)	ceramics (99.9 % Al2O3); stainless steel (1.4435 / 316L); surface characteristics: Ra < 0,4 / Rz 4; PTFE	
Min. pressure cycles	100 million	
Process connection	threaded connection Aseptoflex external thread Aseptoflex	

Remarks	
Remarks	The 3-A qualification is only valid if adapters with 3-A qualification are used for installation.
Notes	Please do not use for new projects.; no more adapters available as accessories
Pack quantity	1 pcs.

### Electrical connection

Connector: 1 x M12; coding: A; Contacts: gold-plated



### Connection

