

# PL3054



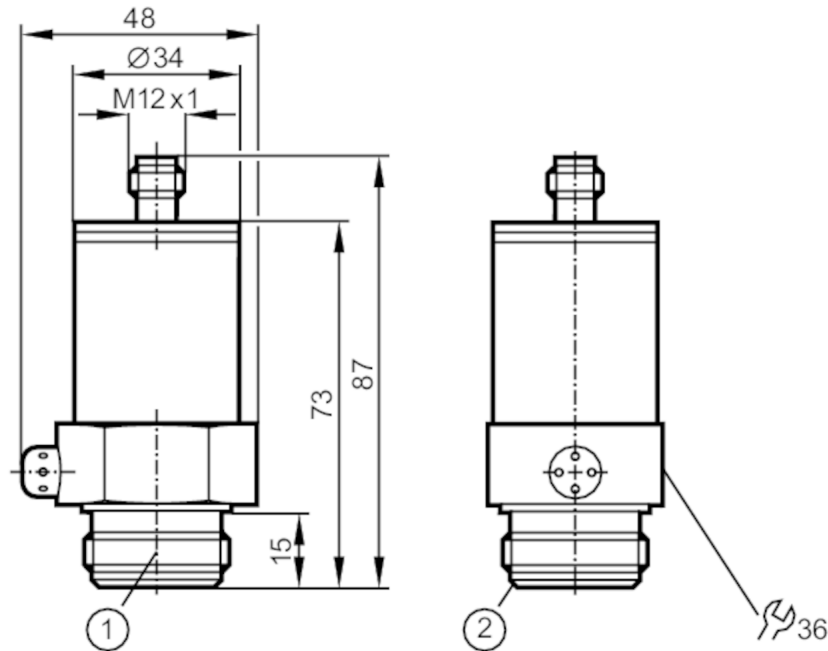
## Flush pressure transmitter

PL-010-RES30-A-ZVG/US/ IP

Article no longer available - archive entry

Alternative articles: PL2054

When selecting an alternative article and accessories please note that technical data may differ!



- 1 Aseptoflex thread
- 2 Aseptoflex sealing edge



### Product characteristics

Number of inputs and outputs	Number of analog outputs: 1
Measuring range [bar]	0...10
Process connection	threaded connection Aseptoflex external thread Aseptoflex

### Application

Application	flush mountable for the food and beverage industry
Media	viscous media and liquids with suspended particles; liquids and gases
Medium temperature [°C]	-25...80
Min. bursting pressure [bar]	150
Pressure rating [bar]	50
Type of pressure	relative pressure
No dead space	yes

### Electrical data

Operating voltage [V]	10.8...30 DC
Min. insulation resistance [MΩ]	100; (500 V DC)
Protection class	III
Reverse polarity protection	yes

### Inputs / outputs

Number of inputs and outputs	Number of analog outputs: 1
------------------------------	-----------------------------

# PL3054



## Flush pressure transmitter

PL-010-RES30-A-ZVG/US/ IP

Outputs		
Total number of outputs	1	
Output signal	analog signal	
Number of analog outputs	1	
Analog current output [mA]	4...20	
Max. load [ $\Omega$ ]	660; ( $U_b = 24 \text{ V}$ ; ( $U_b - 10,8 \text{ V}$ ) / 20 mA)	
Overload protection	yes	
Measuring/setting range		
Measuring range [bar]	0...10	
Accuracy / deviations		
Repeatability [% of the final value]	< 0,1; (with temperature fluctuations < 10 K)	
Characteristics deviation [% of the final value]	< $\pm 1,0$ ; (incl. linearity, zero and span error (limit value setting))	
Temperature drift per 10 K	< $\pm 0,3$	
Reaction times		
Max. response time analog output [ms]	3	
Operating conditions		
Ambient temperature [ $^{\circ}\text{C}$ ]	-25...80	
Storage temperature [ $^{\circ}\text{C}$ ]	-40...100	
Protection	IP 67	
Tests / approvals		
EMC	EN 61000-4-2 ESD	4 kV CD / 8 kV AD
	EN 61000-4-3 HF radiated	10 V/m
	EN 61000-4-4 Burst	2 kV
	EN 61000-4-6 HF conducted	10 V
Shock resistance	DIN IEC 68-2-27	50 g (11 ms)
Vibration resistance	DIN IEC 68-2-6	20 g (10...2000 Hz)
Mechanical data		
Material	PA; PBT; stainless steel (1.4404 / 316L)	
Materials (wetted parts)	ceramics; PTFE; stainless steel (1.4404 / 316L)	
Min. pressure cycles	100 million	
Process connection	threaded connection Aseptoflex external thread Aseptoflex	
Remarks		
Pack quantity	1 pcs.	
Electrical connection		
Connector: 1 x M12		

# PL3054



## Flush pressure transmitter

PL-010-RES30-A-ZVG/US/ IP



### Connection

