

PN7001



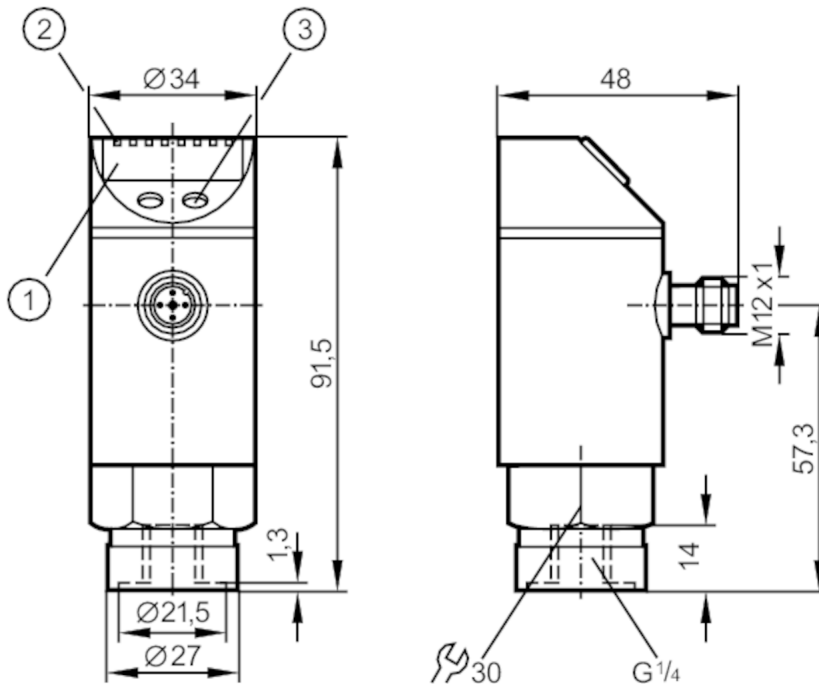
Pressure sensor with display

PN-250-SBR14-QFRKG/US/ IV

Article to be discontinued

Alternative articles: PN7071

When selecting an alternative article and accessories please note that technical data may differ!



- 1 alphanumeric display 4-digit
- 2 LEDs Display unit / Switching status
- 3 Programming button



Product characteristics

Number of inputs and outputs	Number of digital outputs: 2		
Measuring range	0...250 bar	0...3625 psi	0...25 MPa
Process connection	threaded connection G 1/4 Internal thread		

Application

System	gold-plated contacts		
Application	for industrial applications		
Media	liquids and gases		
Conditionally suitable for	use in gases at pressures > 25 bar only on request		
Medium temperature [°C]	-25...80		
Min. bursting pressure	850 bar	12300 psi	85 MPa
Pressure rating	400 bar	5800 psi	40 Mpa
Type of pressure	relative pressure		

PN7001



Pressure sensor with display

PN-250-SBR14-QFRKG/US/ IV

Electrical data			
Operating voltage	[V]	18...36 DC; (to SELV/PELV)	
Current consumption	[mA]	< 35	
Min. insulation resistance	[MΩ]	100; (500 V DC)	
Protection class		III	
Reverse polarity protection		yes	
Overvoltage protection		yes; (< 40 V)	
Power-on delay time	[s]	0.3	
Integrated watchdog		yes	
Inputs / outputs			
Number of inputs and outputs		Number of digital outputs: 2	
Outputs			
Total number of outputs		2	
Output signal		switching signal; IO-Link; (configurable)	
Electrical design		PNP/NPN	
Number of digital outputs		2	
Output function		normally open / closed; (configurable)	
Max. voltage drop switching output DC	[V]	2	
Permanent current rating of switching output DC	[mA]	250	
Switching frequency DC	[Hz]	< 170	
Short-circuit protection		yes	
Type of short-circuit protection		yes (non-latching)	
Measuring/setting range			
Measuring range		0...250 bar	0...3625 psi
			0...25 MPa
Set point SP		2...250 bar	40...3620 psi
			0.2...25 MPa
Reset point rP		1...249 bar	20...3600 psi
			0.1...24.9 MPa
In steps of		1 bar	20 psi
			0.1 MPa
Factory setting			SP1 = 63 bar
			rP1 = 58 bar
			SP2 = 188 bar
			rP2 = 183 bar
Accuracy / deviations			
Switch point accuracy		< ± 0,5	
	[% of the span]		
Repeatability		< ± 0,1; (with temperature fluctuations < 10 K)	
	[% of the span]		
Characteristics deviation		< ± 0,25 (BFSL) / < ± 0,5 (LS); (BFSL = Best Fit Straight Line; LS = limit value setting)	
	[% of the span]		
Hysteresis deviation		< ± 0,25	
	[% of the span]		
Long-term stability		< ± 0,05; (per 6 months)	
	[% of the span]		
Temperature coefficient zero point		0,2; (0...80 °C)	
	[% of the span / 10 K]		
Temperature coefficient span		0,2; (0...80 °C)	

PN7001



Pressure sensor with display

PN-250-SBR14-QFRKG/US/ IV

[% of the span / 10 K]

Reaction times		
Delay time programmable dS, dr	[s] 0; 0,2...50	
Software / programming		
Parameter setting options	hysteresis / window; normally open / closed; Diagnostic function; switching logic; switch-on/switch-off delay; Damping; Display unit	
Interfaces		
Communication interface	IO-Link	
Transmission type	COM2 (38,4 kBaud)	
IO-Link revision	1.1	
SDCI standard	IEC 61131-9 CDV	
Profiles	no profile	
SIO mode	yes	
Required master port class	A	
Process data analog	1	
Process data binary	2	
Min. process cycle time	[ms] 2.3	
Supported DeviceIDs	Type of operation	
	default	
	DeviceID	
	308	
Operating conditions		
Ambient temperature	[°C] -20...80	
Storage temperature	[°C] -40...100	
Protection	IP 67	
Tests / approvals		
EMC	EN 61000-4-2 ESD	4 kV CD / 8 kV AD
	EN 61000-4-3 HF radiated	10 V/m
	EN 61000-4-4 Burst	2 kV
	EN 61000-4-5 Surge	0,5/1 kV
	EN 61000-4-6 HF conducted	10 V
	Shock resistance	DIN IEC 68-2-27
Vibration resistance	DIN IEC 68-2-6	20 g (10...2000 Hz)
MTTF	[years]	219
Pressure equipment directive	sound engineering practice; can be used for group 2 fluids; group 1 fluids on request	
Mechanical data		
Weight	[g]	263.4
Material	stainless steel (1.4301 / 304); stainless steel (1.4404 / 316L); PC; PBT; PEI; FKM	
Materials (wetted parts)	stainless steel (1.4305 / 303); ceramics; FKM	
Min. pressure cycles	100 million	
Process connection	threaded connection G 1/4 Internal thread	
Restrictor element integrated	no (can be retrofitted)	

PN7001



Pressure sensor with display

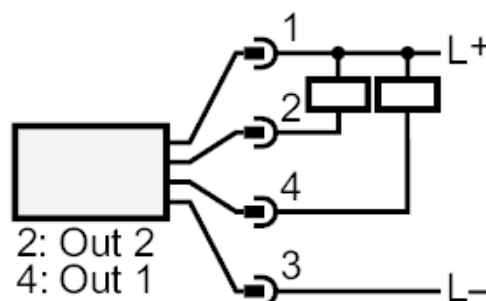
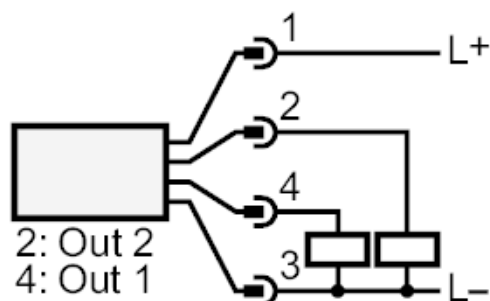
PN-250-SBR14-QFRKG/US/ IV

Displays / operating elements		
Display	Display unit	3 x LED, green
	Switching status	2 x LED, yellow
	Function display	alphanumeric display, 4-digit
	Measured values	alphanumeric display, 4-digit

Remarks	
Pack quantity	1 pcs.

Electrical connection

Connector: 1 x M12; coding: A; Contacts: gold-plated



OUT1	Switching output IO-Link
OUT2	Switching output Diagnostic output