

PN8021



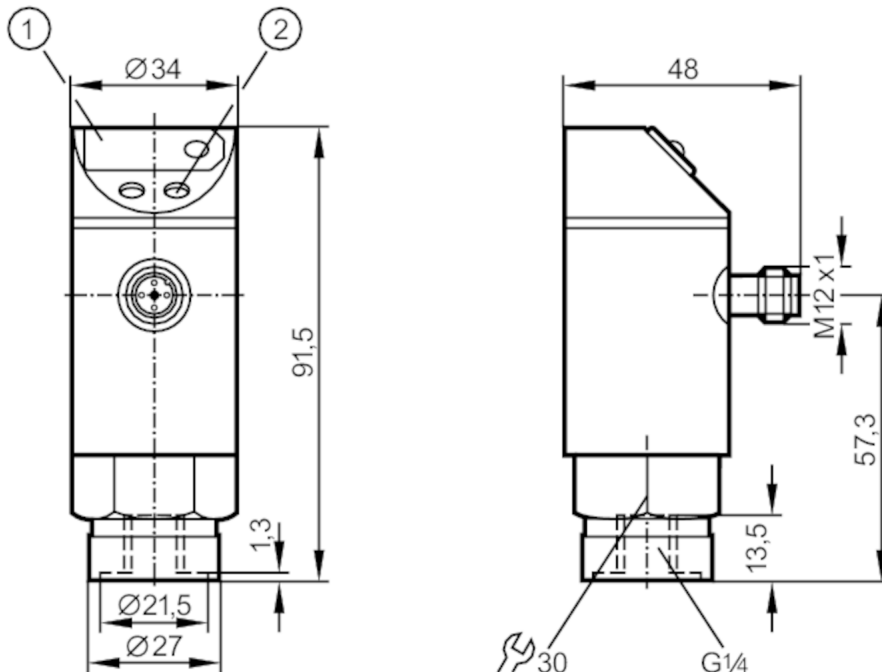
Pressure sensor with display

PN-250-SBR14-KFPKG/US/ IV

Article no longer available - archive entry

Alternative articles: PN3001

When selecting an alternative article and accessories please note that technical data may differ!



- 1 7-segment LED display
- 2 Programming button



Product characteristics

Number of inputs and outputs	Number of digital outputs: 1; Number of analog outputs: 1
Measuring range [bar]	0...250
Process connection	threaded connection G 1/4 Internal thread

Application

Application	for industrial applications
Media	liquids and gases
Conditionally suitable for	For gaseous media the application is limited to max. 25 bar.
Medium temperature [°C]	-25...80
Min. bursting pressure [bar]	850
Pressure rating [bar]	400
Type of pressure	relative pressure

Electrical data

Operating voltage [V]	20...30 DC
Current consumption [mA]	< 60

Inputs / outputs

Number of inputs and outputs	Number of digital outputs: 1; Number of analog outputs: 1
------------------------------	---

PN8021



Pressure sensor with display

PN-250-SBR14-KFKPG/US/ IV

Outputs								
Total number of outputs	2							
Output signal	switching signal; analog signal; (configurable)							
Electrical design	PNP							
Number of digital outputs	1							
Max. voltage drop switching output DC [V]	2							
Permanent current rating of switching output DC [mA]	250							
Number of analog outputs	1							
Analog current output [mA]	4...20							
Max. load [Ω]	500							
Measuring/setting range								
Measuring range [bar]	0...250							
Set point SP [bar]	12.5...250							
Reset point rP [bar]	7.5...245							
In steps of [bar]	2.5							
Accuracy / deviations								
Switch point accuracy [% of the final value]	< ± 2,0							
Repeatability [% of the final value]	< ± 0,25; (with temperature fluctuations < 10 K)							
Characteristics deviation [% of the final value]	< ± 2,0							
Temperature drift per 10 K	< ± 0.3							
Reaction times								
Switching frequency for a given set response time of one output	Response time (dAP) [ms]	15	20	30	50	90	170	330
	Switching frequency [Hz]	50	35	30	20	15	9	5
Response time [ms]	at rectangular pressure characteristic; Set point (SPx) = 70 %; Reset point (rPx) = 30 %							
Delay time programmable dS, dr [s]	0, 0,2, 0,4,...3							
Software / programming								
Adjustment of the switch point	Programming button							
Operating conditions								
Ambient temperature [°C]	-25...80							
Storage temperature [°C]	-40...100							
Protection	IP 67							
Tests / approvals								
EMC	IEC 801/2 ESD				4 kV CD / 8 kV AD			
	IEC 801/3 HF				10 V/m			
	IEC 801/4 Burst				2 kV			

PN8021



Pressure sensor with display

PN-250-SBR14-KFPKG/US/ IV

Mechanical data		
Material	brass nickel-plated; PBT; PC; PA	
Materials (wetted parts)	brass nickel-plated; ceramics; FKM; NBR; EPDM/X	
Min. pressure cycles	100 million	
Process connection	threaded connection G 1/4 Internal thread	
Displays / operating elements		
Display	Switching status	LED, red
	Function display	7-segment LED display
	Measured values	7-segment LED display
Remarks		
Pack quantity	1 pcs.	

Electrical connection

Connector: 1 x M12

