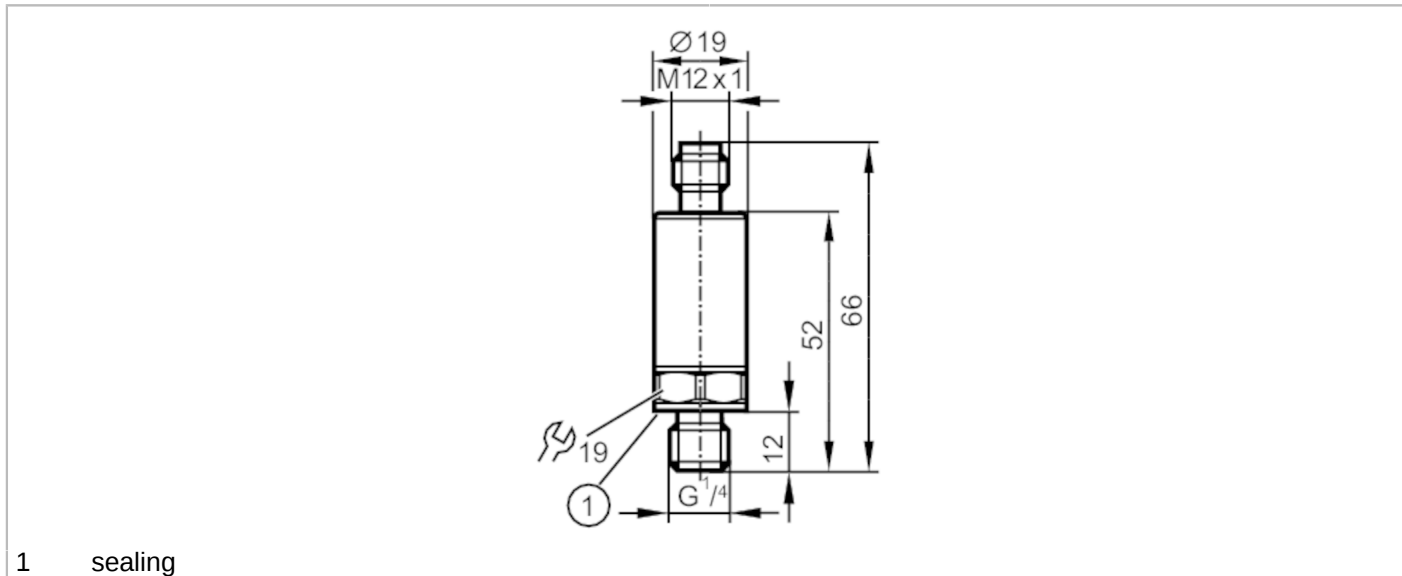


PT5301



Pressure transmitter

PT-250-SEG14-A-ZVG/US/ IW



Product characteristics

Number of inputs and outputs	Number of analog outputs: 1		
Measuring range	0...250 bar	0...3625 psi	0...25 MPa
Process connection	threaded connection G 1/4 external thread (DIN EN ISO 1179-2)		

Application

Application	for industrial applications		
Media	liquids and gases		
Medium temperature [°C]	-40...90		
Min. bursting pressure	1200 bar	17400 psi	120 MPa
Pressure rating	625 bar	9060 psi	62.5 Mpa
Note on pressure rating	static		
Vacuum resistance [mbar]	-1000		
Type of pressure	relative pressure		

Electrical data

Operating voltage [V]	8.5...36 DC		
Min. insulation resistance [MΩ]	100; (500 V DC)		
Protection class	III		
Reverse polarity protection	yes		
Power-on delay time [s]	< 0.1		

Inputs / outputs

Number of inputs and outputs	Number of analog outputs: 1		
------------------------------	-----------------------------	--	--

PT5301



Pressure transmitter

PT-250-SEG14-A-ZVG/US/ IW

Outputs			
Total number of outputs		1	
Output signal		analog signal	
Number of analog outputs		1	
Analog current output [mA]		4...20	
Max. load [Ω]		$(U_b - 8,5 \text{ V}) / 21,5 \text{ mA}$; @8,5V= 0 Ω ; @12V max. 160 Ω ; @24V max. 720 Ω	
Short-circuit proof		yes	
Overload protection		yes	
Measuring/setting range			
Measuring range		0...250 bar	0...3625 psi
			0...25 MPa
Accuracy / deviations			
Repeatability [% of the span]		< $\pm 0,05$; (with temperature fluctuations < 10 K)	
Characteristics deviation [% of the span]		< $\pm 0,5$; (incl. drift when overtightened, zero point and span error, non-linearity, hysteresis)	
Linearity deviation [% of the span]		< $\pm 0,1$ (BFSL) / < $\pm 0,2$ (LS)	
Hysteresis deviation [% of the span]		< $\pm 0,2$	
Long-term stability [% of the span]		< $\pm 0,1$; (per 6 months)	
Temperature coefficient zero point and span [% of the span / 10 K]		< 0,1 (-25...90 $^{\circ}\text{C}$) / < 0,2 (-40...-25 $^{\circ}\text{C}$)	
Reaction times			
Step response time analog output [ms]		1	
Operating conditions			
Ambient temperature [$^{\circ}\text{C}$]		-40...90	
Storage temperature [$^{\circ}\text{C}$]		-40...100	
Protection		IP 67; IP 69K	
Tests / approvals			
EMC		DIN EN 61000-6-2	
		DIN EN 61000-6-3	
Shock resistance		DIN EN 60068-2-27	50 g (11 ms)
Vibration resistance		DIN EN 60068-2-6	20 g (10...2000 Hz)
MTTF [years]		787	
UL approval		UL approval number	J028
Pressure equipment directive		sound engineering practice; can be used for group 2 fluids; group 1 fluids on request	

PT5301



Pressure transmitter

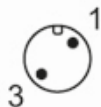
PT-250-SEG14-A-ZVG/US/ IW

Mechanical data	
Weight [g]	60.5
Material	1.4542 (17-4 PH / 630); stainless steel (1.4404 / 316L); PEI
Materials (wetted parts)	1.4542 (17-4 PH / 630)
Min. pressure cycles	60 million; (at 1.2 times nominal pressure)
Tightening torque [Nm]	25...35; (recommended tightening torque; Depends on lubrication, seal and pressure rating)
Process connection	threaded connection G 1/4 external thread (DIN EN ISO 1179-2)
Process connection sealing	FKM (DIN EN ISO 1179-2)
Restrictor element integrated	no (can be retrofitted)

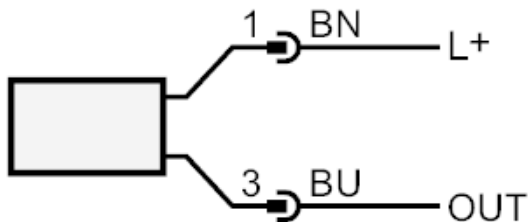
Remarks	
Remarks	BFSL = Best Fit Straight Line LS = limit value setting
Pack quantity	1 pcs.

Electrical connection

Connector: 1 x M12; coding: A



Connection



OUT analog output
 Colors to DIN EN 60947-5-2
 Core colors :
BN = brown
BU = blue