

# SA3010



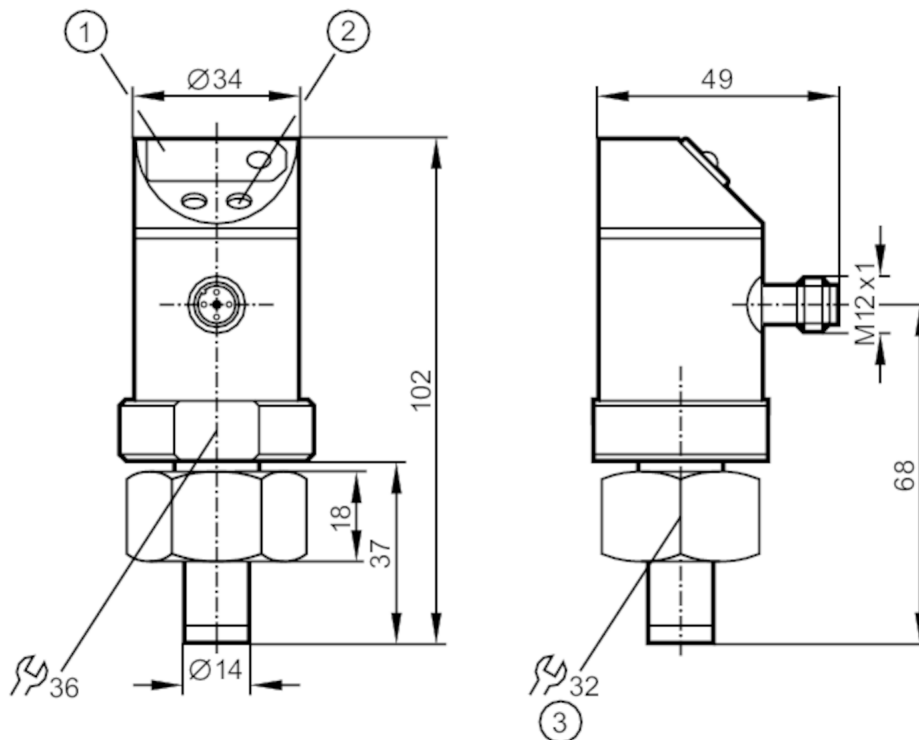
## Flow monitor

SAD18BBDFRKG/W/US-100-IPF

Article to be discontinued

Alternative articles: SA5010

When selecting an alternative article and accessories please note that technical data may differ!



- 1 7-segment LED display
- 2 Programming buttons
- 3 Internal thread M26 x 1.5



### Product characteristics

Number of inputs and outputs	Number of digital outputs: 2; Number of analog outputs: 1
Measuring range [l/min]	0...10

### Application

System	gold-plated contacts
Installation	T-pieces; ((DIN 2353): QL 18-18-18 (NW 15 mm) / QL 22-18-22 (NW 19 mm) / QL 28-18-28 (NW 24 mm))
Media	water
Medium temperature [°C]	0...80
Pressure rating [bar]	30

# SA3010



## Flow monitor

SAD18BBDFRKG/W/US-100-IPF


Electrical data		
Operating voltage	[V]	20...28 DC
Current consumption	[mA]	< 80
Protection class		III
Reverse polarity protection		yes
Power-on delay time	[s]	10
Inputs / outputs		
Number of inputs and outputs		Number of digital outputs: 2; Number of analog outputs: 1
Outputs		
Total number of outputs		2
Output signal		switching signal; analog signal; (configurable)
Electrical design		PNP/NPN
Number of digital outputs		2
Output function		normally open / closed; (configurable)
Max. voltage drop switching output DC	[V]	2
Permanent current rating of switching output DC	[mA]	250; (per output)
Number of analog outputs		1
Analog current output	[mA]	4...20; (scalable)
Max. load	[Ω]	500
Analog voltage output	[V]	0...10; (scalable)
Min. load resistance	[Ω]	2000
Short-circuit protection		yes
Type of short-circuit protection		yes (non-latching)
Overload protection		yes
Measuring/setting range		
Measuring range	[l/min]	0...10
Display range	[l/min]	0...12
Set point SP	[l/min]	0.1...12
Reset point rP	[l/min]	0...11.9
Analog start point ASP	[l/min]	0...8
Analog end point AEP	[l/min]	4...12
In steps of	[l/min]	0.1
Accuracy / deviations		
Flow monitoring		
Repeatability	[% of the measured value]	3 (Q < 30%) / 7 (Q < 100%)
Max. temperature gradient of medium	[K/min]	200
Accuracy (in the measuring range)		± 10

# SA3010



## Flow monitor

SAD18BBDFRKG/W/US-100-IPF

Reaction times		
Flow monitoring		
Response time [s]	5; (10%...90%)	
Delay time programmable dS, dr [s]	0...50	
Software / programming		
Parameter setting options	hysteresis / window; normally open / closed; switching logic; current/ voltage output; inside pipe diameter; Start-up delay; adaptation of displayed values; display can be rotated and switched off; Display unit	
Operating conditions		
Ambient temperature [°C]	-20...60	
Protection	IP 67	
Tests / approvals		
EMC	EN 61000-4-2 ESD	4 kV CD / 8 kV AD
	EN 61000-4-3 HF radiated	10 V/m
	EN 61000-4-4 Burst	2 kV
	EN 61000-4-6 HF conducted	10 V
MTTF [years]	184	
Mechanical data		
Weight [g]	330.5	
Material	stainless steel (1.4404 / 316L); PBT; PC; PA; EPDM/X; FKM	
Materials (wetted parts)	stainless steel (1.4404 / 316L); O-ring: FKM 70 Shore A	
Displays / operating elements		
Display	Switching status	2 x LED, red
	Measured values	7-segment LED display
	Programming	7-segment LED display
Display unit	l/min; gpm; l/h; gph; m <sup>3</sup> /h	
Remarks		
Remarks	NW = nominal diameter	
Pack quantity	1 pcs.	
Electrical connection		
Connector: 1 x M12; coding: A; Contacts: gold-plated		
		

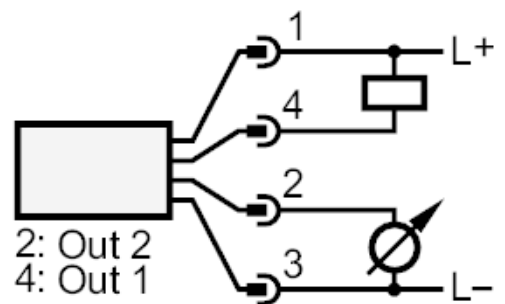
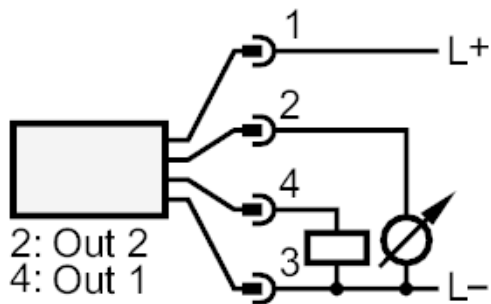
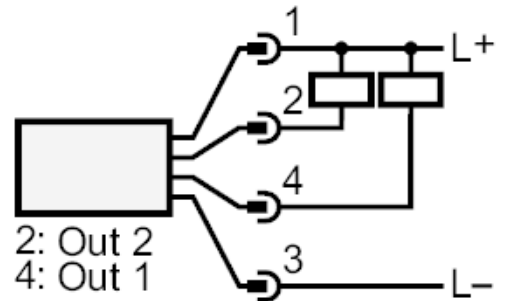
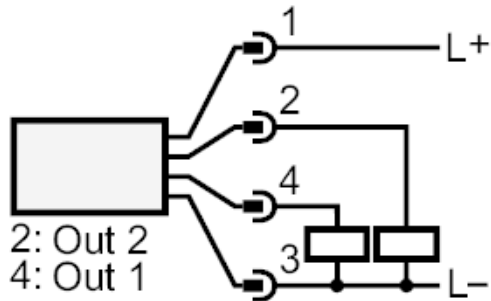
# SA3010



## Flow monitor

SAD18BBDFRKG/W/US-100-IPF

### Connection



OUT1:            Switching output  
OUT2:            Switching output  
                  analog output