

SD6000



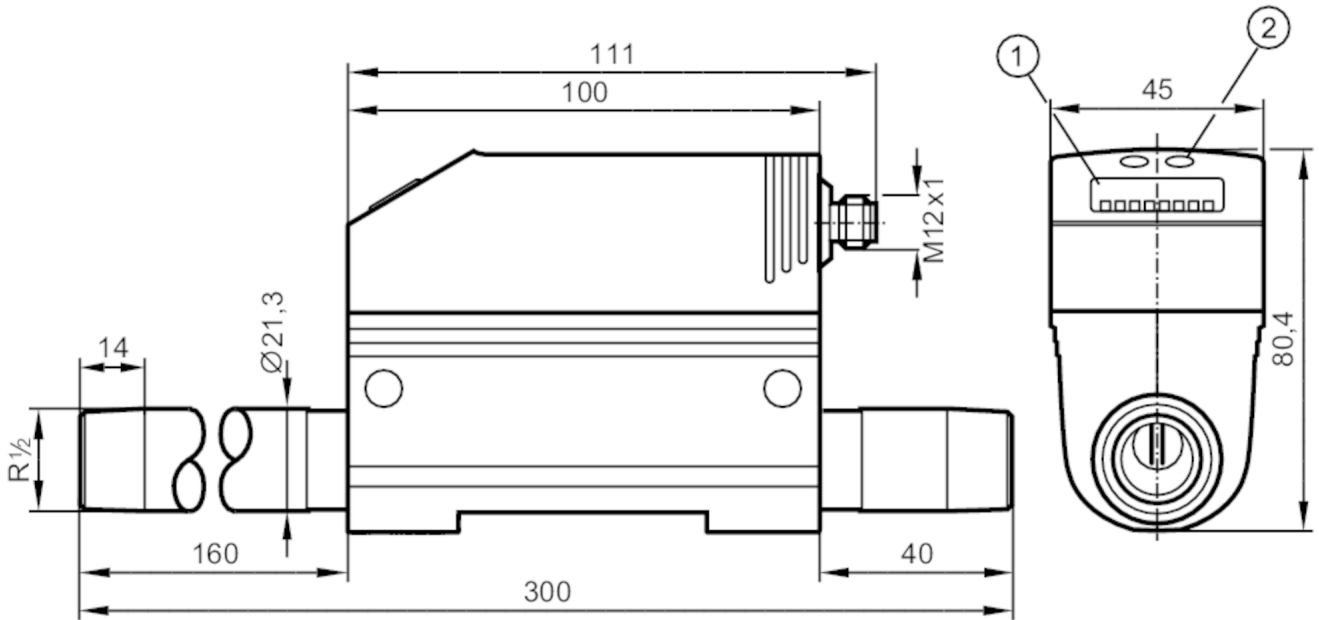
Compressed air meter

SDR12DGXFPKG/US-100

Article to be discontinued

Alternative articles: SD6500

When selecting an alternative article and accessories please note that technical data may differ!



- 1 alphanumeric display 4-digit
- 2 Programming buttons



Product characteristics

Number of inputs and outputs	Number of digital outputs: 2; Number of analog outputs: 1		
Measuring range	10...1250 l/min	0.3...103.6 m/s	0.2...75 m³/h
Process connection	threaded connection R 1/2 DN15		

Application

Application	for industrial applications		
Media	compressed air		
	air quality ISO 8573-1		
	class 141		
	class 344		
Note on media			
Medium temperature	[°C]	0...60	
Pressure rating	[bar]	16	
Pressure rating	[Mpa]	1.6	
MAWP (for applications according to CRN)	[bar]	16	

SD6000



Compressed air meter

SDR12DGXFPKG/US-100

Electrical data				
Operating voltage	[V]	18...30 DC; (to SELV/PELV)		
Current consumption	[mA]	< 110		
Protection class		III		
Reverse polarity protection		yes		
Power-on delay time	[s]	1		
Inputs / outputs				
Number of inputs and outputs		Number of digital outputs: 2; Number of analog outputs: 1		
Outputs				
Total number of outputs		2		
Output signal		switching signal; analog signal; pulse signal; IO-Link; (configurable)		
Electrical design		PNP		
Number of digital outputs		2		
Output function		normally open / closed; (configurable)		
Max. voltage drop switching output DC	[V]	2		
Permanent current rating of switching output DC	[mA]	250; (per output)		
Number of analog outputs		1		
Analog current output	[mA]	4...20; (scalable)		
Max. load	[Ω]	500		
Pulse output		consumed quantity meter		
Short-circuit protection		yes		
Type of short-circuit protection		yes (non-latching)		
Overload protection		yes		
Measuring/setting range				
Measuring range		10...1250 l/min	0.3...103.6 m/s	0.2...75 m³/h
Display range		0...1500 l/min	0...124.3 m/s	0...90 m³/h
Set point SP		10...1250 l/min	0.8...103.6 m/s	0.6...75 m³/h
Reset point rP		4...1244 l/min	0.3...103.1 m/s	0.2...74.6 m³/h
Analog start point ASP		0...938 l/min	0...77.7 m/s	0...56.3 m³/h
Analog end point AEP		312...1250 l/min	25.9...103.6 m/s	18.7...75 m³/h
In steps of		1 l/min	0.1 m/s	0.1 m³/h
Volumetric flow quantity monitoring				
Pulse value		0.001...1000000 m³		
In steps of		0.001 m³		
Pulse length	[s]	0,02...2		
Temperature monitoring				
Measuring range	[°C]	0...60		
Display range	[°C]	-12...72		
Accuracy / deviations				
Flow monitoring				
Repeatability		± 1,5		

SD6000



Compressed air meter

SDR12DGXFPKG/US-100

	[% of the measured value]					
Accuracy (in the measuring range)		$\pm (3 \% MW + 0,3 \% MEW) / \pm (6 \% MW + 0,6 \% MEW)$; (class 141 /; class 344; conditions: installation to DIN ISO 2533; installation in pipes: DN15)				
Temperature monitoring						
Accuracy	[K]	± 2 ; (medium flow in the limit area of the flow measurement range)				
Reaction times						
Flow monitoring						
Response time	[s]	0.1; (dAP = 0)				
Damping process value dAP in steps	[s]	0 - 0,2 - 0,4 - 0,6 - 0,8 - 1				
Software / programming						
Parameter setting options		Flow monitoring; quantity meter; Preset counter; Temperature monitoring; hysteresis / window; normally open / closed; current/pulse output; display can be rotated and switched off; Display unit; totalizer				
Interfaces						
Communication interface		IO-Link				
Transmission type		COM2 (38,4 kBaud)				
IO-Link revision		1.1				
SDCI standard		IEC 61131-9 CDV				
Profiles		no profile				
SIO mode		yes				
Required master port class		A				
Process data analog		3				
Process data binary		2				
Min. process cycle time	[ms]	4.1				
Supported DeviceIDs		<table border="1"> <thead> <tr> <th>Type of operation</th> <th>DeviceID</th> </tr> </thead> <tbody> <tr> <td>default</td> <td>262</td> </tr> </tbody> </table>	Type of operation	DeviceID	default	262
Type of operation	DeviceID					
default	262					
Operating conditions						
Ambient temperature	[°C]	0...60				
Storage temperature	[°C]	-20...85				
Max. relative air humidity	[%]	90				
Protection		IP 65				
Tests / approvals						
EMC		DIN EN 61000-6-2				
		DIN EN 61000-6-3				
CPA approval	model number	002TG				
	accuracy class	-				
	maximum allowable error	$\pm 4 \% FS$				
	Q (min)	0,2 m ³ /h				
	Q (t)	-				
	Q (max)	75 m ³ /h				
Vibration resistance		DIN EN 68000-2-6 5 g (55...2000 Hz)				
MTTF	[years]	227				
Pressure equipment directive		sound engineering practice; can be used for group 2 fluids; group 1 fluids on request				

SD6000



Compressed air meter

SDR12DGXFPKG/US-100

Mechanical data	
Weight [g]	942.5
Material	PBT-GF20; NBR; PC; stainless steel (1.4301 / 304); PTFE; brass coated; FKM; aluminum powder-coated
Materials (wetted parts)	stainless steel (1.4301 / 304); FKM; ceramics glass passivated; PEEK GF30; polyester; aluminum
Tightening torque [Nm]	50
Process connection	threaded connection R 1/2 DN15

Displays / operating elements		
Display	Display unit	5 x LED, green (NI/min, Nm ³ /h, Nm/s, Nm ³ , °C)
	Function display	1 x LED, green
	Switching status	2 x LED, yellow
	Measured values	alphanumeric display, 4-digit
	Programming	alphanumeric display, 4-digit

Remarks	
Remarks	MW = Measured value
	MEW = Final value of the measuring range
	Measuring, display and setting ranges refer to standard volume flow according to DIN ISO 2533.
	For information about installation and operation please see the operating instructions.
Pack quantity	1 pcs.

Electrical connection

Connector: 1 x M12; coding: A



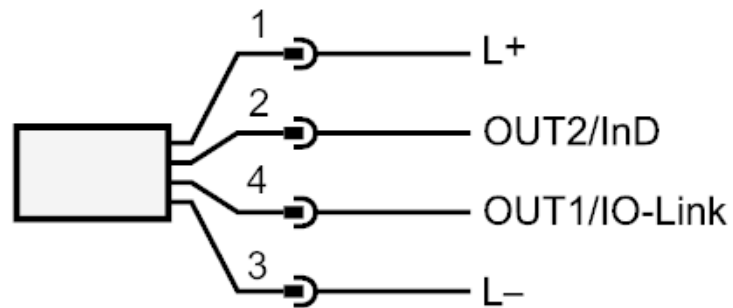
SD6000



Compressed air meter

SDR12DGXFPKG/US-100

Connection



OUT1/IO-Link: Switching output Volumetric flow quantity monitoring

Pulse output quantity meter

signal output Preset counter

OUT2/InD: Switching output Volumetric flow quantity monitoring / Temperature monitoring

analog output Volumetric flow quantity monitoring / Temperature monitoring

Input counter reset