

SI1002



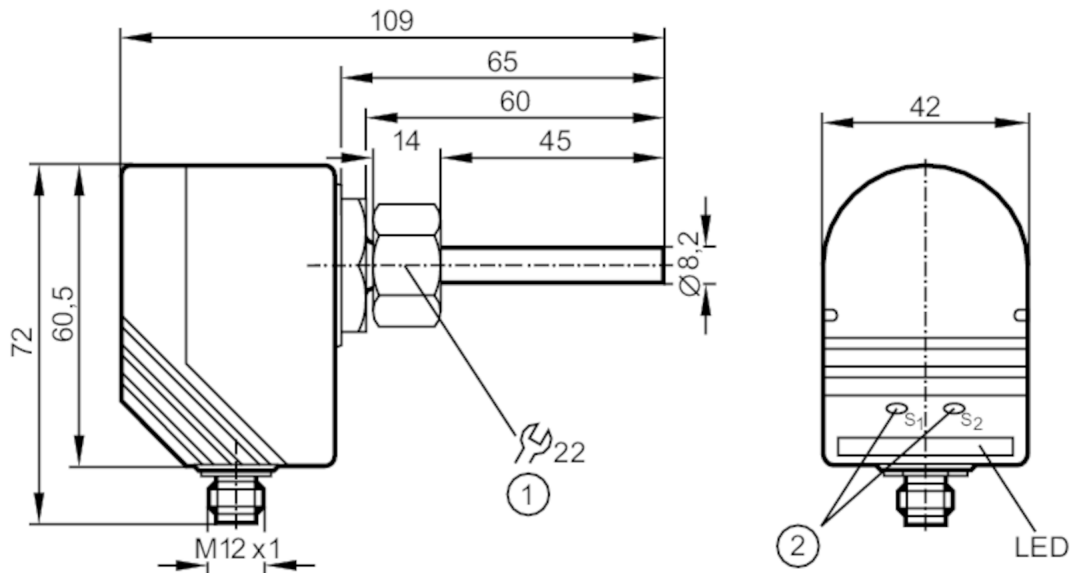
Flow monitor

SID10ADBFPKG/US-100-IPF

Article no longer available - archive entry

Alternative articles: SI5002

When selecting an alternative article and accessories please note that technical data may differ!



- 1 Internal thread M18 x 1.5
2 setting pushbuttons



Product characteristics

| | |
|------------------------------|------------------------------|
| Number of inputs and outputs | Number of digital outputs: 2 |
| Process connection | M18 x 1,5 Internal thread |

Application

| | |
|-------------------------|----------------|
| Media | Liquids; Gases |
| Medium temperature [°C] | -25...80 |
| Pressure rating [bar] | 300 |

Liquids

| | |
|-------------------------|----------|
| Medium temperature [°C] | -25...80 |
|-------------------------|----------|

Gases

| | |
|-------------------------|----------|
| Medium temperature [°C] | -25...80 |
|-------------------------|----------|

Electrical data

| | |
|-----------------------------|----------------------------|
| Operating voltage [V] | 20...36 DC; (to SELV/PELV) |
| Current consumption [mA] | < 90 |
| Reverse polarity protection | yes |
| Power-on delay time [s] | 15; (optically indicated) |

Inputs / outputs

| | |
|------------------------------|------------------------------|
| Number of inputs and outputs | Number of digital outputs: 2 |
|------------------------------|------------------------------|

SI1002



Flow monitor

SID10ADBFPKG/US-100-IPF

| Outputs | | |
|---|------------------|--|
| Total number of outputs | | 2 |
| Output signal | | switching signal |
| Electrical design | | PNP |
| Number of digital outputs | | 2 |
| Output function | | normally open / closed; (configurable) |
| Max. voltage drop switching output DC | [V] | 2.5 |
| Permanent current rating of switching output DC | [mA] | 250 |
| Short-circuit protection | | yes |
| Type of short-circuit protection | | yes (non-latching) |
| Overload protection | | yes |
| Measuring/setting range | | |
| Liquids | | |
| Setting range | [cm/s] | 3...300 |
| Greatest sensitivity | [cm/s] | 3...60 |
| Gases | | |
| Setting range | [cm/s] | 200...3000 |
| Greatest sensitivity | [cm/s] | 200...800 |
| Accuracy / deviations | | |
| Max. temperature gradient of medium | [K/min] | 300 |
| Reaction times | | |
| Response time | [s] | 1...10 |
| Liquids | | |
| Response time | [s] | 1...10 |
| Gases | | |
| Response time | [s] | 1...10 |
| Software / programming | | |
| Adjustment of the switch point | | pushbuttons |
| Operating conditions | | |
| Ambient temperature | [°C] | -25...80 |
| Protection | | IP 67 |
| Tests / approvals | | |
| Shock resistance | DIN IEC 68-2-27 | 50 g (11 ms) |
| Vibration resistance | DIN EN 60068-2-6 | 20 g (55...2000 Hz) |

SI1002



Flow monitor

SID10ADBFPKG/US-100-IPF

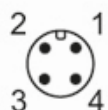
| Mechanical data | | |
|--------------------------|------|---|
| Dimensions | [mm] | M18 x 1.5 |
| Thread designation | | M18 x 1.5 |
| Material | | PBT-GF20 |
| Materials (wetted parts) | | stainless steel (1.4404 / 316L); O-ring: FPM 8 x 1,5 gr 80° Shore A |
| Process connection | | M18 x 1,5 Internal thread |

| Displays / operating elements | | |
|-------------------------------|----------|-----------------------|
| Display | Function | 10 x LED, three-color |

| Remarks | |
|---------------|--------|
| Pack quantity | 1 pcs. |

Electrical connection

Connector: 1 x M12; coding: A



Connection

