

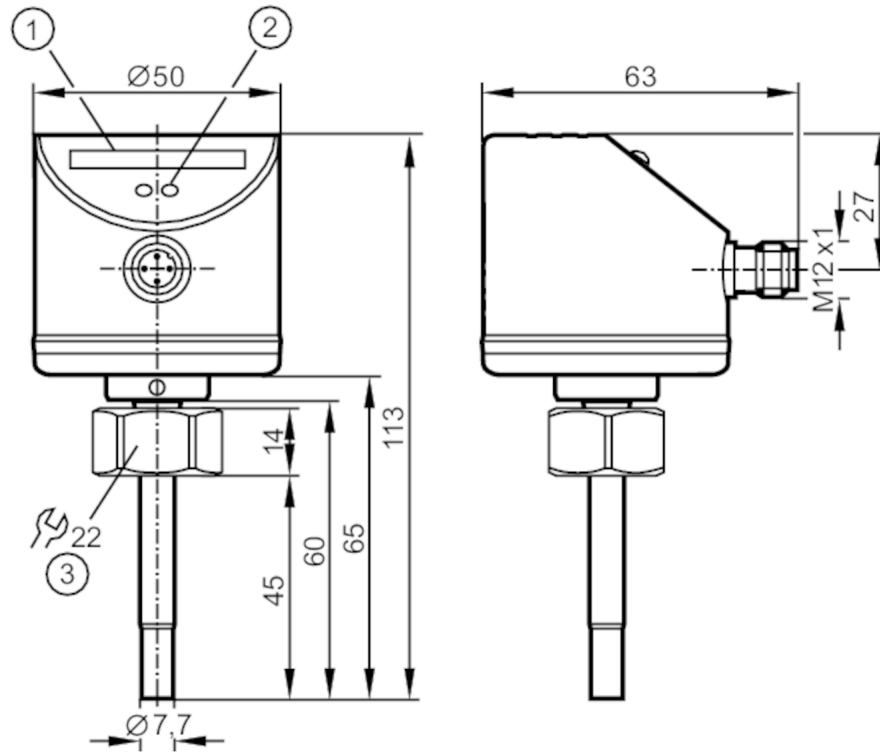
# SI5000



## Flow monitor

SID10ABBFPKG/US-100

Observe the changed pressure rating!



- 1 LED display
- 2 setting pushbutton
- 3 Tightening torque 25 Nm



### Product characteristics

|                              |                              |
|------------------------------|------------------------------|
| Number of inputs and outputs | Number of digital outputs: 1 |
| Process connection           | M18 x 1,5 Internal thread    |

### Application

|                         |                |
|-------------------------|----------------|
| Media                   | Liquids; Gases |
| Medium temperature [°C] | -25...80       |
| Pressure rating [bar]   | 30             |

### Liquids

|                         |          |
|-------------------------|----------|
| Medium temperature [°C] | -25...80 |
|-------------------------|----------|

### Gases

|                         |          |
|-------------------------|----------|
| Medium temperature [°C] | -25...80 |
|-------------------------|----------|

### Electrical data

|                             |            |
|-----------------------------|------------|
| Operating voltage [V]       | 19...36 DC |
| Current consumption [mA]    | < 60       |
| Protection class            | III        |
| Reverse polarity protection | yes        |
| Power-on delay time [s]     | 10         |

# SI5000



## Flow monitor

SID10ABBFPKG/US-100


| Inputs / outputs                                     |  |
|--|--|
| Number of inputs and outputs                         | Number of digital outputs: 1                                 |
| Outputs  |  |
| Total number of outputs                              | 1  |
| Output signal  | switching signal   |
| Electrical design                                    | PNP  |
| Number of digital outputs                            | 1  |
| Output function                                      | normally open / closed; (configurable)                       |
| Max. voltage drop switching output DC [V]            | 2.5  |
| Permanent current rating of switching output DC [mA] | 250  |
| Short-circuit protection                             | yes  |
| Type of short-circuit protection                     | yes (non-latching)   |
| Overload protection                                  | yes  |
| Measuring/setting range                              |  |
| Probe length L [mm]                                  | 45   |
| Liquids  |  |
| Setting range [cm/s]                                 | 3...300  |
| Greatest sensitivity [cm/s]                          | 3...100  |
| Gases  |  |
| Setting range [cm/s]                                 | 200...3000   |
| Greatest sensitivity [cm/s]                          | 200...800  |
| Accuracy / deviations                                |  |
| Repeatability [cm/s]                                 | 1...5  |
| Note on repeatability                                | for water 5...100 cm/s; 25 °C<br>Factory setting             |
| Temperature drift [cm/s x 1/K]                       | 0.1; (for water 5...100 cm/s; 10...70 °C)                    |
| Max. temperature gradient of medium [K/min]          | 300  |
| Switch point accuracy [cm/s]                         | ± 2...± 10; (for water 5...100 cm/s; 25 °C; Factory setting) |
| Hysteresis [cm/s]                                    | 2...5; (for water 5...100 cm/s; 25 °C; Factory setting)      |
| Reaction times                                       |  |
| Response time [s]                                    | 1...10   |
| Liquids  |  |
| Response time [s]                                    | 1...10   |
| Gases  |  |
| Response time [s]                                    | 1...10   |
| Software / programming                               |  |
| Adjustment of the switch point                       | pushbuttons  |

# SI5000



## Flow monitor

SID10ABBFPKG/US-100

| Operating conditions  |                           |   |
|---|---------------------------|---|
| Ambient temperature   | [°C]                      | -25...80  |
| Storage temperature   | [°C]                      | -25...100   |
| Protection  |                           | IP 67   |
| Tests / approvals   |                           |   |
| EMC   | EN 61000-4-2 ESD          | 4 kV CD / 8 kV AD   |
|   | EN 61000-4-3 HF radiated  | 10 V/m  |
|   | EN 61000-4-4 Burst        | 2 kV  |
|   | EN 61000-4-6 HF conducted | 10 V  |
| Shock resistance  | DIN IEC 68-2-27           | 50 g (11 ms)  |
| Vibration resistance  | DIN EN 60068-2-6          | 20 g (55...2000 Hz)   |
| MTTF  | [years]                   | 298   |
| Mechanical data   |                           |   |
| Weight  | [g]                       | 246   |
| Dimensions  | [mm]                      | M18 x 1.5   |
| Thread designation  |                           | M18 x 1.5   |
| Material  |                           | stainless steel (1.4404 / 316L); stainless steel (1.4310 / 301); PC; PBT-GF20; EPDM/X |
| Materials (wetted parts)  |                           | stainless steel (1.4404 / 316L); O-ring: FKM 80 Shore A                               |
| Process connection  |                           | M18 x 1,5 Internal thread   |
| Displays / operating elements   |                           |   |
| Display   | Function                  | 10 x LED, three-color   |
| Remarks   |                           |   |
| Pack quantity   |                           | 1 pcs.  |
| Electrical connection   |                           |   |
| Connector: 1 x M12; coding: A   |                           |   |
|  |                           |   |

# SI5000

## Flow monitor

SID10ABBFPKG/US-100



### Connection

