

IM5067



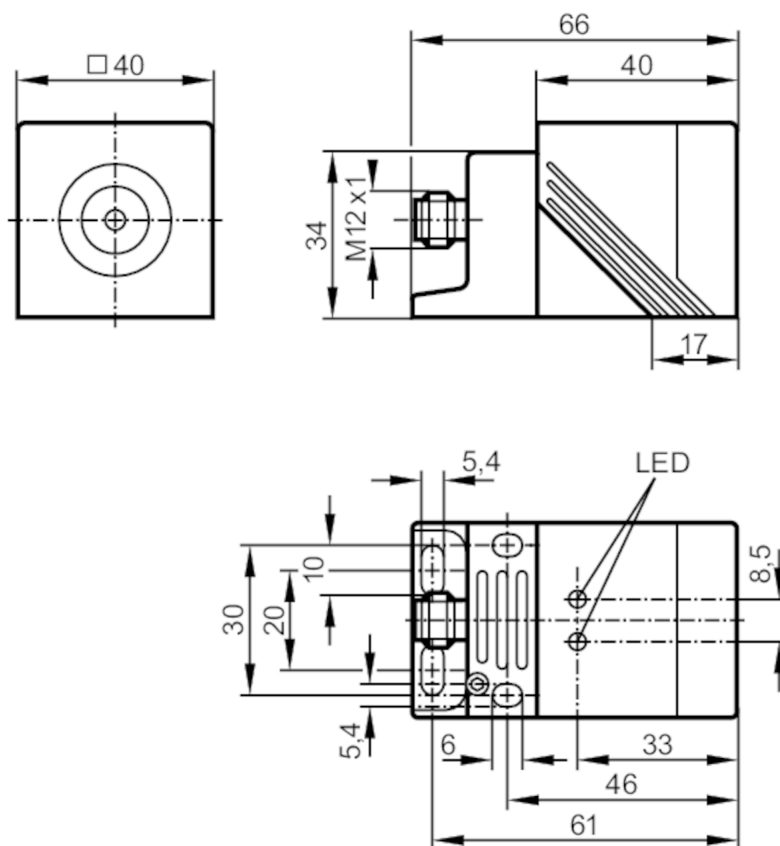
Inductive sensor

IMC4020BCPKG/K1/US-100-DPA

Article no longer available - archive entry

Alternative articles: IM5132

When selecting an alternative article and accessories please note that technical data may differ!



Product characteristics

Electrical design	PNP
Output function	complementary
Sensing range [mm]	20
Housing	rectangular
Dimensions [mm]	40 x 40 x 66

Application

System	gold-plated contacts; correction factor = 1
--------	---

Electrical data

Operating voltage [V]	10...36 DC
Current consumption [mA]	20; (24 V)
Protection class	II
Reverse polarity protection	yes

IM5067



Inductive sensor

IMC4020BCPKG/K1/US-100-DPA

Outputs		
Electrical design		PNP
Output function		complementary
Max. voltage drop switching output DC	[V]	2.5
Permanent current rating of switching output DC	[mA]	250
Switching frequency DC	[Hz]	200
Short-circuit protection		yes
Type of short-circuit protection		yes (non-latching)
Overload protection		yes
Monitoring range		
Sensing range	[mm]	20
Real sensing range Sr	[mm]	20 ± 10 %
Operating distance	[mm]	0...16.2
Accuracy / deviations		
Correction factor		steel: 1 / stainless steel: 1.1 / brass: 1.1 / aluminum: 1.1 / copper: 1.1
Hysteresis	[% of Sr]	3...15
Switch-point drift	[% of Sr]	-10...10
Correction factor = 1		yes
Operating conditions		
Ambient temperature	[°C]	-25...70
Protection		IP 67
Tests / approvals		
EMC	EN 60947-5-2	
	EN 55011	class B
Mechanical data		
Housing		rectangular
Mounting		flush mountable
Dimensions	[mm]	40 x 40 x 66
Material		housing: PPE; sensing face: PPE; end cap: PPS; clamp: PPS
Displays / operating elements		
Display	Switching status	1 x LED, yellow
	Power	1 x LED, green
Accessories		
Items supplied	Mounting bracket:	1
	Allen key:	1
Remarks		
Pack quantity		1 pcs.
Electrical connection - plug		
Connector: 1 x M12; Contacts: gold-plated		

IM5067



Inductive sensor

IMC4020BCPKG/K1/US-100-DPA



Connection

