

OB5026



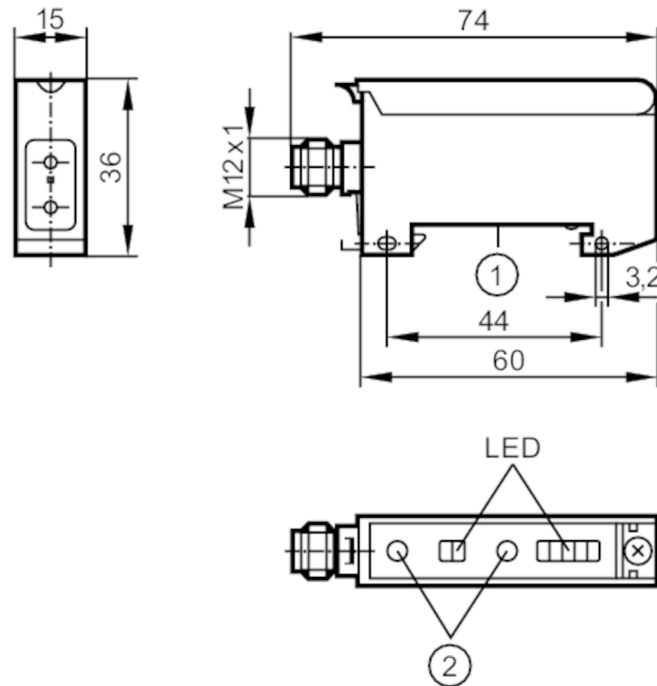
Fiber-optic amplifier

OBF-FPKG/T/US

Article no longer available - archive entry

Alternative articles: OBF504

When selecting an alternative article and accessories please note that technical data may differ!



- 1 Mounting on DIN rail
- 2 setting pushbuttons

Product characteristics

Type of light	red light
Housing	rectangular

Application

System	Function check output
Design	for fibers with metal sheath FE/FT-50

Electrical data

Operating voltage	[V]	10...36 DC
Current consumption	[mA]	< 35
Protection class		III
Reverse polarity protection		yes
Type of light		red light
Wave length	[Nm]	660

OB5026



Fiber-optic amplifier

OBF-FPKG/T/US

Outputs		
Electrical design	PNP	
Output function	light-on/dark-on mode; (configurable)	
Max. voltage drop switching output DC [V]	2.5	
Function check output	yes	
Max. voltage drop of function check output [V]	3.5	
Max. current load for function check output [mA]	10	
Permanent current rating of switching output DC [mA]	100	
Switching frequency DC [Hz]	500	
Short-circuit protection	yes	
Type of short-circuit protection	yes (non-latching)	
Overload protection	yes	
Time function [s]	0.002...0.09	
Monitoring range		
Range [m]	0...1; (Through-beam sensor)	
Range [mm]	0...150; (Diffuse reflection sensor)	
Range adjustable	yes	
Operating conditions		
Ambient temperature [°C]	-25...60	
Protection	IP 65	
Tests / approvals		
EMC	EN 60947-5-2	
Mechanical data		
Housing	rectangular	
Dimensions [mm]	36 x 15 x 60	
Material	ABS	
Lens material	PMMA	
Displays / operating elements		
Display	Switching status	1 x LED, yellow
	Power	1 x LED, green
	Unsafe zone	1 x LED, red
	Excess gain	4 x LED, green
Remarks		
Remarks	light-on mode corresponds to the NC output function for through-beam fibers corresponds to the NO output function for diffuse-reflection fibers dark-on mode corresponds to the NO output function for through-beam fibers corresponds to the NC output function for diffuse-reflection fiber optics	
Pack quantity	1 pcs.	
Electrical connection		
Connector: 1 x M12		

OB5026

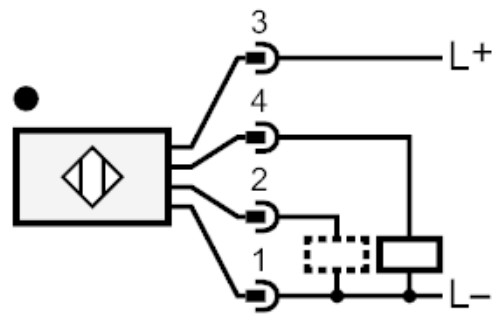
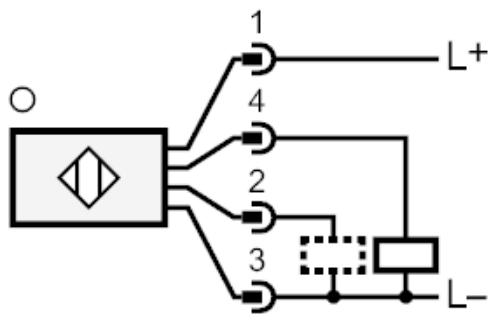


Fiber-optic amplifier

OBF-FPKG/T/US



Connection



2

Function check output