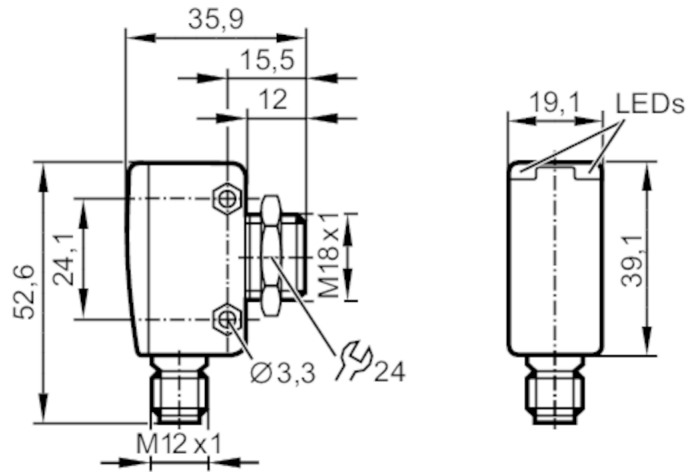




Diffuse reflection sensors with background suppression

OGH-HPKG/US/CUBE/200MM



transmitter in lower lens
Receiver in upper lens



Product characteristics

Type of light	red light
Housing	rectangular with M18 thread

Application

System	Background suppression
Function principle	Diffuse reflection sensor

Electrical data

Operating voltage	[V]	10...30 DC; (cULus - Class 2 source required)
Rated insulation voltage	[V]	32
Current consumption	[mA]	25
Protection class		III
Reverse polarity protection		yes
Max. power-on delay time	[ms]	300
Type of light		red light
Wave length	[nm]	645

Outputs

Electrical design		PNP
Output function		light-on mode
Max. voltage drop switching output DC	[V]	2.5
Permanent current rating of switching output DC	[mA]	200
Switching frequency DC	[Hz]	1000
Short-circuit protection		yes
Type of short-circuit protection		yes (non-latching)



Diffuse reflection sensors with background suppression

OGH-HPKG/US/CUBE/200MM

Monitoring range	
Range	[mm] < 200; (white paper 200 x 200 mm 90 % remission)
Range on white object (90 % remission)	[mm] < 200
Range on grey object (18 % remission)	[mm] < 200
Range on black object (6 % remission)	[mm] < 190
Range adjustable	no
Max. light spot diameter	[mm] 13
Light spot dimensions refer to	at maximum range
Background suppression available	yes

Interfaces		
Communication interface	IO-Link	
Transmission type	COM2 (38,4 kBaud)	
IO-Link revision	1.1	
SDCI standard	IEC 61131-9	
Profiles	Measuring Sensor, Identification and Diagnosis, Switching Signal Channel, Teach Channel	
SIO mode	yes	
Required master port class	A	
Min. process cycle time	[ms] 10	
IO-Link process data (cyclical)	Function	bit length
	process value	16
	device status	4
IO-Link functions (acyclical)	binary switching information	1
	application specific tag; operating hours counter; switching cycles counter	
Supported DeviceIDs	Type of operation	DeviceID
	default	1132
Note	For further information please see the IODD PDF file at "Downloads"	

Operating conditions	
Ambient temperature	[°C] -25...60
Storage temperature	[°C] -40...60
Protection	IP 65; IP 67

Tests / approvals		
EMC	EN 60947-5-2	
MTTF	[years] 782	
UL approval	Ta	-25...60 °C
	Enclosure type	Type 1
	voltage supply	Class 2
	File number UL	E174191

OGH281



Diffuse reflection sensors with background suppression

OGH-HPKG/US/CUBE/200MM

Mechanical data	
Weight [g]	58.5
Housing	rectangular with M18 thread
Dimensions [mm]	52.6 x 19.1 x 35.9
Thread designation	M18 x 1
Material	diecast zinc; PEI
Lens material	PEI
Lens alignment	Side sensing

Displays / operating elements		
Display	Switching status	1 x LED, yellow
	Power	1 x LED, green

Accessories	
Items supplied	lock nut: 1 x

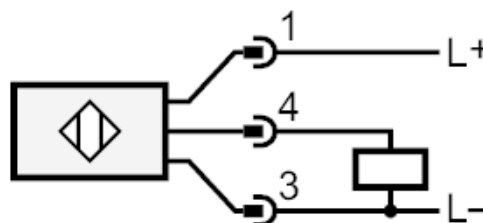
Remarks	
Pack quantity	1 pcs.

Electrical connection

Connector: 1 x M12; coding: A



Connection





Diffuse reflection sensors with background suppression

OGH-HPKG/US/CUBE/200MM

Other data

Repeatability / precision: 6 σ

	Repeatability of the measured values	
Abstand	white (90 % remission)	black (6 %...90 % remission)
20 mm	0.5 mm	1.0 mm
50 mm	0.8 mm	2.0 mm
100 mm	1.5 mm	4.5 mm
150 mm	3.0 mm	9.0 mm
200 mm	6.0 mm	20.0 mm
	Accuracy	
Abstand	white (90 % remission)	black (6 %...90 % remission)
20 mm	± 2.0 mm	± 2.5 mm
50 mm	± 3.5 mm	± 4.5 mm
100 mm	± 6.0 mm	± 7.5 mm
150 mm	± 7.5 mm	± 11.0 mm
200 mm	± 10.0 mm	± 17.0 mm
The values apply at		
Extraneous light on the object	< 10 klx	
constant ambient conditions	23 °C / 960 hPa	
minimum power-on time in minutes	10	