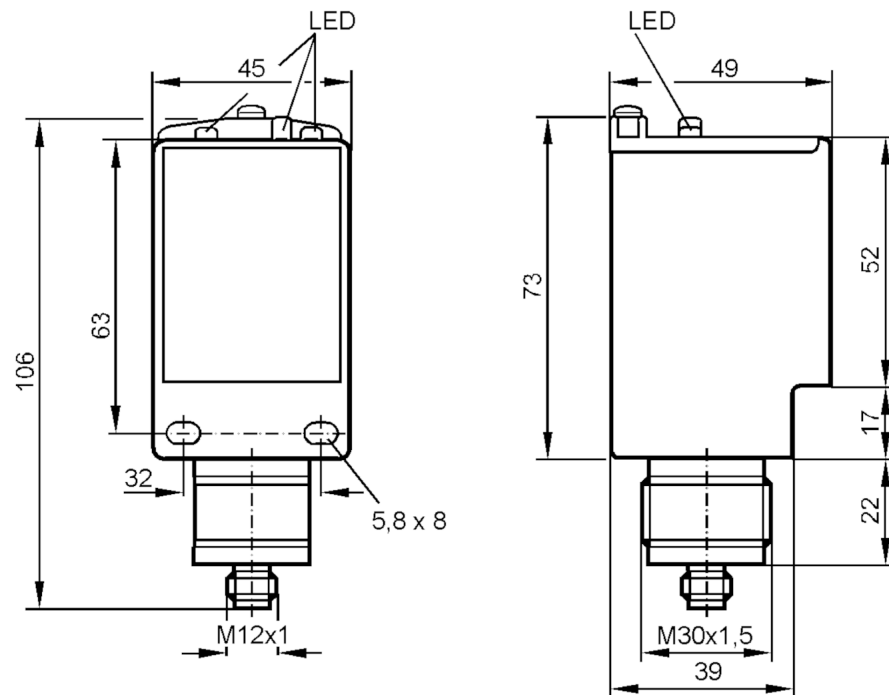


OM5004



Diffuse reflection sensor

OMT-FCKG/US-100



Receiver in lower lens
Transmitter in upper lens



Product characteristics

Type of light	Infrared light
Housing	rectangular

Application

Function principle	Diffuse reflection sensor
--------------------	---------------------------

Electrical data

Operating voltage	[V]	10...30 DC
Current consumption	[mA]	< 80
Protection class		II
Reverse polarity protection		yes
Type of light		Infrared light
Wave length	[nm]	880
Typ. lifetime	[h]	50000
Reference temperature for service life	[°C]	25

OM5004



Diffuse reflection sensor

OMT-FCKG/US-100

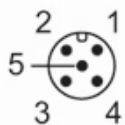
Outputs		
Electrical design	PNP/NPN	
Output function	light-on/dark-on mode; (programmable)	
Max. voltage drop switching output DC [V]	2	
Max. voltage drop of function check output [V]	2	
Max. current load for function check output [mA]	100	
Permanent current rating of switching output DC [mA]	100	
Switching frequency DC [Hz]	500	
Short-circuit protection	yes	
Type of short-circuit protection	yes (non-latching)	
Overload protection	yes	
Monitoring range		
Range [mm]	< 3500	
Range adjustable	yes	
Reaction times		
Response time [s]	< 1	
Operating conditions		
Ambient temperature [°C]	-25...40	
Protection	IP 67	
Tests / approvals		
EMC	IEC 1000-4-2/3/4/5/6	
Mechanical data		
Weight [g]	190	
Housing	rectangular	
Dimensions [mm]	73 x 45 x 49	
Material	ABS reinforced glass-fiber	
Lens material	PMMA	
Lens alignment	Side sensing	
Displays / operating elements		
Display	Switching status	1 x LED, yellow
	Power	1 x LED, green
	Function	1 x LED, red
Remarks		
Notes	Article to be discontinued	
Pack quantity	1 pcs.	
Electrical connection		
Connector: 1 x M12; coding: A; Locking: aluminum, transparent anodized		

OM5004

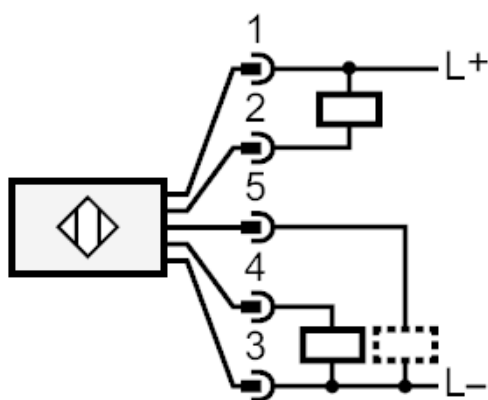


Diffuse reflection sensor

OMT-FCKG/US-100



Connection



5

Function check output