

AC042A



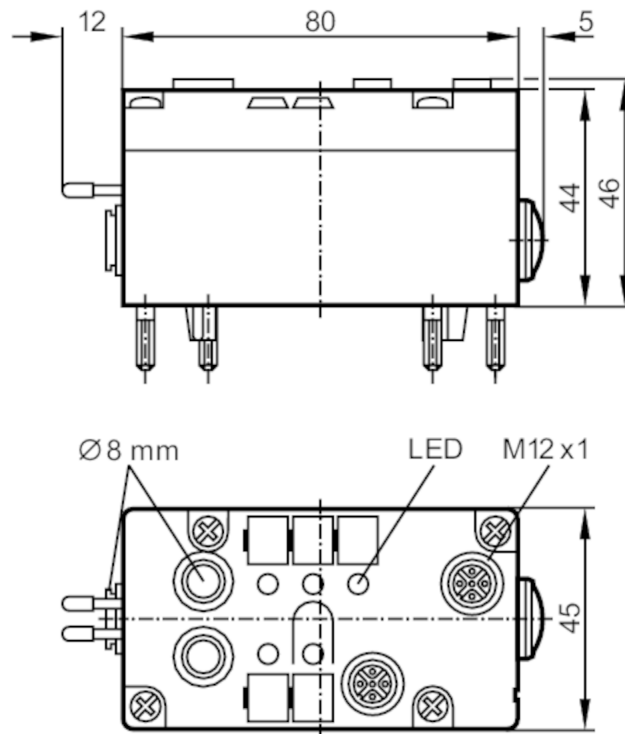
AS-Interface Airbox

Airbox 2DI 1PO M12 II 3D

Article no longer available - archive entry

Alternative articles: AC542A + E7000A

When selecting an alternative article and accessories please note that technical data may differ!



Electrical data

Operating voltage	[V]	26.5...31.6 DC
Max. current consumption from AS-i	[mA]	170
Integrated watchdog		yes

Inputs / outputs

Number of inputs and outputs	Number of digital inputs: 4; Number of pneumatic outputs: 2
------------------------------	---

Inputs

Number of digital inputs	4; (2 x 2)
Input circuit of digital inputs	PNP
Sensor supply of the inputs	AS-i
Voltage supply	[V] 20...30
Max. total current rating of inputs	[mA] 100
Input current High	[mA] > 3
Input current low	[mA] < 1.5
Switching level high	[V] > 10
Digital inputs protected against short circuits	yes

AC042A



AS-Interface Airbox

Airbox 2DI 1PO M12 II 3D

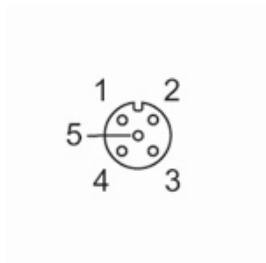
Outputs					
Electrical design	AS-i				
Number of pneumatic outputs	2				
Operating conditions					
Ambient temperature [°C]	0...40				
Note on ambient temperature	with special compressed air treatment: < 0 °C				
Protection	IP 65				
Tests / approvals					
ATEX marking	II 3D T 65 °C IP 65 X				
EMC	EN 50295				
AS-i classification					
AS-i profile	S-7.F				
AS-i I/O configuration [hex]	7				
AS-i ID code [hex]	F				
AS-i certificate pending	yes				
Data bits	Data bit	D0	D1	D2	D3
	Socket	I-1/2	I-1/2	I-3/4 + O-3	I-3/4 + O-4
	Pin	4	2	4	4
Mechanical data					
Type of mounting	screw mounting				
Material	PBT				
Pneumatic system	2 x 3/2-way seat valves				
Operating pressure range [bar]	2...8				
Operating pressure range [MPa]	0.2...0.8				
Note on working pressure range	incl. possible pressure peaks				
Air flow at 6/5 bar [l/min]	350				
Air flow at 6/0 bar [l/min]	550				
Permissible compressed air	filtered (5 µm); lubricated (ISO-VG10) or not lubricated				
Tube fittings	Legris LF 3000/8				
Exhaust	integrated exhaust				
Displays / operating elements					
Display	Power	LED, green			
	Function	LED, yellow			
Accessories					
Accessories (optional)	Module lower part:, AC5000				
Remarks					
Remarks	Use M12 connectors with hexagon nuts, tightening torque 0.8 Nm.				
Pack quantity	1 pcs.				
Electrical connection					
Connector: M12					

AC042A



AS-Interface Airbox

Airbox 2DI 1PO M12 II 3D



	Inputs
1	Sensor supply L+
2	Data input I2/I4
3	Sensor supply L-
4	Data input I1/I3