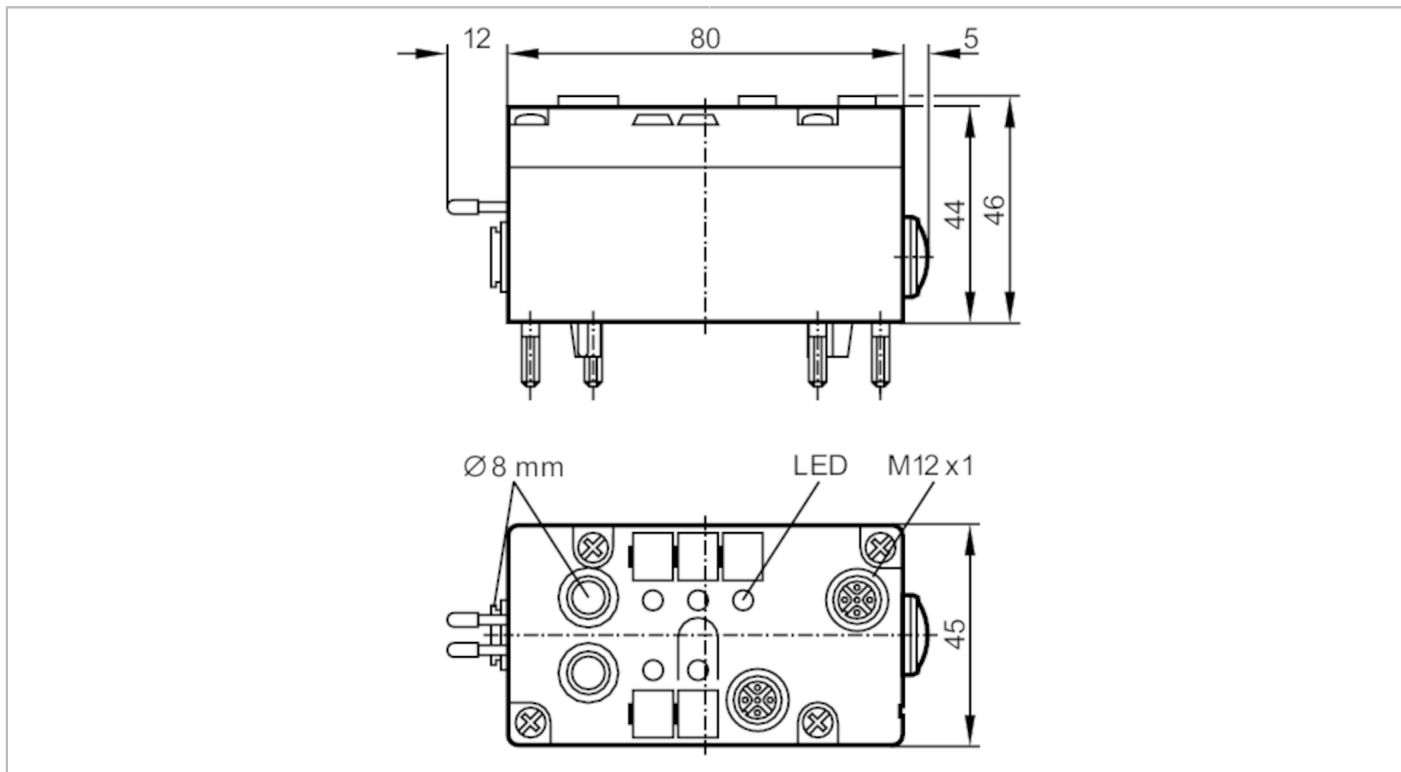


AC2024



AS-Interface Airbox

AirBox 2DI 2PO M12



Application	
Application	field installation
Electrical data	
Operating voltage [V]	26.5...31.6 DC
Max. current consumption from AS-i [mA]	150
Integrated watchdog	yes
Inputs / outputs	
Number of inputs and outputs	Number of digital inputs: 2; Number of pneumatic outputs: 2
Inputs	
Number of digital inputs	2
Input circuit of digital inputs	PNP
Sensor supply of the inputs	AS-i
Voltage supply [V]	20...30
Max. total current rating of inputs [mA]	100
Input current High [mA]	> 3
Input current low [mA]	< 1.5
Switching level high [V]	> 10
Digital inputs protected against short circuits	yes



AS-Interface Airbox

AirBox 2DI 2PO M12

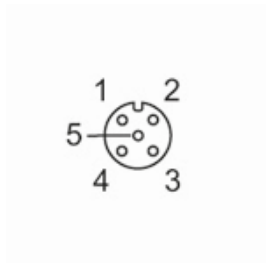
Outputs					
Number of pneumatic outputs	2				
Actuator supply outputs	AS-i				
Operating conditions					
Ambient temperature [°C]	0...55				
Note on ambient temperature	with special compressed air treatment: < 0 °C				
Protection	IP 65				
Tests / approvals					
EMC	EN 50295				
AS-i classification					
Extended addressing mode	no				
AS-i profile	S-3.F				
AS-i I/O configuration [hex]	3				
AS-i ID code [hex]	F				
AS-i certificate	10501				
Data bits	Data bit	D0	D1	D2	D3
	Inputs / outputs	I-1	I-2	O-3	O-4
Mechanical data					
Weight [g]	253.5				
Type of mounting	screw mounting				
Dimensions [mm]	45 x 80 x 46				
Material	PBT				
Pneumatic system	2 x 3/2-way seat valves				
Operating pressure range [bar]	2...8				
Operating pressure range [MPa]	0.2...0.8				
Note on working pressure range	incl. possible pressure peaks				
Air flow at 6/5 bar [l/min]	350				
Air flow at 6/0 bar [l/min]	550				
Permissible compressed air	filtered (5 µm); lubricated (ISO-VG10) or not lubricated				
Tube fittings	Legris LF 3000/8				
Exhaust	integrated exhaust				
Displays / operating elements					
Display	Power	LED, green			
	Function	LED, yellow			
Electrical connection					
Module connection	Flachkabel				
Remarks					
Remarks	Please see the notes on compressed air and EMC/ESD under "Downloads"				
Pack quantity	1 pcs.				
Electrical connection					
contact pins to module lower part, FK / PG:					
Connector: M12; coding: A					

AC2024



AS-Interface Airbox

AirBox 2DI 2PO M12



	Inputs
1	Sensor supply L+
2+4	Data input internally bridged
3	Sensor supply L-