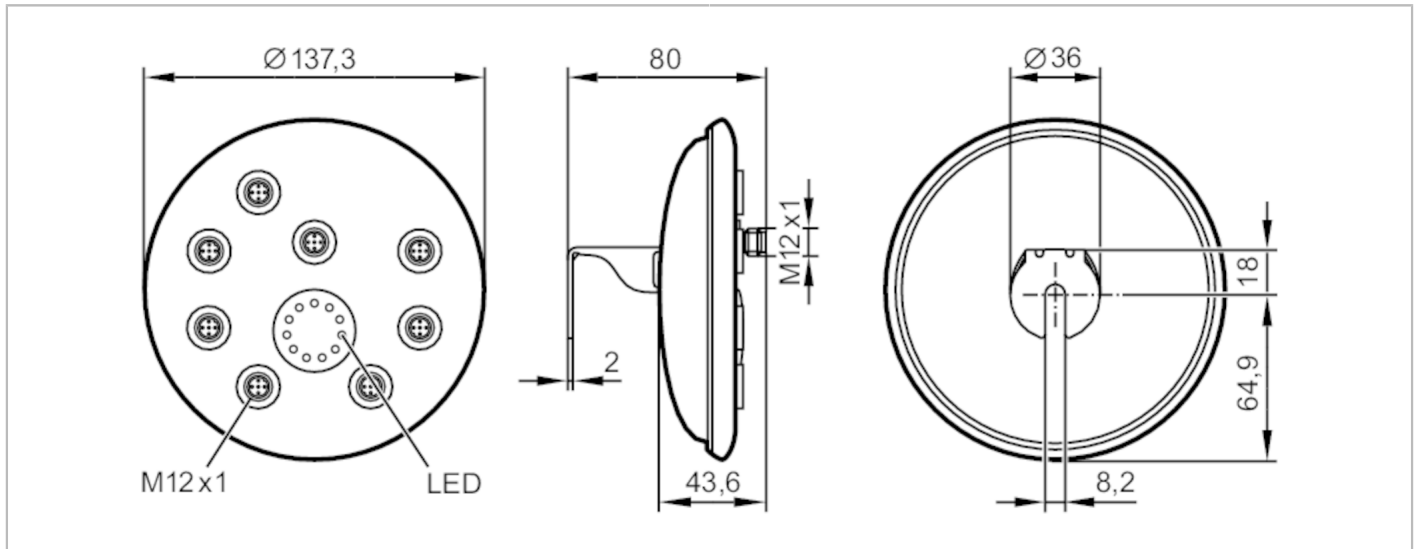


# AC2904



## AS-Interface ProcessLine module

ProcessLine 4DI 3DOT IP69K



Application	
Application	sanitary and wet areas in the food industry
Electrical data	
Operating voltage [V]	26.5...31.6 DC
Max. current consumption from AS-i [mA]	240
Additional voltage supply [V]	20...30 DC; (AUX)
Max. current consumption from additional supply [mA]	2100; (AUX)
Integrated watchdog	yes
Inputs / outputs	
Number of inputs and outputs	Number of digital inputs: 4; Number of digital outputs: 3
Inputs	
Number of digital inputs	4
Input circuit of digital inputs	PNP; (type 2 according to IEC 61131-2)
Sensor supply of the inputs	AS-i
Voltage supply [V]	18...30
Max. total current rating of inputs [mA]	200
Input current High [mA]	6...10
Input current low [mA]	0...2
Switching level high [V]	> 11
Digital inputs protected against short circuits	yes

# AC2904



## AS-Interface ProcessLine module

ProcessLine 4DI 3DOT IP69K

Outputs					
Number of digital outputs	3				
Circuit	PNP				
Voltage range DC [V]	20...30; (AUX)				
Max. current load per output [mA]	700; (utilization category DC-13 (control of electromagnets): 20 W (IEC 60947-5-1))				
Max. current load outputs total [A]	2.1				
Short-circuit proof	yes				
Electrically separated	yes				
Operating conditions					
Ambient temperature [°C]	-5...70				
Protection	IP 68; IP 69K				
Tests / approvals					
EMC	EN 62026-2				
	EN 61000-6-2				
MTTF [years]	160				
AS-i classification					
AS-i version	2.1				
Extended addressing mode	yes				
AS-i profile	S-7.A.E				
AS-i I/O configuration [hex]	7				
AS-i ID code [hex]	A.E				
AS-i certificate	101107				
Data bits	Data bit	D0	D1	D2	D3
	Input	1	2	3	4
	Socket	I-1/2	I-1/2 I-2	I-3/4	I-3/4 I-4
	Pin	4	2 4	4	2 4
	Output	1	2	3	-
	Socket	O-1	O-2	O-3	-
	Pin	4	4	4	-
Mechanical data					
Weight [g]	632				
Dimensions [mm]	Ø 137.3 / L = 80				
Material	threaded bush: stainless steel (1.4404 / 316L); PC; O-ring: EPDM				
Displays / operating elements					
Display	Power	LED, green			
	errors	LED, red			
	Function	LED, yellow			
Electrical connection					
Module connection	M12				
Accessories					
Accessories (optional)	Torque wrench:, E70390				
	Protective cap: M12, E70297				
	Flat cable splitter box:, E70354				

# AC2904



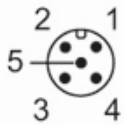
## AS-Interface ProcessLine module

ProcessLine 4DI 3DOT IP69K

Remarks	
Remarks	Inputs and outputs must be electrically isolated.
	Do not connect any of the following points to an external potential: I-, I+, I-1/2, I-2, I-3/4, I-4
	The connections are electrically connected with the AS-i cable.
	The round cable connected to AS-i/AUX should not be longer than 2m.
Pack quantity	1 pcs.

### Electrical connection - AS-i

Connector: M12; coding: A; Tightening torque: 1.2...1.4 Nm



1	AS-i+
2	0 V AUX -
3	AS-i -
4	+24 V AUX +
5	functional earth FE

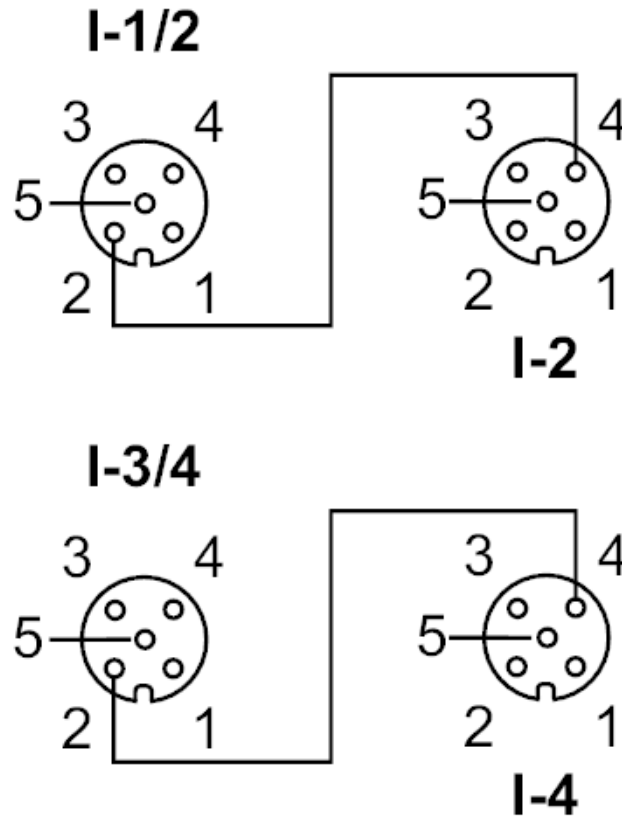


## AS-Interface ProcessLine module

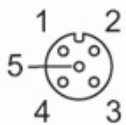
ProcessLine 4DI 3DOT IP69K

### Electrical connection - Inputs

#### Connection



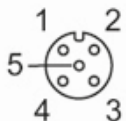
Connector: M12; coding: A; Tightening torque: 1.2...1.4 Nm



- 1 Sensor supply L+
- 3 Sensor supply L-
- 5 functional earth

### Electrical connection - Outputs

Connector: M12; coding: A; Tightening torque: 1.2...1.4 Nm



# AC2904



## AS-Interface ProcessLine module

ProcessLine 4DI 3DOT IP69K

- |   |                        |
|---|------------------------|
| 3 | External voltage AUX - |
| 4 | Switching output       |
| 5 | functional earth FE    |