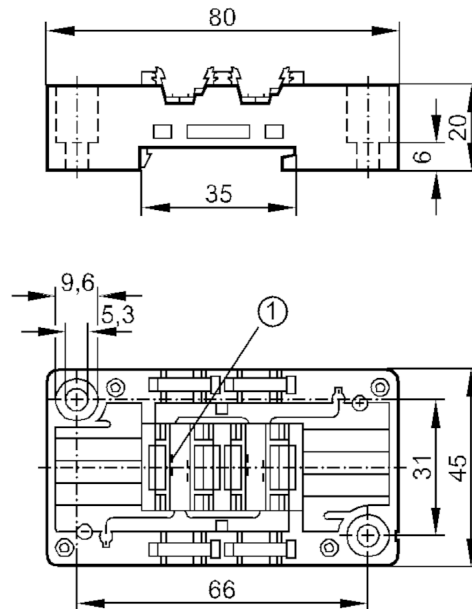


AC5003



Lower part for AS-Interface module

MODULE LOWER PART



1 contact pins



Electrical data

Operating voltage	[V]	26.5...31.6 DC
Additional voltage supply	[V]	24 DC

Outputs

Electrical design	AS-i
Contact rating	< 2 A

Operating conditions

Ambient temperature	[°C]	-25...85
Protection	IP 67; (depending on the upper part used: IP 20 / IP 65 / IP 67)	

Mechanical data

Weight	[g]	59.5
Type of mounting	Mounting on DIN rail and panel	
Dimensions	[mm]	45 x 80 x 20
Material	PBT	

Remarks

Pack quantity	1 pcs.
---------------	--------

Electrical connection

contact pins in module upper part :
quick mounting technology for AS-i flat cable: