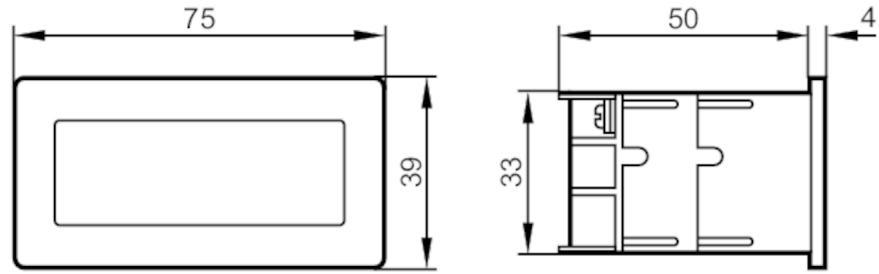


E89150



LC display

LC-DISPLAY



panel cutout 68 x 33 mm to DIN



Product characteristics

Housing	Housing for panel mounting
Dimensions [mm]	39 x 75 x 54

Application

Application	scalable display for sensors with analog output
-------------	---

Inputs / outputs

Number of inputs and outputs	Number of analog inputs: 1
------------------------------	----------------------------

Inputs

Number of analog inputs	1
Analog input (voltage) [V]	10...50

Operating conditions

Ambient temperature [°C]	0...60
Protection	IP 65; (mounted with washer)

Mechanical data

Weight [g]	120
Housing	Housing for panel mounting
Dimensions [mm]	39 x 75 x 54
Material	plastics

E89150



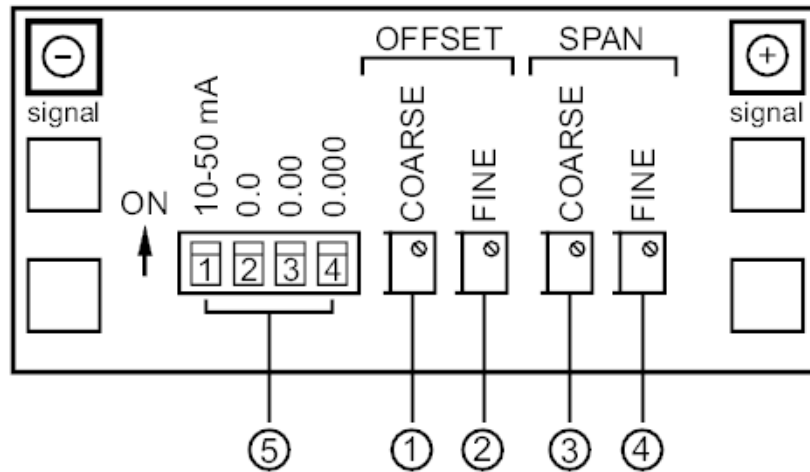
LC display

LC-DISPLAY

Electrical connection

terminals: ...2.5 mm²

Connection



- 1 potentiometer
- 2 zero point adjustment coarse
- 3 zero point adjustment fine
- 4 Display range coarse
- 5 Display range fine
- DIP switch
- 5 decimal point , Input 10...50mA