



JOUCOMATIC

PROPORTIONAL VALVES
SENTRONIC - G1/8 to G1 tapped body

3 ports
Series
601

GENERAL

Fluid Air or neutral gas, filtered at 50 µm, without condensate, lubricated or not
Maximum allowable pressure (MAP) 2 to 25 bar
Control range 0-0,1 bar to 0-20 bar
Fluid temperature 0°C to +60°C (+50°C in G1/8)
Ambient temperature 0°C to +40°C
Flow (Qv at 6 bar) 210 to 5600 l/min (ANR)
Setpoint - analog 0 - 10 V (0 - 20 mA or 4 - 20 mA as option)
- digital (option) 8 bits + memory function
8 bits + pressure reset
Hysteresis < 1% of span
Linearity < 0,5% of span
Repeatability < 0,5% of span
Minimum setpoint 50 ± 20 mV (0,1 mA) with shutoff function

OPERATING DIAGRAM: see page 2

CONSTRUCTION

Body brass (G1/8) - anodised aluminium (G1/4 to G1)
Internal parts stainless steel and brass
Seals FPM (fluoroelastomer) (G1/8)
NBR (nitrile) (G1/4 to G1)



C

ELECTRICAL CHARACTERISTICS

Table with 7 columns: nominal diameter DN (mm), stabilised voltage (1), max. power (W), max. current (2) (mA), insulation class, degree of protection, electrical connection.

(1) Max. ripple: 10 % (2) Max. current consumption in highest control range version

SPECIFICATIONS

Table with 7 columns: Ø connection, Ø orifice (mm), Kv coefficient, flow at 6 bar (l/min) (ANR), control range (bar), maximum allowable pressure (MAP) (bar), catalogue number.

OPTIONS

- Analog setpoint 0 - 20 mA (sensitivity < 0,1 mA - impedance 500 Ω) cat. no.: 010713
Analog setpoint 4 - 20 mA (sensitivity < 0,1 mA - impedance 500 Ω) cat. no.: 910507
Optional ramp cat. no.: 010610
Digital setpoint (8 bits + memory function) cat. no.: 010537
Digital setpoint (8 bits + pressure reset) cat. no.: 010606
Sensor output 0 - 20 mA (0 - 10 V standard version) cat. no.: 010538
Sensor output 4 - 20 mA (0 - 10 V standard version) cat. no.: 010616
Pressure switch / SENTRONIC: (PNP) reference 24 V = if setting is reached cat. no.: 010579
Pressure switch / SENTRONIC: (NPN) ground reference if setting is reached cat. no.: 010539
Pressure switch / SENTRONIC: (PNP) reference 24 V = if setting is not reached cat. no.: 010612
Pressure switch / SENTRONIC: (NPN) ground reference if setting is not reached cat. no.: 010613
SENTRONIC pneumatic servovalve with external pressure sensor (consult us)

- Metallic sensor cat. no.: 010607
FPM seals (except G1/8) cat. no.: 460594
Oxygen application cat. no.: 970518

00245GB-2005/R01 Availability, design and specifications are subject to change without notice. All rights reserved.

All leaflets are available on: www.asconumatics.com

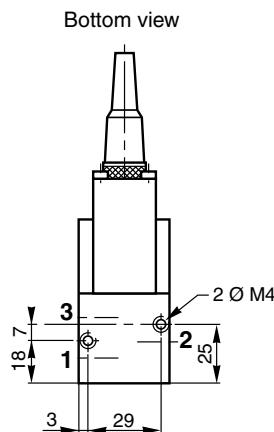
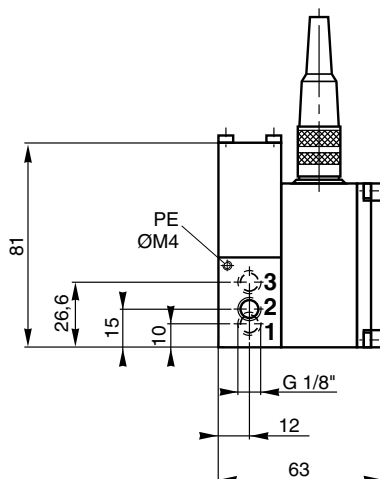
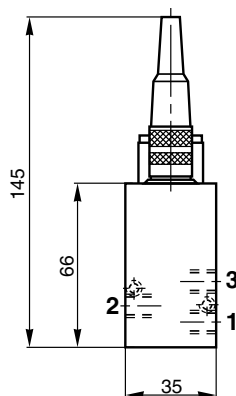
Pneutrol International Ltd are Platinum Distributors for ASCO Numatics

P300-1

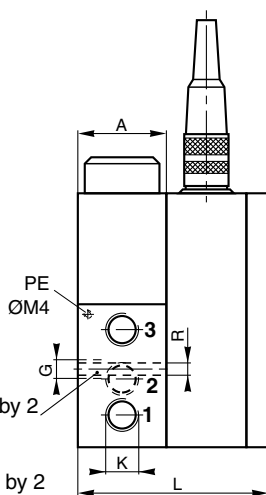
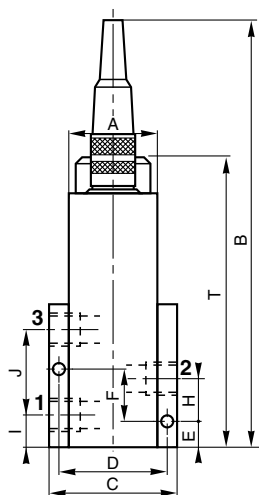
Contact us : 5 Caulside Drive, Antrim, Northern Ireland, BT41 2DU www.valves-direct.com sales@pneutrol.com Tel: +44 (0) 28 9448 1800

DIMENSIONS (mm), WEIGHT (kg)

G 1/8
weight: 0,65 kg

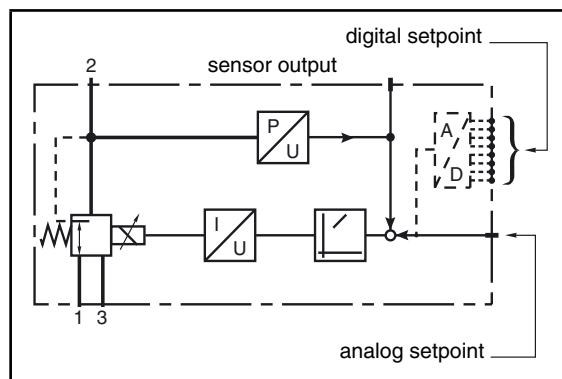


G 1/4 to G 1



- Rear mounting by 2 tapped holes Ø G depth S
- Front mounting by 2 holes Ø R

OPERATING DIAGRAM

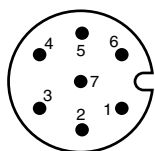


Ø nominal	A	B	C	D	E	F	G	H	I	J	K	L	R	S	T	weight
6	36	175	52	43	10	20	M6	16	11	34,3	G 1/4	74	4	10	105	0,950
12	45	205	70	57,5	12	28	M6	22,5	15	48,5	G 1/2	93	4	10	136	1,900
20	60	240	96	79	15	33	M8	30,5	20	60	G 1	117	6	15	178	3,900

CONNECTOR WIRING

Analog setpoint version

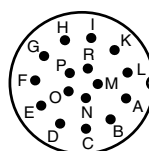
view direction " V "
(solder side of female connector)



- 1 - Power + 24V ±10%
- 2 - GND (Power)
- 3 - Input setpoint
- 4 - GND (Input)
- 5 - Output voltage stabilised 12 V, max. 30 mA
- 6 - Actual pressure (sensor output) (signal 0-10 V for the max. control range - max. 10 mA)
- 7 - Not connected (standard)
As option: pressure switch output connection NPN or PNP (max. 500 mA)

Digital setpoint version

view direction " V "
(solder side of female connector)



- A - Power +24V ±10%
- B - GND (Power)
- C - Bit 1 (LSB)
- D - Bit 2
- E - Bit 3
- F - Bit 4
- G - Bit 5
- H - Bit 6
- I - Bit 7
- K - Bit 8 (MSB)
- L - Memory function (option 010537)
Pressure reset (option 010606)
- M - Not connected (standard)
As option: pressure switch output connection NPN or PNP (max. 500 mA)
- N - Not connected
- O - Not connected
- P - Pressure signal (pressure sensor output 0 - 10V for the pressure range in question)
- R - Not connected

All leaflets are available on: www.asconumatics.com

P300-2

Pneutrol International Ltd are Platinum Distributors for ASCO Numatics

Contact us : 5 Caulside Drive, Antrim, Northern Ireland, BT41 2DU www.valves-direct.com sales@pneutrol.com Tel: +44 (0) 28 9448 1800