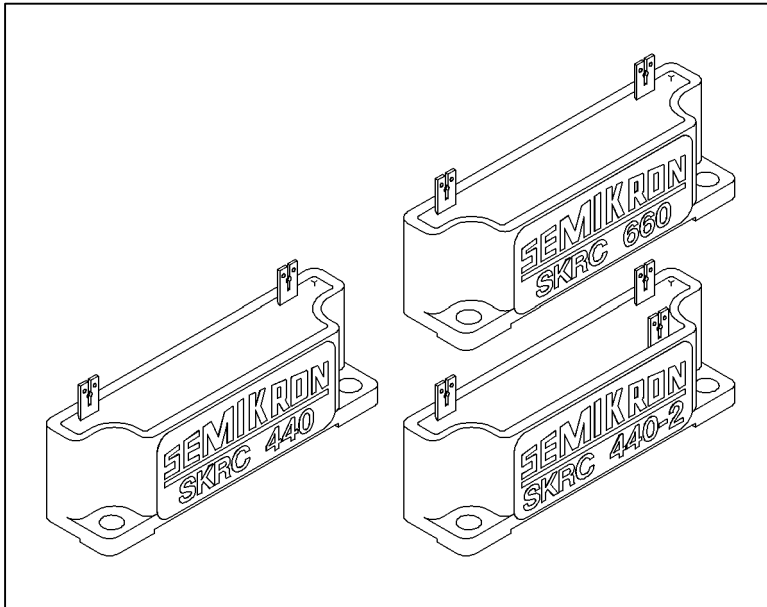


# SEMIKRON

## innovation+service



SKRC 440/660 are economic RC Snubber Networks for up to 500A RMS load current applications. The modules are primarily designed to limit the rate of rise of voltage spikes which may exceed the Dv/Dt rating of SCR's. Besides protection, the module will also assist in latching SCR's used for low level inductive load currents.

The SKRC Module can also be supplied incorporating an optional MOV \* (Metal Oxide Varistor) forming an excellent protection unit for semiconductor devices against high energy level voltage spikes. The packaging concept allows modules to be mounted directly alongside SEMIPACKS and the electrical connections are made using 2.8mm push on connectors.

SKRC 440  
SKRC 440-2  
SKRC 660  
Dv/Dt  
SNUBBER  
NETWORKS

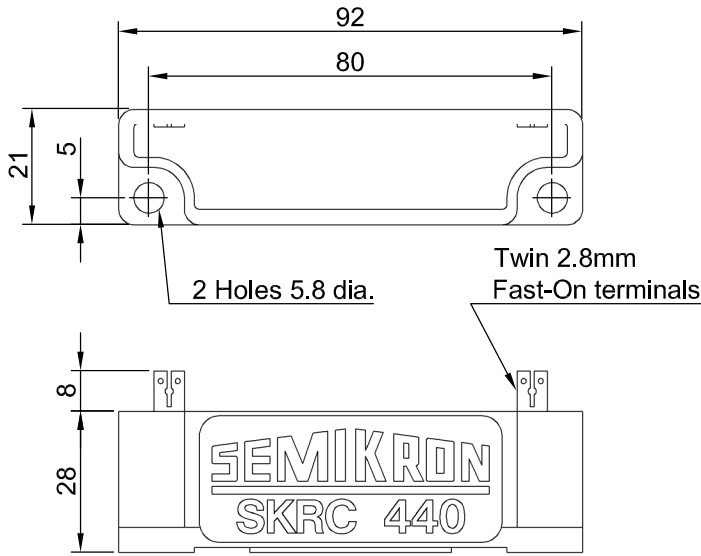
### Features

- Low Cost
- 660V operation
- 440V operation
- MOV option \*
- Compact Dimensions
- Semipack Semistack Compatible
- Encapsulated Module
- Easy Mounting
- UL Approved Materials

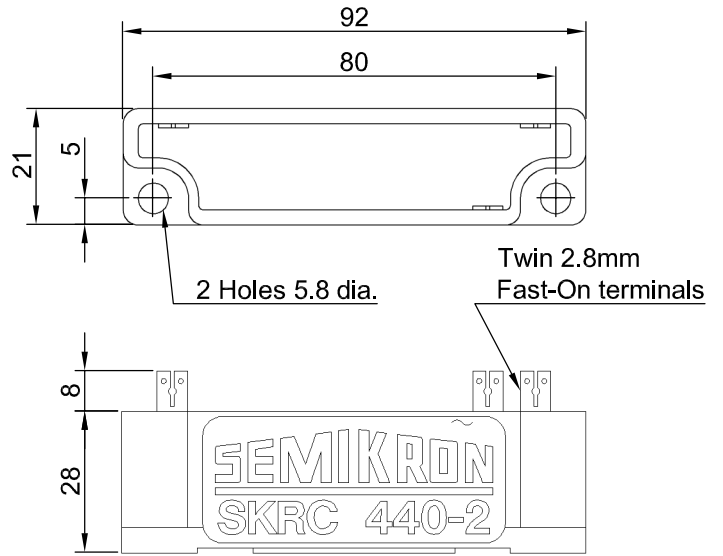
\* To Special Order Only

Dv/Dt Suppression - will protect SCR's with Dv/Dt rating of 100V/uS nom.	
Operating Voltages	SKRC 440 / SKRC440-2 = 440V RMS $\pm$ 10% SKRC 660 = 660V RMS $\pm$ 10%
Operating Frequency	50/60Hz
MOV (optional)	22-100 Joules
Weight	75 grammes
Temperature Range	-40°C to +50°C
Mounting Holes	80mm centres, M5 screws
Packing Encapsulation Materials	UL94-VO

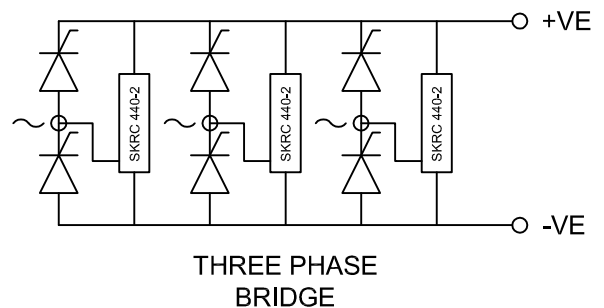
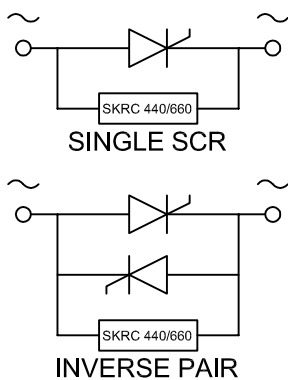
### SKRC 440 & 660 Module Dimensions



### SKRC 440-2 Module Dimensions



### TYPICAL APPLICATIONS



### Order Code

SKRC 440	Unit with Single RC Network
SKRC 440-2	Unit with Double RC Network
SKRC 660	Unit with Single RC Network

For MOV option state Joule rating required and system voltage.  
Special Order Only.

# SEMIKRON

4 MARSHGATE DRIVE  
HERTFORD SG13 7BQ

Tel. 01992 584677  
Fax: 01992 554942