

Hydro-electric pressure switch

Type HED 8

RE 50061

Edition: 2015-06

Replaces: 02.12



TB0004+TB0040

- ▶ Component series 2X
- ▶ Max. operating pressure 630 bar



Features

- ▶ For subplate mounting/pipeline installation
- ▶ For flange connection according to ISO 16873
- ▶ As vertical stacking element in connection with sandwich plates according to ISO 4401
- ▶ 5 pressure ratings
- ▶ 4 adjustment types:
 - Spindle with/without protective cap
 - Spindle with scale, with/without protective cap
 - Rotary knob with scale
 - Lockable rotary knob with scale
- ▶ Electrical connection
 - With valve connector of design A (large cubic connector)
 - with M12 x 1 connector
- ▶ Micro switch with NC/NO contact function
- ▶ Potential-free switching of currents from 1 mA to 2 A
- ▶ UL approval for pressure ranges up to 350 bar

Contents

Features	1
Ordering data	2
Function, section, symbol	3
Technical data	4
Characteristic curves: Switching pressure differential	6
Dimensions	7
Installation information	10
Ordering code: Sandwich plate size 6	12
Symbols, variant no.: Sandwich plate size 6	12
Dimensions: Sandwich plate size 10	13
Ordering code: Sandwich plate size 10	14
Symbols, variant no.: Sandwich plate size 10	14
Dimensions: Sandwich plate size 10	15
Electrical connection	16
Mating connectors	16
Further information	16

Ordering data

01	02	03	04	05	06	07	08
HED8		-	2X	/			*

01	Piston type pressure switch	HED8
02	Flange connection (ISO 16873)1)	OH
	Subplate mounting	OP
	Pipeline installation	OA
03	Component series 60 ... 69 (60 ... 69: unchanged installation and connection dimensions)	2X
04	Max. pressure rating 50 bar	50
	Max. pressure rating 100 bar	100
	Max. pressure rating 200 bar	200
	Max. pressure rating 350 bar	350
	Max. pressure rating 630 bar	630

Electrical connection

05	Individual connection	
	Without mating connector; connector DIN EN 175301-803	K14 ³⁾
	Without mating connector; connector IEC 61076-2-101, M12 x 1, A-coding	K35 ³⁾

Adjustment type

06	Spindle with internal hexagon, without scale, without protective cap	no code
	Spindle with internal hexagon, without scale, with protective cap, sealing	S
	Spindle with scale, without protective cap	A ⁵⁾
	Spindle with scale, with protective cap	AS ⁵⁾
	lockable rotary knob with scale	KS ^{4; 5)}
	Rotary knob with scale	KW ⁵⁾

Seal material

07	NBR seals	no code
	FKM seals	V
	Low-temperature seal (max. 315 bar)	MT
	Observe compatibility of seals with hydraulic fluid used! (Other seals upon request)	
08	Further details in the plain text	

- 1) Sandwich plate for vertical stacking, separate order, see accessories
- 2) Not permissible for vertical stacking, not with low-temperature seal, without UL approval
- 3) Mating connectors, separate order, see accessories
- 4) H-key, material no. **R900008158**, is included in the scope of delivery
- 5) The exact setting of the switching pressure is only possible using a pressure gauge (scale is used as orientation)

Accessories

- ▶ Sandwich plates for vertical stacking see page 12 and 14.
- ▶ Mating connectors for the electrical connection see page 16.

Function, section

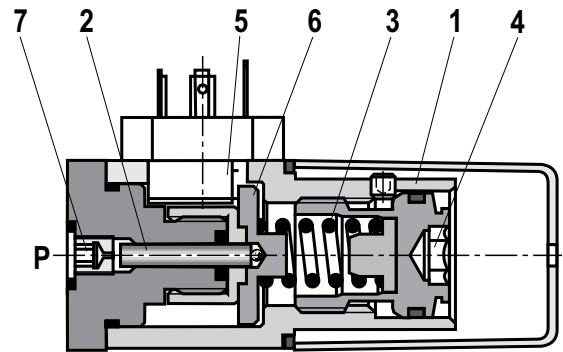
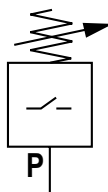
The hydro-electric pressure switch type HED 8 is a piston type pressure switch. It basically comprises of housing (1), installation kit with piston (2), compression spring (3), adjustment element (4) and micro switch (5).

If the pressure to be monitored is below the set pressure, the micro switch (5) is operated. The pressure to be monitored is applied via the nozzle (7) at the piston (2). The piston (2) is supported by the spring plate (6) and acts against the continuously adjustable force of the compression spring (3). The spring plate (6) transmits the movement of the piston (2) onto the micro switch (5) and releases the latter when the set pressure is reached. This switches the electric circuit on or off, depending on the circuit set-up. The mechanical positive stop of the spring plate (6) protects the micro switch (5) in case of a sudden pressure drop from mechanical destruction and, in case of overpressure, prevents solid compression of the compression spring (3).

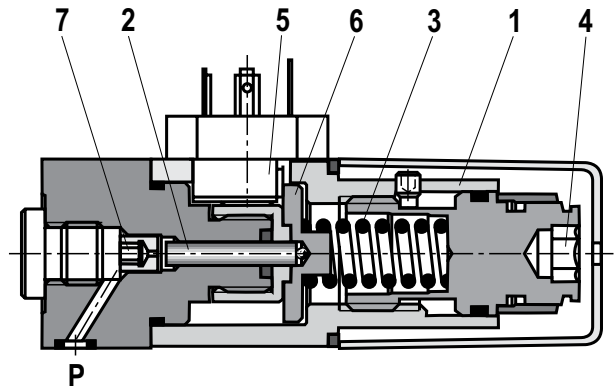
Notes:

In order to increase the life cycle, the pressure switch should be mounted with low vibrations and protected from hydraulic pressure surges.

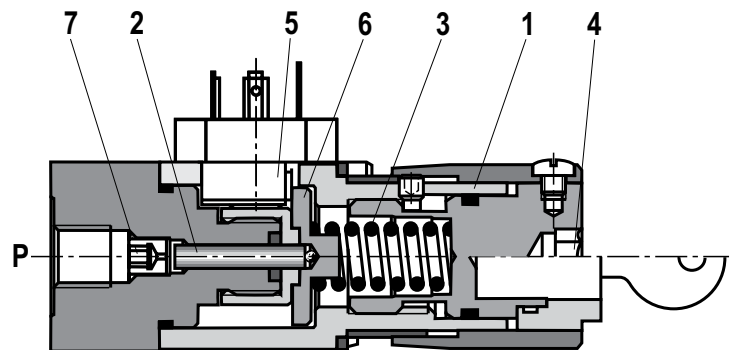
Symbol



Type HED 8 **OH-2X/...K14**
Type HED 8 **OH-2X/...K14S**



Type HED 8 **OP-2X/...K14A**
Type HED 8 **OP-2X/...K14AS**



Type HED 8 **OA-2X/...K14KW**
Type HED 8 **OA-2X/...K14KS**

Technical data

(For applications outside these parameters, please consult us!)

General	
Mass	kg 0.8
Installation position	any
Ambient temperature range	°C -25 to +50 (NBR seals) -20 to +50 (FKM seals) -40 to +50 (low-temperature seals)
Sine test according to DIN EN 60068-2-6:1996-05	5...2000 Hz, max. 10 g, 10 double cycles
Transport shock according to DIN EN 60068-2-27:1995-03	15 g / 11 ms
Bump test according to DIN EN 60068-2-29:1995-03	25 g / 6 ms
Noise test according to DIN EN 60068-2-64:1996-05	20...2000 Hz 10...30 min
Conformity	<ul style="list-style-type: none"> ▶ CE DIN EN 61058-1: 2002 / A2: 2008 DIN EN 60947-1: 2007 / A1: 2011 DIN EN 60947-5-1: 2004 / A1: 2009 DIN EN 60529: 1991 / A2: 2013 ▶ UL UL 508 17th edition File No E223220 (up to 350 bar) ▶ CCC GB 14048.5-2008

Hydraulic							
Pressure rating	bar	50	100	200	350	630	
Max. operating pressure							
Conformity	<ul style="list-style-type: none"> ▶ NBR/FKM seals ▶ MT version 	bar	350	350	350	400	630
Pressure adjustment range (decreasing)	bar	5...50	10...100	15...200	25...350	40...630	
Pressure differential per rotation ¹⁾	bar	≈19	≈35	≈77	≈120	≈214	
Hydraulic fluid ¹⁾		see table below					
Hydraulic fluid temperature range (at the valve operating ports)	°C	-25 ... +80 (NBR seals) -20 ... +80 (FKM seals) -40 ... +80 (low-temperature seals)					
Viscosity range	mm ² /s	10 ... 800					
Maximum permissible degree of contamination of the hydraulic fluid, cleanliness class according to ISO 4406 (c)		Class 20/18/15 ²⁾					
Load cycles		≥ 5 million					

Hydraulic fluid	Classification	Suitable sealing materials	Standards	Data sheet
Mineral base oils	HL, HLP, HLPD, HVLP, HVLPD	NBR, FKM low-temperature seals	DIN 51524	90220
Bio-degradable	▶ Insoluble in water	HETG	ISO 15380	90221
		HEES		
	▶ Soluble in water	HEPG	ISO 15380	
Flame-resistant	▶ Water-free	HFDU, HFDR	ISO 12922	90222
	▶ Containing water	HFC (Fuchs Hydrotherm 46M, Petrofer Ultra Safe 620)	ISO 12922	90223



Important information on hydraulic fluids:

- ▶ For more information and data about the use of other hydraulic fluids, refer to data sheets above or contact us!
- ▶ There may be limitations regarding the technical valve data (temperature, pressure range, life cycle, maintenance intervals, etc.).
- ▶ The flash point of the hydraulic fluid used must be 40 K higher than the maximum solenoid surface temperature.

▶ Flame-resistant – contains water:

- Maximum pressure differential per control edge 50 bar
- Pressure pre-loading at the tank port > 20% of the pressure differential, otherwise increased cavitation
- Life cycle as compared to operation with mineral oil HL, HLP 50 to 100%

- ▶ **Bio-degradable and flame-resistant:** When using these hydraulic fluids that are simultaneously zinc-solvent, zinc may accumulate (700 mg zinc per pole tube).

Technical data

(For applications outside these parameters, please consult us!)

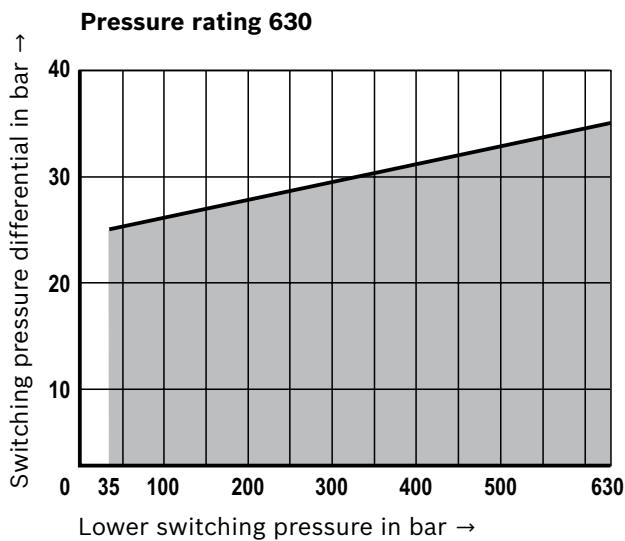
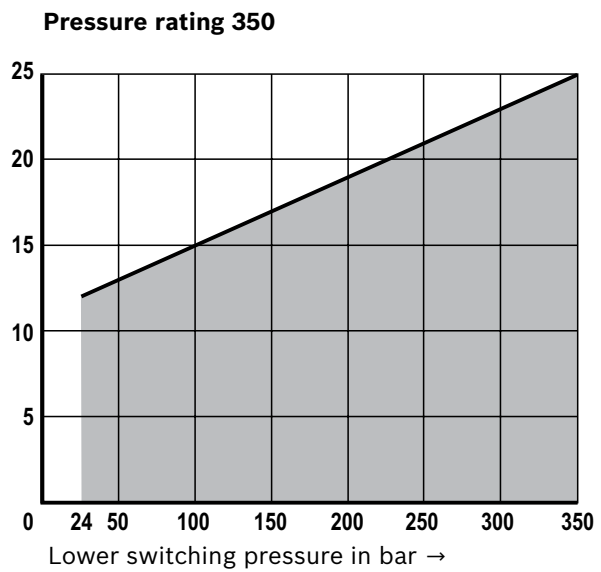
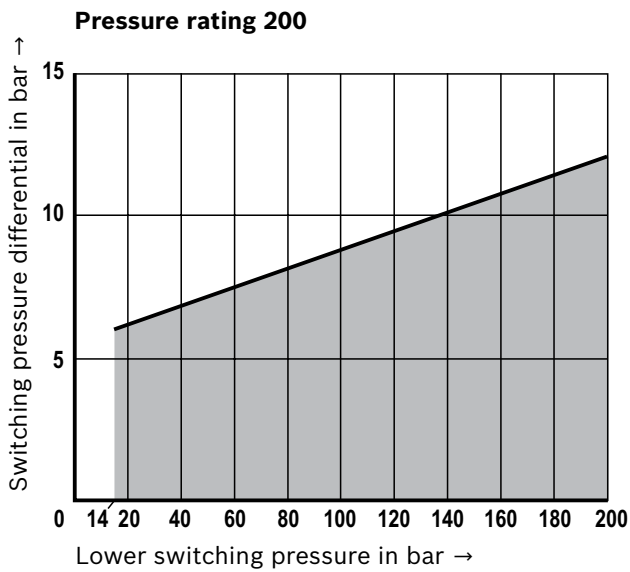
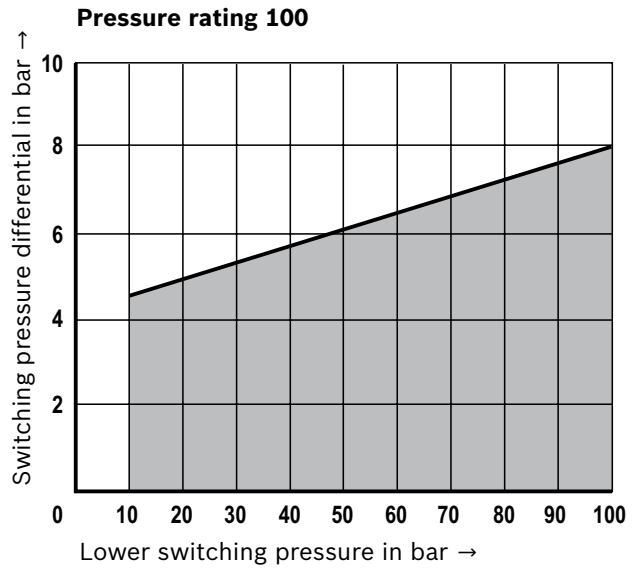
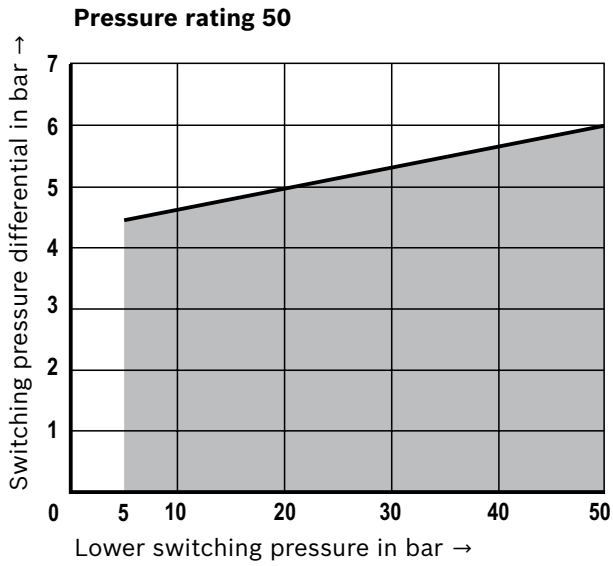
Electrical		
Electrical connection	▶ with "K14" connector	EN 175301-803, 3-pole + PE
	▶ with "K35" connector	IEC 61076-2-101, M12 x 1, A-coding, 4-pole
Protection class according to DIN EN 60529	▶ with "K14" connector	IP 65 with mating connector fitted and screwed in place
	▶ with "K35" connector	IP 67 with mating connector fitted and screwed in place
Maximum switching frequency	1/h	7200
Switching accuracy (repetition accuracy)		< ± 1% of the set pressure
Switches		according to VDE 0630-1/DIN EN 61058-1
Transition resistance	mΩ	< 50
Insulation coordination		Overvoltage category 3
Contamination		Degree of contamination 3
Bounce time	▶ ON	ms < 5
	▶ OFF	ms < 5
Minimum current	mA	1.0 with 24 V DC
Maximum current	▶ with "K14" connector	A 0.5 at 50 V DC, inductive 0.2 at 125 V DC, inductive 0.1 at 250 V DC, inductive 2.0 at 250 V AC
	▶ with "K35" connector	A 0.5 with 48 V DC, inductive 2.0 with 48 V DC, ohmic load

Switching power			
Switching cycles	Voltage U in V	Ohmic load max. in A	Inductive load, max. in A
with "K14" connector			
2 million	250, AC	2 A for 2 million circuits	0,5 A, cos. ϕ = 0,6 for 2 mil. circuits
With "K14" and "K35" connectors			
2 million	24, DC	2 A for 2 million circuits	0.5 A for 2 million circuits
5 million	24, DC	5.0 mA for 5 million circuits	–

- 1) Direction of rotation:
- clockwise → set pressure increase
 - anti-clockwise → set pressure decrease

- 2) The cleanliness classes specified for the components must be adhered to in hydraulic systems. Effective filtration prevents faults and at the same time increases the life cycle of the components. For the selection of the filters see www.boschrexroth.com/filter.

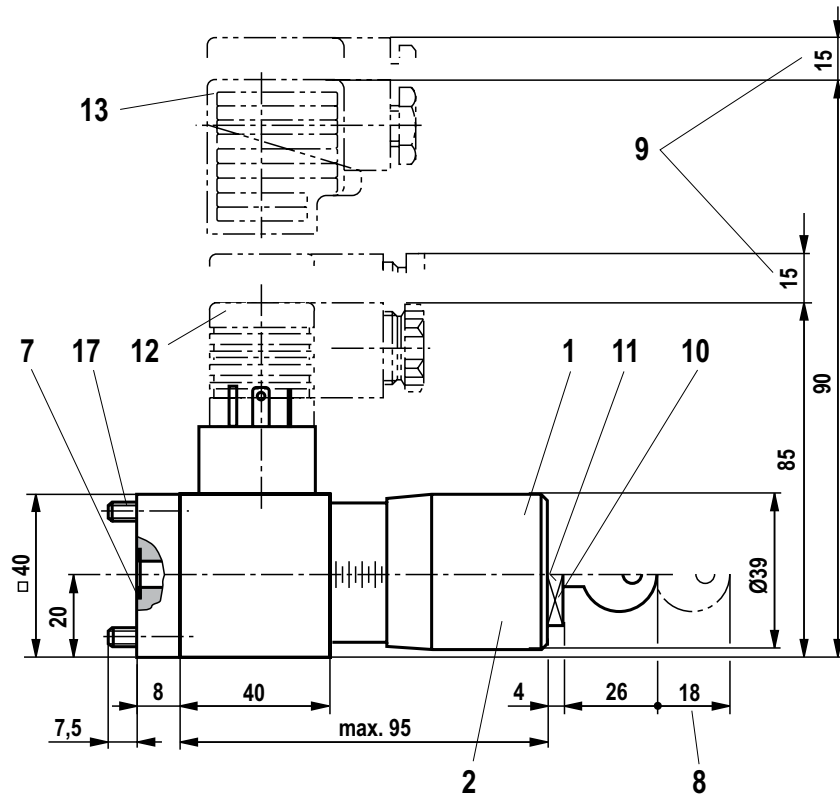
Characteristic curves: Switching pressure differential
(measured with HLP46, $\vartheta_{oil} = 40 \pm 5 \text{ }^\circ\text{C}$)



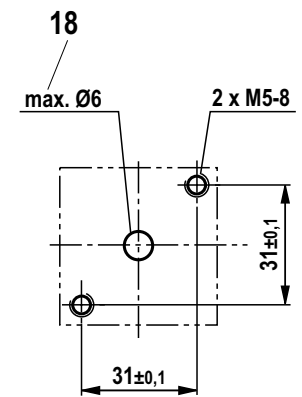
Notes:

The switching pressure differential may increase within the course of the life cycle due to the deterioration of the oil quality and the number of load cycles.

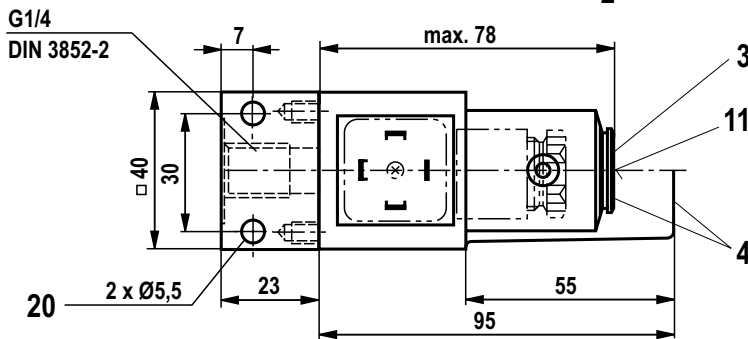
Dimensions: Type HED 8 ...K14
(dimensions in mm)



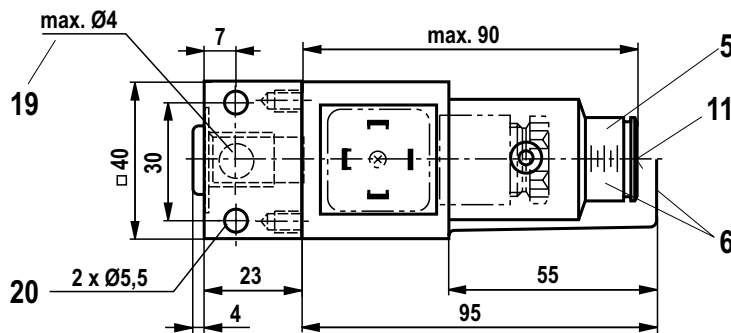
Type HED 8 OH...



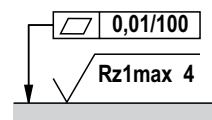
Connection dimensions



Type HED 8 OA...



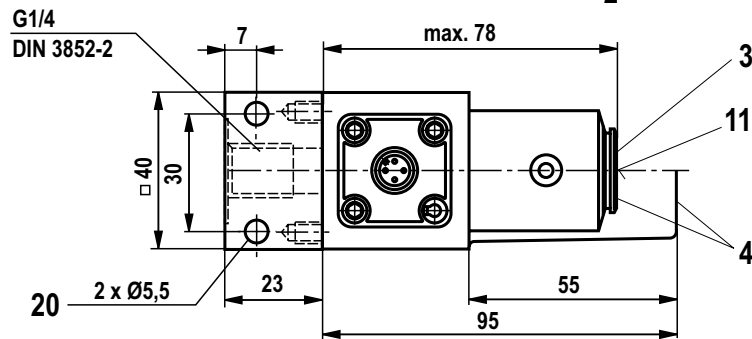
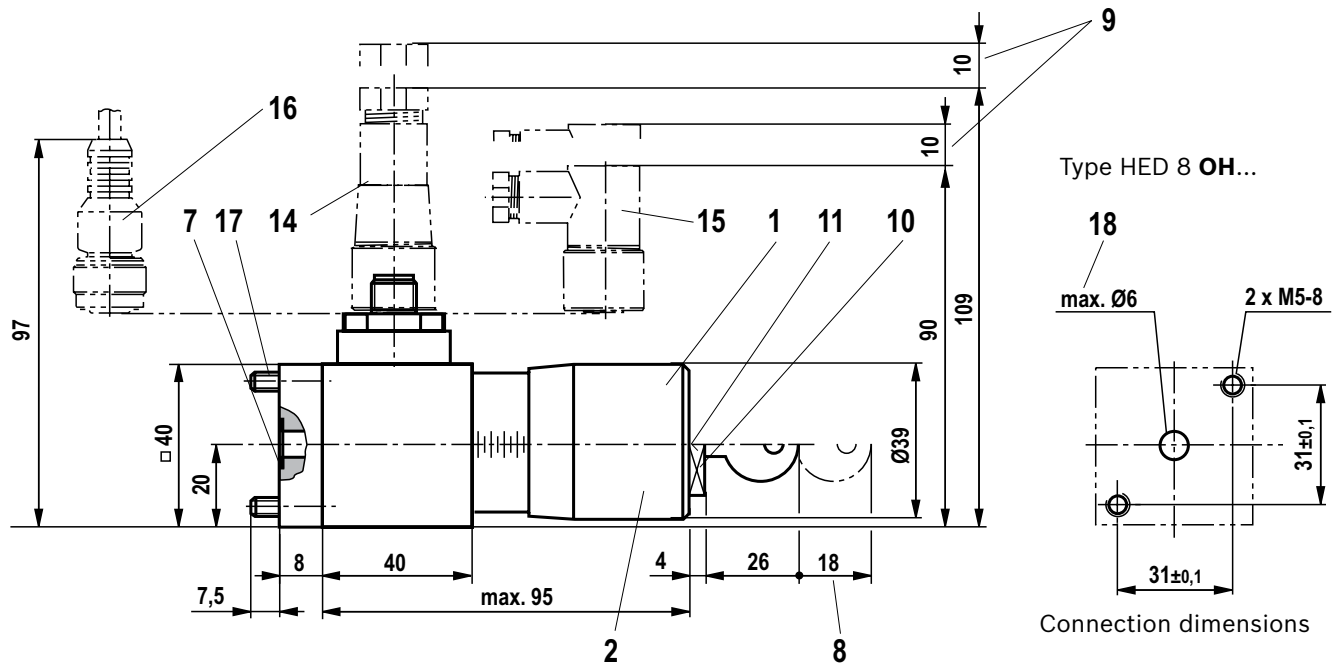
Type HED 8 OP...



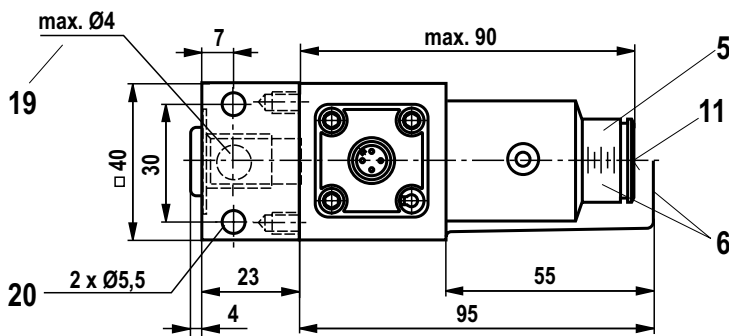
Required surface quality of the device contact surface (for "OH" and "OP" designs)

For item explanations see page 9.

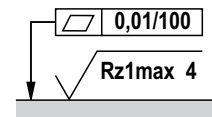
Dimensions: Type HED 8 ...K35
(dimensions in mm)



Type HED 8 OA...



Type HED 8 OP...



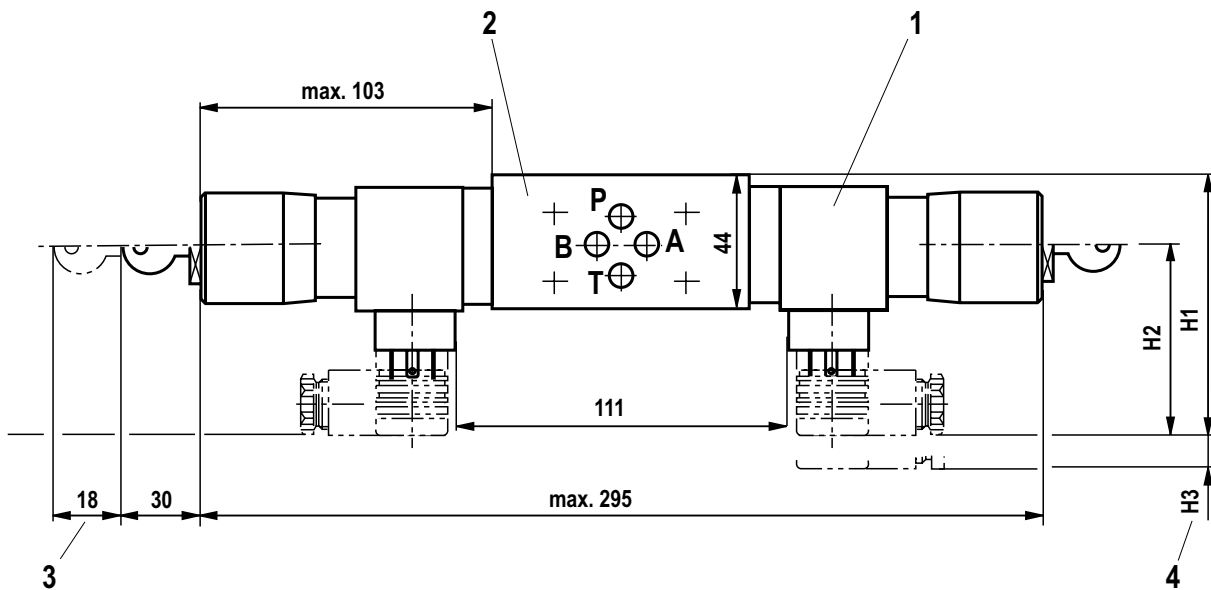
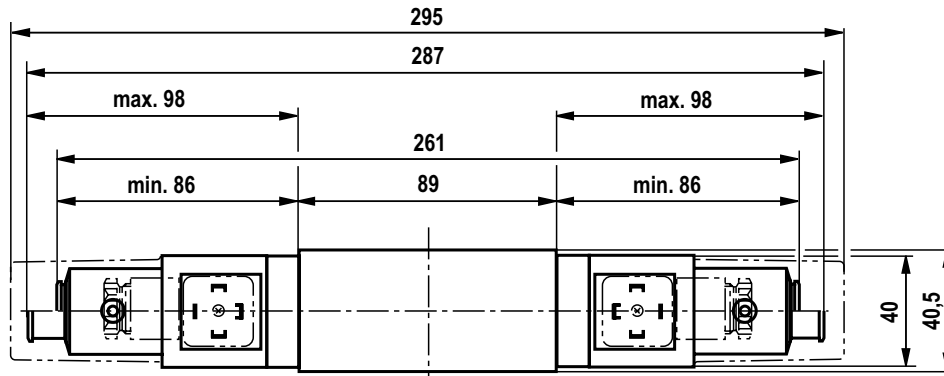
Required surface quality of the device contact surface (for "OH" and "OP" designs)

For item explanations see page 9.

Dimensions

- 1 Adjustment type "KW"
- 2 Adjustment type "KS"
- 3 Adjustment type "-"
- 4 Adjustment type "S"
- 5 Adjustment type "A"
- 6 Adjustment type "AS"
- 7 Seal ring
- 8 Space required to remove the key
- 9 Space required to remove the mating connector
- 10 Hexagon SW27 (with adjustment type "KS")
- 11 Internal hexagon SW10
- 12 Mating connector **without** circuitry for "K14" connection (separate order see page 16)
- 13 Mating connector **with** circuitry for "K14" connection (separate order, see page 16)
- 14 Mating connector for "K35" connection (separate order see page 16)
- 15 Mating connector suitable for "K35", angled (separate order see page 16)
- 16 Mating connector for "K35" connection with cable (separate order see page 16)
- 17 **Valve mounting screw** (separate order) for type HED 8 OH...
2 hexagon socket head cap screws metric
ISO 4762 - M5 x 55 - 10.9-fIZn-240h-L
 Friction coefficient $\mu_{\text{total}} = 0.09$ to 0.14 ,
 Tightening torque $M_A = 6^{+0.5}$ Nm,
 Material no. **R913000261**
- 18 Maximum diameter of the counterpart connection bore (type HED 8 OH...)
- 19 Maximum diameter of the counterpart connection bore (type HED 8 OP...)
- 20 **Valve mounting screws** (separate order) for type HED 8 OA... and ...OP...
2 hexagon socket head cap screws metric
ISO 4762 - M5 x 50 - 10.9-fIZn-240h-L
 Friction coefficient $\mu_{\text{total}} = 0.09$ to 0.14 ,
 Tightening torque $M_A = 7^{+0.5}$ Nm,
 Material no. **R913000064**

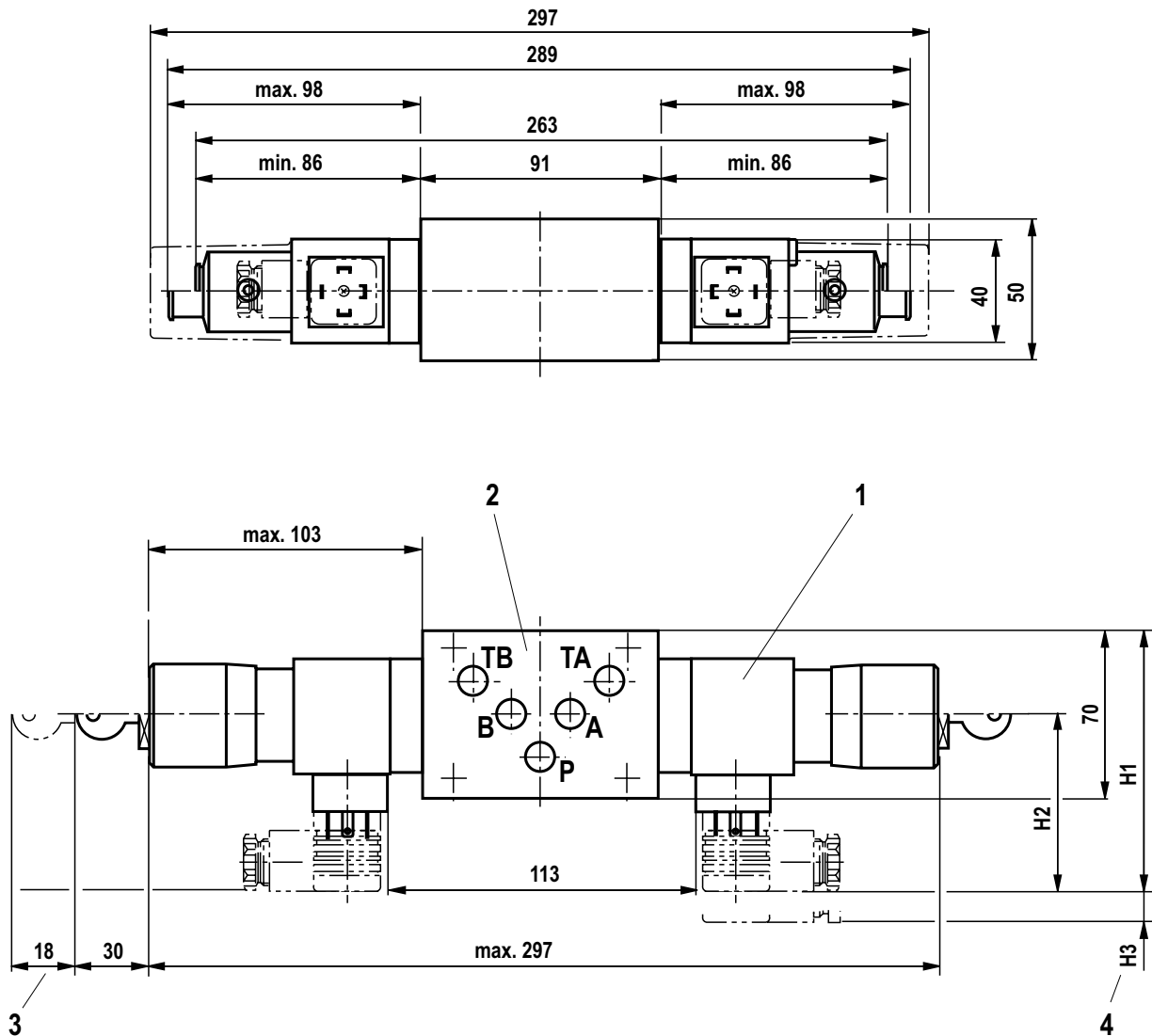
Installation information: Type HED 8 OH... in vertical stacking NG6
(dimensions in mm)



- 1 Pressure switch HED 8 OH... for use in stacking assemblies (can be assembled staggered by 4 x 90°)
The mounting option of the pressure switch depends on the set-up of the next stacking assembly subplate.
- 2 Sandwich plate type HSZ 06A... for use of the pressure switch as stacking element (see page 12)
- 3 Space required to remove the key
- 4 Space required to remove the mating connector

Mating connector	H1	H2	H3
"K14" connection, without circuitry	87	65	15
"K14" connection, with circuitry	92	70	15
"K35" connection, angled	92	70	10
"K35" connection, straight	111	89	10

Installation information: Type HED 8 OH... in vertical stacking NG10
(dimensions in mm)



- 1 Pressure switch HED 8 OH... for use in stacking assemblies (can be assembled staggered by 4 x 90°)
The mounting option of the pressure switch depends on the set-up of the next stacking assembly subplate.
- 2 Sandwich plate type HSZ 10A... for use of the pressure switch as stacking element (see page 14)
- 3 Space required to remove the key
- 4 Space required to remove the mating connector

Mating connector	H1	H2	H3
"K14" connection, without circuitry	100	65	15
"K14" connection, with circuitry	105	70	15
"K35" connection, angled	105	70	10
"K35" connection, straight	124	89	10

Ordering code: Sandwich plate size 6 (separate order)

01	02	03	04	05	06	08
HSZ	06	A	-	3X	/	00 *

01	Sandwich plate	HSZ
02	Size 6	06
03	Porting pattern according to ISO 4401-03-02-0-05	A
04	Variant no. (see below)	6..
05	Component series 30 ... 39 (30 ... 39: unchanged installation and connection dimensions)	3X

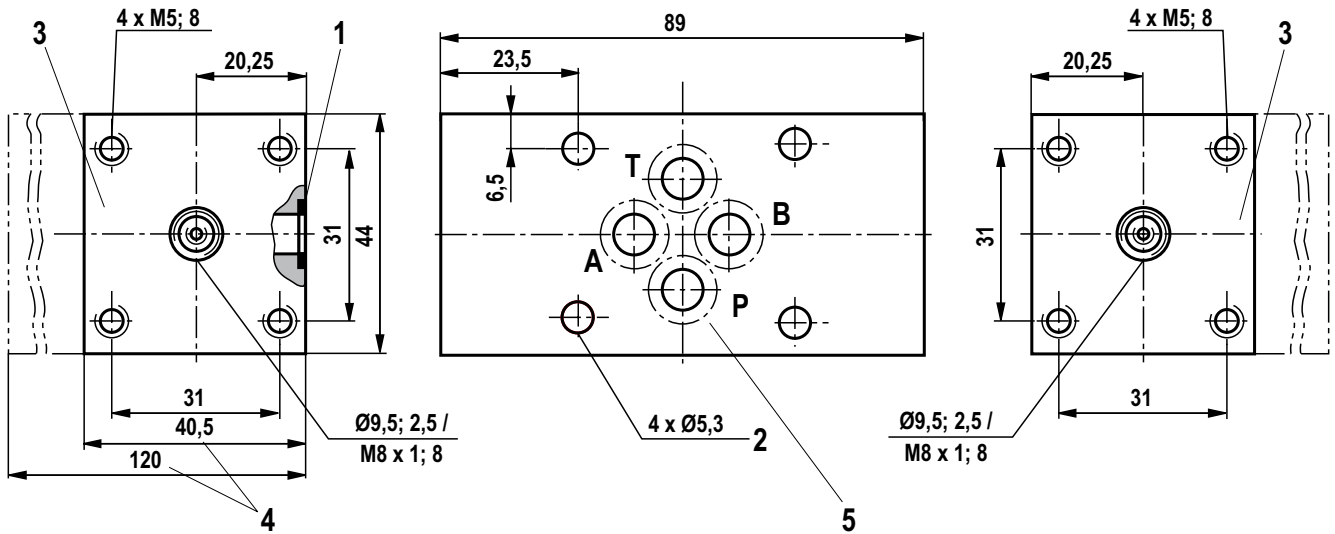
Seal material

06	NBR seals	no code
	FKM seals	V
	Low-temperature seal (max. 315 bar)	MT
	Observe compatibility of seals with hydraulic fluid used! (Other seals upon request)	
07	Further details in the plain text	

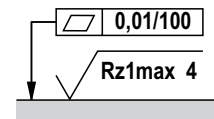
Symbols, variant no.: Sandwich plate size 6 (① = component side, ② = plate side)

		Pressure switch effective in channel...			
Variant number	Plate height	Mass			
	608	40.5 mm	0.8 kg		
120 mm		3.0 kg			
609	40.5 mm	0.8 kg			
	120 mm	3.0 kg			
601	40.5 mm	0.8 kg			
	120 mm	3.0 kg			
602	40.5 mm	0.8 kg			
	120 mm	3.0 kg			
603	40.5 mm	0.8 kg			
	120 mm	3.0 kg			
604	40.5 mm	0.8 kg			
	120 mm	3.0 kg			
605	40.5 mm	0.8 kg			
	120 mm	3.0 kg			
606	40.5 mm	0.8 kg			
	120 mm	3.0 kg			
607	40.5 mm	0.8 kg			
	120 mm	3.0 kg			
610	40.5 mm	0.8 kg			
	120 mm	3.0 kg			
611	40.5 mm	0.8 kg			
	120 mm	3.0 kg			
612	40.5 mm	0.8 kg			
	120 mm	3.0 kg			
613	40.5 mm	0.8 kg			
	-	-			

Dimensions: Sandwich plate size 10 for type HED 8 OH... as vertical stacking element (up to 350 bar)
(dimensions in mm)



- 1 Seal ring
- 2 Through hole for valve mounting
- 3 Screw-on surface for pressure switch
- 4 Plate height 40.5 mm or 120 mm, optional
- 5 Porting pattern according to ISO 4401-03-02-0-05



Required surface quality of the plate contact surface

Ordering code: Sandwich plate size 10 (separate order)

01	02	03	04	05	06	08
HSZ	10	A	-	3X	/	00 *

01	Sandwich plate	HSZ
02	Size 10	10
03	Porting pattern according to ISO 4401-03-02-0-05	A
04	Variant no. (see below)	6..
05	Component series 30 ... 39 (30 ... 39: unchanged installation and connection dimensions)	3X

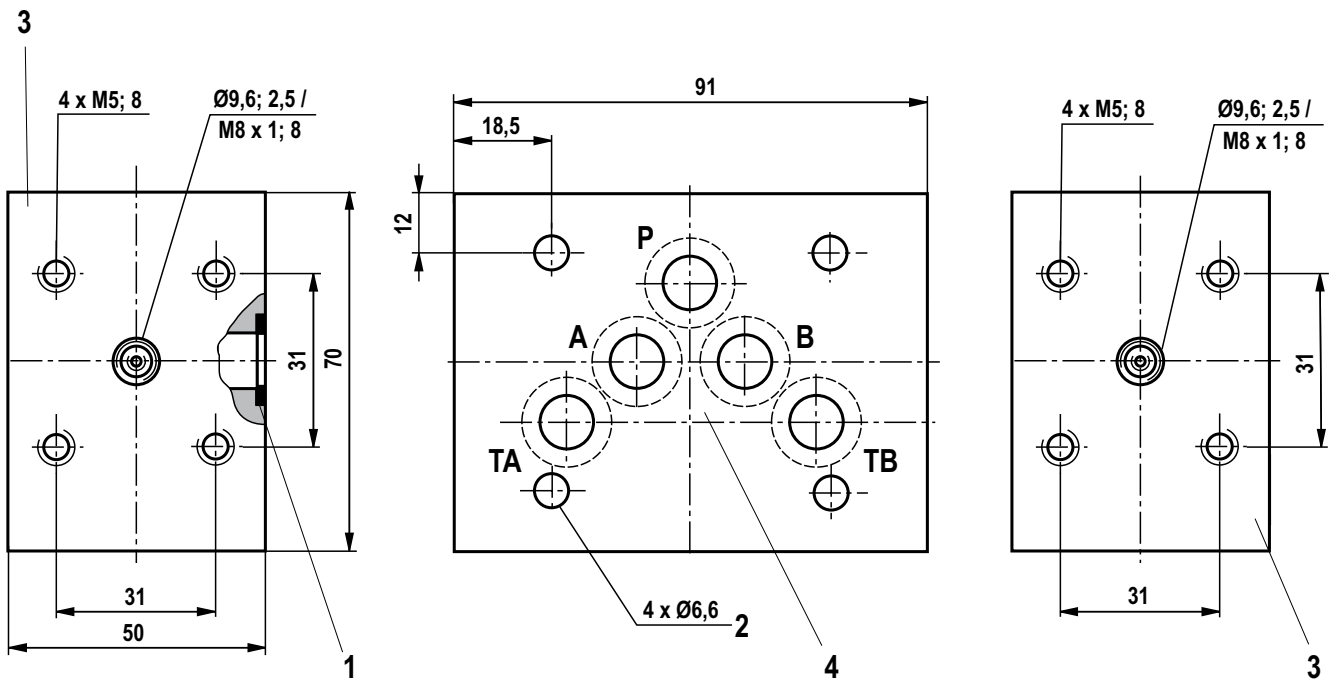
Seal material

06	NBR seals	no code
	FKM seals	V
	Low-temperature seal (max. 315 bar)	MT
	Observe compatibility of seals with hydraulic fluid used! (Other seals upon request)	
07	Further details in the plain text	

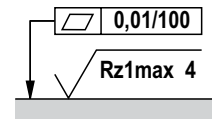
Symbols, variant no.: Sandwich plate size 10 (① = component side, ② = plate side)

		Pressure switch effective in channel...		
Variant number	Mass			
	2 kg	601	602	603
Variant number	2 kg			
	2 kg	604	605	606
Variant number	2 kg			
	2 kg	607	608	609
Variant number	2 kg			
	2 kg	610	611	612

Dimensions: Sandwich plate size 10 for type HED 8 OH... as vertical stacking element (up to 350 bar)
(dimensions in mm)



- 1 Seal ring
- 2 Through hole for valve mounting
- 3 Screw-on surface for pressure switch
- 4 Porting pattern according to ISO 4401-05-04-0-05



Required surface quality of the plate contact surface

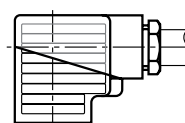
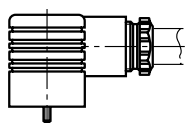
Electrical connection according to DIN EN 175301-803

"K14" without indicator light	"K14" with indicator light	"K35"
	<p>Mating connectors</p>	
<p>Switching function Terminals 1-2: Contact opens in case of pressure increase Terminals 1-3: Contact closes in case of pressure increase</p>		<p>Switching function Terminals 1-2: Contact opens in case of pressure increase Terminals 1-4: Contact closes in case of pressure increase</p>

Mating connectors according to DIN EN 175301-803

For connection "K14"

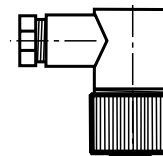
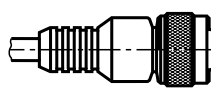
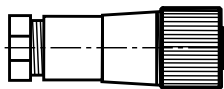
For details and more mating connectors see data sheet 08006



Color	Material number					
	Without circuitry 240 V, -40 ... +125 °C	With circuitry (indicator light) AC/DC, -20 ... +60 °C				
black	R901017012	R901017030	R901017048	R901017032	R901017035	R901017037

For "K35" connection

For details and more mating connectors see data sheet 08006



Color	Material number		
	black	4-pole, M12 x 1 with screw connection (PG9), -40 ... +85 °C R900031155	4-pole, M12 x 1 with PUR cable, 3 m long, -25 ... +85 °C R900064381

Further information

Note:

For general notes on safety, assembly or commissioning, see operating instructions:

07600-B Hydraulic valves for industrial applications

Bosch Rexroth AG
 Hydraulics
 Zum Eisengiesser 1
 97816 Lohr am Main, Germany
 Telefon +49 (0) 93 52/18-0
 documentation@boschrexroth.de
 www.boschrexroth.de

© This document, as well as the data, specifications and other information set forth in it, are the exclusive property of Bosch Rexroth AG. It may not be reproduced or given to third parties without the consent of Bosch Rexroth AG. The data specified above only serve to describe the product. No statements concerning a certain condition or suitability for a certain application can be derived from our information. This information also does not release the user from exercising his/her own judgment and conducting his/her own testing. Our products are subject to a natural process of wear and aging.